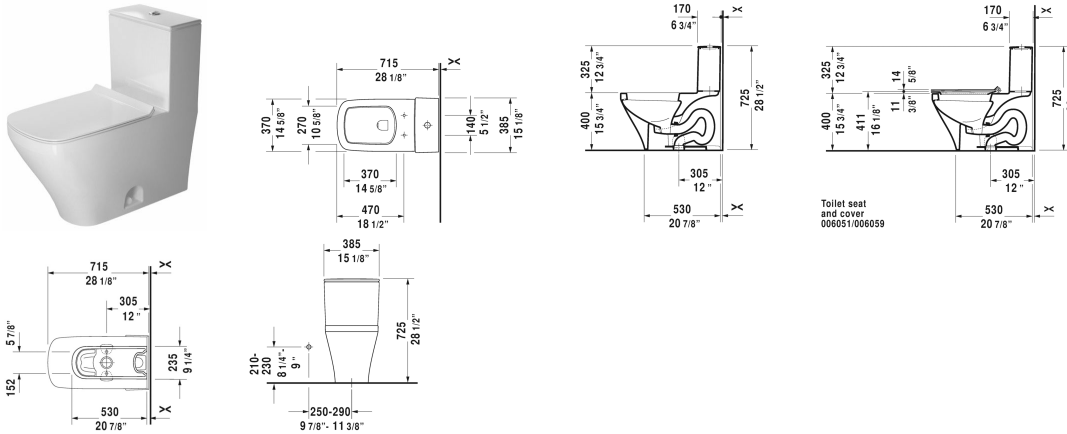


**DuraStyle One-Piece toilet # 215701..05 / 215701..05 / 215701..85 / 215701..85**

< 14 5/8" Inch >



| One-Piece toilet   | Dimension              | Weight   | Order number |
|--|------------------------|----------|--------------|
| syphonic, 12" rough-in, vertical outlet, cUPC® listed*, WaterSense® listed   |                        |          |              |
| <b>Colors</b>  |                        |          |              |
| 00 White 20 HygieneGlaze (an antibacterial ceramic glaze that provides almost indefinite effectiveness)  |                        |          |              |
| <b>Variant</b>   |                        |          |              |
| ◆ 1.32/0.92 gpf, with dual flush piston valve, top flush   | 14 5/8" x 28 3/8" Inch | 121.3 lb | 215701..05   |
| ◆ 1.32/0.92 gpf, with dual flush piston valve, top flush   | 14 5/8" x 28 3/8" Inch | 121.3 lb | 215701..05   |
| ◆ 1.28 gpf, with single flush piston valve, top flush  | 14 5/8" x 28 3/8" Inch | 121.3 lb | 215701..85   |
| ◆ 1.28 gpf, with single flush piston valve, top flush  | 14 5/8" x 28 3/8" Inch | 121.3 lb | 215701..85   |
| Sanitary ceramics with the special WonderGliss surface finish will remain clean and attractive-looking for a long time to come.<br>When ordering WonderGliss please add a "1" as eleventh digit to the model number. |                        |          |              |
| Mounting set for One-Piece and Two-Piece toilets, outlet 3/8" - male thread, wall connection 1/2" - female thread, 1/2", North American version  | 17 3/4" Inch           | 1.1 lb   | 001417       |
| <b>Suitable products</b>   |                        |          |              |
| Toilet seat and cover removable, elongated, hinges stainless steel, without slow close,  |                        |          | 006051       |
| Toilet seat and cover removable, elongated, hinges stainless steel, with slow close,   |                        |          | 006059       |

All drawings contain the necessary measurements which are subject to standard tolerances. They are stated in inch & mm and are non-



**DuraStyle One-Piece toilet # 215701..05 / 215701..05 /  
215701..85 / 215701..85**

---

|< 14 5/8" Inch >|

*binding. Exact measurements, in particular for customized installation scenarios, can only be taken from the finished ceramic piece.*