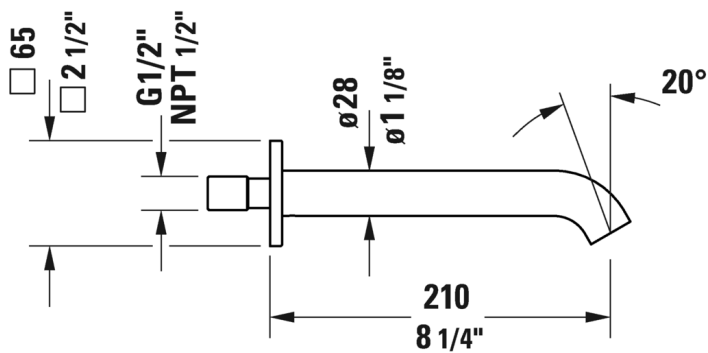


C.1 Bath spout # C15240009U10



Bath spout	Dimension	Weight	Order number
projection 8 1/8", square escutcheon			
Colors			
10 Chrome			
Variant			
Chrome finish, 1/2" NPT, 5.0 gal/min (19.0 l/min) flow rate 43.5 psi (3.0 bar), cUPC® listed*			C15240009U10

All drawings contain the necessary measurements which are subject to standard tolerances. They are stated in inch & mm and are non-binding. Exact measurements, in particular for customized installation scenarios, can only be taken from the finished ceramic piece.



C.1 Bath spout # C15240010U10



Bath spout	Dimension	Weight	Order number
projection 8 1/8", round escutcheon			
Colors			
10 Chrome			
Variant			
Chrome finish, 1/2" NPT, 5.0 gal/min (19.0 l/min) flow rate 43.5 psi (3.0 bar), cUPC® listed*			C15240010U10

All drawings contain the necessary measurements which are subject to standard tolerances. They are stated in inch & mm and are non-binding. Exact measurements, in particular for customized installation scenarios, can only be taken from the finished ceramic piece.

