

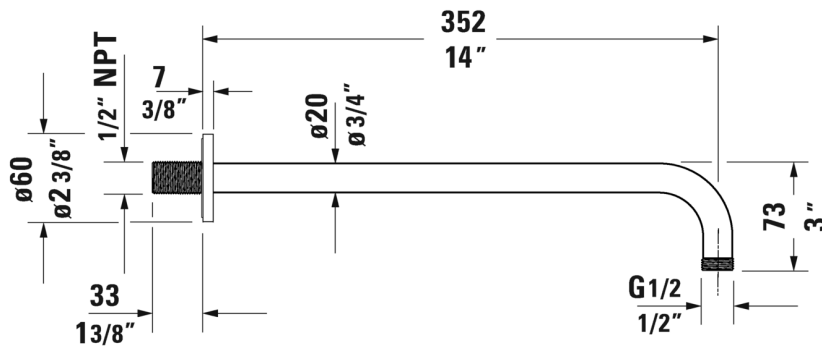
Faucet Accessories Shower arm, curved # UV0670017

| < 13 7/8" Inch > |



Shower arm, curved	Dimension	Weight	Order number
only for showerheads with size up to 9 1/2", round escutcheon, 13 7/8" Inch			
Colors			
Variant			

All drawings contain the necessary measurements which are subject to standard tolerances. They are stated in inch & mm and are non-binding. Exact measurements, in particular for customized installation scenarios, can only be taken from the finished ceramic piece.



Faucet Accessories Shower arm, angled # UV0670018

|< 13 7/8" Inch >|



Shower arm, angled	Dimension	Weight	Order number
only for showerheads with size up to 9 1/2", round escutcheon, 13 7/8" Inch			
Colors			
Variant			

All drawings contain the necessary measurements which are subject to standard tolerances. They are stated in inch & mm and are non-binding. Exact measurements, in particular for customized installation scenarios, can only be taken from the finished ceramic piece.

Faucet Accessories Shower arm # UV0670019

|< 13 7/8" Inch >|



Shower arm	Dimension	Weight	Order number
only for showerheads with size up to 9 1/2", round escutcheon, 13 7/8" Inch			
Colors			
Variant			

All drawings contain the necessary measurements which are subject to standard tolerances. They are stated in inch & mm and are non-binding. Exact measurements, in particular for customized installation scenarios, can only be taken from the finished ceramic piece.

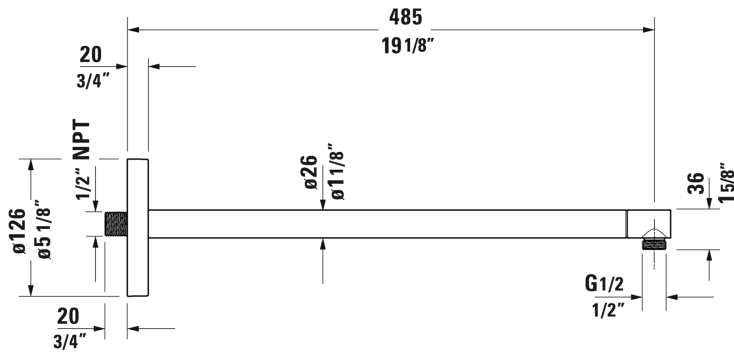
Faucet Accessories Shower arm with wall mounting plate # UV0670021

| < 19 1/8" Inch > |



Shower arm with wall mounting plate	Dimension	Weight	Order number
round escutcheon, 19 1/8" Inch			
Colors			
Variant			

All drawings contain the necessary measurements which are subject to standard tolerances. They are stated in inch & mm and are non-binding. Exact measurements, in particular for customized installation scenarios, can only be taken from the finished ceramic piece.



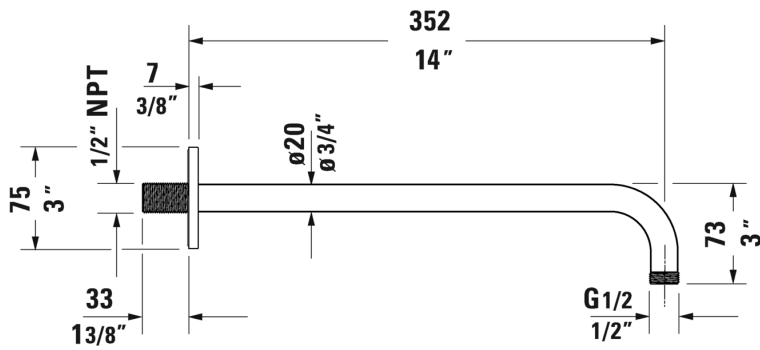
Faucet Accessories Shower arm, curved # UV0670030

| < 13 7/8" Inch > |



Shower arm, curved	Dimension	Weight	Order number
only for showerheads with size up to 9 1/2", square escutcheon, 13 7/8" Inch			
Colors			
Variant			

All drawings contain the necessary measurements which are subject to standard tolerances. They are stated in inch & mm and are non-binding. Exact measurements, in particular for customized installation scenarios, can only be taken from the finished ceramic piece.



Faucet Accessories Shower arm, angled # UV0670031

|< 13 7/8" Inch >|



Shower arm, angled	Dimension	Weight	Order number
only for showerheads with size up to 9 1/2", square escutcheon, 13 7/8" Inch			
Colors			
Variant			

All drawings contain the necessary measurements which are subject to standard tolerances. They are stated in inch & mm and are non-binding. Exact measurements, in particular for customized installation scenarios, can only be taken from the finished ceramic piece.

Faucet Accessories Shower arm # UV0670032

|< 13 7/8" Inch >|



Shower arm	Dimension	Weight	Order number
only for showerheads with size up to 9 1/2", square escutcheon, 13 7/8" Inch			
Colors			
Variant			

All drawings contain the necessary measurements which are subject to standard tolerances. They are stated in inch & mm and are non-binding. Exact measurements, in particular for customized installation scenarios, can only be taken from the finished ceramic piece.