

34 271

CONCETTO™

SINGLE HOLE SINGLE-HANDLE S-SIZE BATHROOM FAUCET 1.2 GPM LESS DRAIN

Pure Freude
an Wasser



STANDARD SPECIFICATION:

- GROHE SilkMove®
- GROHE StarLight®
- GROHE EcoJoy™
- GROHE QuickFix® installation
- 7 5/16" Faucet height (when in use)
- 3 15/16" Spout reach
- 2 9/16" Aerator height
- Solid brass body
- Single lever handle
- 23 1/2" Nylon braided flex hoses
- CALGreen/CEC compliant
- 1.2gpm (WaterSense)
- Vessel sink pop-up drain (28 754) sold separately
- Grid drain (28 951) sold separately



PRODUCT FEATURES:



-  GROHE StarLight®
-  GROHE SilkMove®
-  GROHE EcoJoy™
-  GROHE QuickFix®

CERTIFICATIONS:



- ADA
- WaterSense
- CEC Certified
- Low Lead Certified
- CALGreen Compliant
- Massachusetts Plumbing Board Approved
- Complies with lead plumbing laws

AVAILABLE FINISHES:

- 3427100A**  GROHE StarLight® Chrome
- 34271ENA**  Brushed Nickel InfinityFinish™

NOTE: Install this product according to the installation guide. ADA, CSA compliant when installed to the specific requirements of these regulations.

We reserve the right to make revisions without notice to product specifications. 12-07-2021

US
Tel: 1.630.582.7711 Fax: 1.630.582.7722
For the most current Specification Sheet,
go to www.grohe.us.

Canada
Tel: 1.888.644.7643 Fax: 1.905.366.2071
For the most current Specification Sheet,
go to www.grohe.ca.

PART OF **LIXIL**

34 271

CONCETTO™

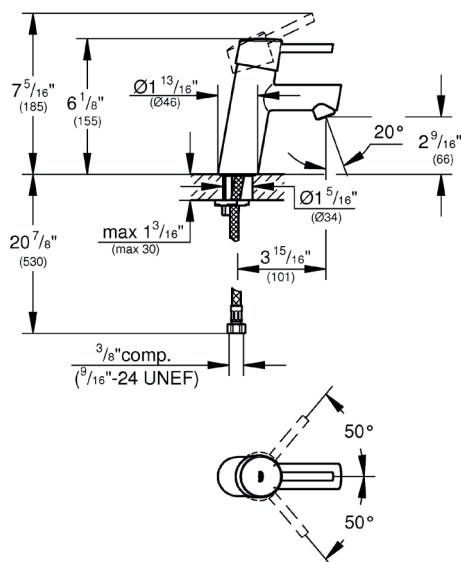
SINGLE HOLE SINGLE-HANDLE S-SIZE BATHROOM FAUCET 1.2 GPM LESS DRAIN

Pure Freude
an Wasser



TECHNICAL DATA:

Product Height	6-1/8 in
Product Length	5-3/4 in
Product Width	1-13/16 in
Fitting Spout Height	2-9/16 in
Fitting Spout Reach	3-15/16 in
Fitting Handle Height	6-1/8 in
GPM (Min)-GPM (Max)	1.2 gal (US)/min
Fitting No of Holes Required	1



34 270

CONCETTO™

SINGLE HOLE SINGLE-HANDLE S-SIZE BATHROOM FAUCET 1.2 GPM

Pure Freude
an Wasser



STANDARD SPECIFICATION:

- GROHE SilkMove®
- GROHE StarLight®
- GROHE EcoJoy™
- GROHE QuickFix® installation
- 7 5/16" Faucet height (when in use)
- 3 15/16" Spout reach
- 2 9/16" Aerator height
- Solid brass body
- Single lever handle
- 23 1/2" Nylon braided flex hoses
- CALGreen/CEC compliant
- 1.2gpm (WaterSense)



PRODUCT FEATURES:



-  GROHE StarLight®
-  GROHE SilkMove®
-  GROHE EcoJoy™
-  GROHE QuickFix®

CERTIFICATIONS:



- ADA
- WaterSense
- CEC Certified
- Low Lead Certified
- CALGreen Compliant
- Massachusetts Plumbing Board Approved
- CSA B125.1
- ASME A112.18.1
- Complies with lead plumbing laws

AVAILABLE FINISHES:

- 3427000A**  GROHE StarLight® Chrome
- 34270ENA**  Brushed Nickel InfinityFinish™

NOTE: Install this product according to the installation guide. ADA, CSA compliant when installed to the specific requirements of these regulations.

We reserve the right to make revisions without notice to product specifications. 12-07-2021

US
Tel: 1.630.582.7711 Fax: 1.630.582.7722
For the most current Specification Sheet,
go to www.grohe.us.

Canada
Tel: 1.888.644.7643 Fax: 1.905.366.2071
For the most current Specification Sheet,
go to www.grohe.ca.

PART OF **LIXIL**

