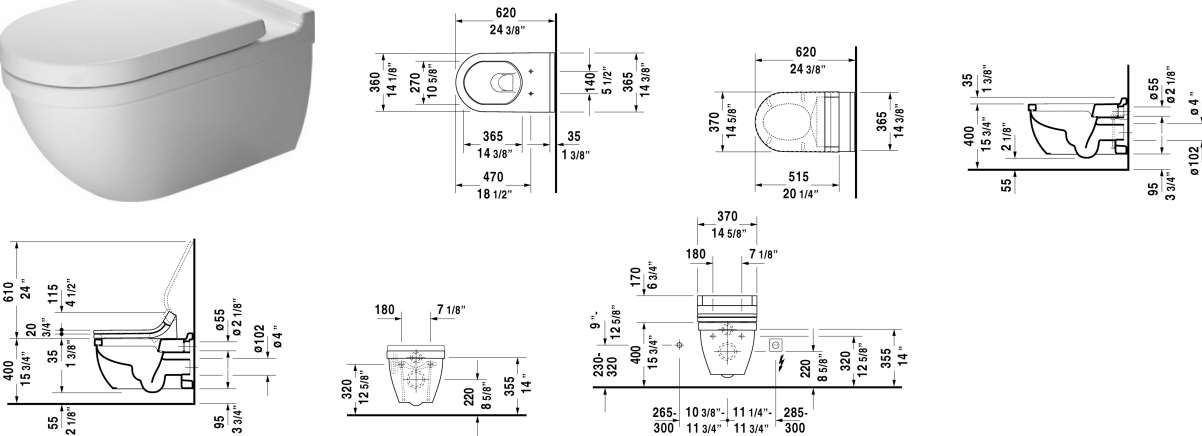



Starck 3 Toilet wall-mounted ♿ # 222609..92 / 222609..92

< 14 1/8" Inch >



Toilet wall-mounted	Dimension	Weight	Order number
washdown model, suitable for SensoWash Starck, Durafix included, cUPC® listed*, WaterSense® listed			
Colors			
00 White 20 HygieneGlaze (an antibacterial ceramic glaze that provides almost indefinite effectiveness)			
Variant			
♣ 1.6/0.8 gpf	14 1/8" x 24 3/8" Inch	64 lb	222609..92
♣ 1.6/0.8 gpf	14 1/8" x 24 3/8" Inch	64 lb	222609..92
Infobox			
Durafix for concealed installation is included, * Complies with following standards: ASME A112.19.2/CSA B45.1 and ASME A112.19.14, For suitable SensoWash® shower-toilet seats, please see matrix on page xxx, Wall-mounted toilet is ADA compliant, when installed with a seat height of 17" - 19" from the finished floor, Not available with WonderGliss, In-wall tank & carrier and actuator plate required for installation			
Noise reduction gasket for wall-mounted toilet		0.7 lb	005020
Actuator plate A1, for toilet, plastic mechanical actuation, for surface mounted installation, dual flush, mounting frame, mounting hardware included, push rods, front plate plastic	8 1/2" x 5 3/4" Inch	0.7 lb	WD5008
Toilet in-wall tank & carrier, Standard WaterSense® listed, For 2"x4" and 2"x6" wall installation, for toilets with a projection of <= 24 5/8", adjustable feet 0" - 9 1/2", SensoWash ready, mechanical front flush actuation, includes in-wall tank, marking of filling height, dual flush, insulated against condensation, Scope of delivery, HDPE wall-mounted toilet connection bend DN 90/90, PE wall-mounted toilet connection set DN 90, wall-mounted mounting rods M12, mounting hardware included, 2 bolt caps, cUPC® listed*, Load capacity = 880 lbs	23 1/4" x 45 1/4" Inch	35.3 lb	WD1022

Starck 3 Toilet wall-mounted  # 222609..92 / 222609..92

|< 14 1/8" Inch >|

Suitable products	
Toilet seat and cover elongated, hinges stainless steel, removable, with slow close,	006339
SensoWash® Starck shower-toilet seat for Starck 2, Starck 3 and Darling New* Rear-, Lady- and Comfortwash, individual adjustment of water-, air- and seat surface temperature as well as nozzle position and jet strength, power actuated lid and seat, night light, 2 individually programmable user profiles, remote control included, self-cleaning wand, on / off-button, Quick release: easy seat unit removal and attachment, 14 5/8" x 20 1/4" Inch	610000
Toilet seat ring elongated, open front, hinges plastic, without slow close,	006431
Toilet seat ring elongated, open front, hinges plastic, with slow close,	006439
Toilet seat and cover elongated, hinges stainless steel, without slow close,	006332

All drawings contain the necessary measurements which are subject to standard tolerances. They are stated in inch & mm and are non-binding. Exact measurements, in particular for customized installation scenarios, can only be taken from the finished ceramic piece.