

14467

ATRIO® PRESSURE BALANCE VALVE TRIM WITH CARTRIDGE

Pure Freude
an Wasser






STANDARD SPECIFICATION:

- GROHE StarLight®
- GROHE SilkMove®
- Metal handle
- Metal trim plate with GROHE QuickFix®
- Includes pressure balance cartridge with double ceramic technology
- Flow Rate: 5.2gpm (bottom) and 3.0 gpm (top port) at 45 psi (19 l/min)
- For use with GrohSafe 3.0 Rough-in Valve (35 110, 35 111, 35 112, 35 113, 35 114, 35 115, 35 116)



PRODUCT FEATURES:

-  GROHE StarLight®
-  GROHE SilkMove®
-  GROHE QuickFix®

CERTIFICATIONS:



- ADA
- CSA B125.1
- ASME A112.18.1

AVAILABLE FINISHES:

14467000



14467EN0



NOTE: Install this product according to the installation guide. ADA, CSA compliant when installed to the specific requirements of these regulations.

Tel: 1.630.582.7711 Fax: 1.630.582.7722

We reserve the right to make revisions without notice to product specifications.

For the most current Specification Sheet, go to www.grohe.us.

03-19-2020

PART OF **LIXIL**

14467

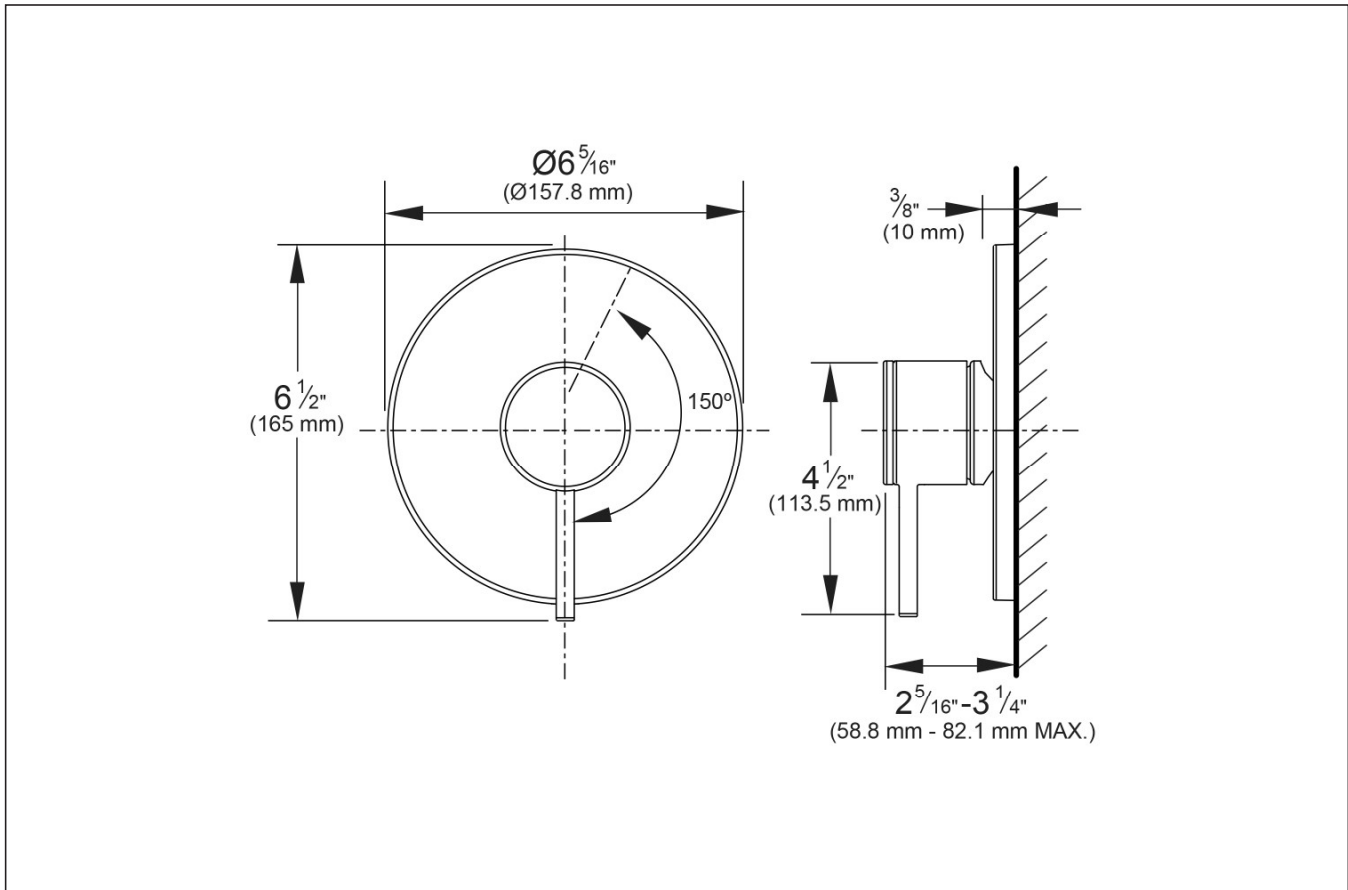
ATRIO® PRESSURE BALANCE VALVE TRIM WITH CARTRIDGE

Pure Freude
an Wasser



TECHNICAL DATA:

Product Height	6-1/2 in
Product Length	6-5/16 in
Product Width	3-1/4 in



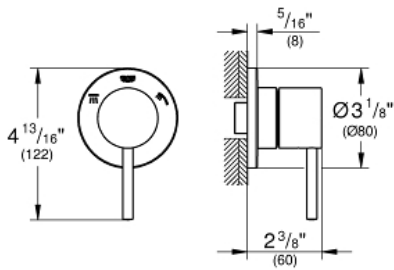
Tel: 1.630.582.7711 Fax: 1.630.582.7722
We reserve the right to make revisions without notice to product specifications.
For the most current Specification Sheet, go to www.grohe.us.
03-19-2020

PART OF LIXIL

ATRIO
3-Way Diverter
MODEL # 29216001

Pure Freude
an Wasser

GROHE



Product Description:
ATRIO
3-Way Diverter

Standard Specification:

- GROHE StarLight chrome finish
- Metal lever handle for 3 outlets: shower head/hand shower/tub spout
- For use with 3-way diverter rough-in valves (29 902) or (29 903)
- ADA Compliant

Applicable Codes & Standards:

- ASME A112.18.1/CSA B125.1
- ICC/ANSI A117.1

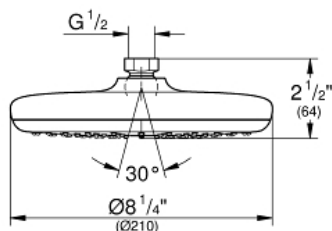
Color:

- 29216001 StarLight Chrome

TEMPESTA 210
Shower Head 1 Spray
MODEL # 26410000

Pure Freude
an Wasser

GROHE



Product Description:
TEMPESTA 210
Shower Head 1 Spray

Standard Specification:

- Rain spray pattern (1 spray-rain)
- Diameter 8 1/4"
- Rotating ball joint $\pm 15^\circ$
- 1/2" Connection thread
- 2.5 gpm (9.5 l/min) flow limiter
- **GROHE DreamSpray** perfect spray pattern
- **GROHE StarLight** chrome finish
- **SpeedClean** anti-lime system
- Inner WaterGuide for a longer life
- Suitable for instantaneous heater
- Min. recommended pressure: 15 psi (1.0 bar)

Applicable Codes & Standards:

- Energy Policy Act of 1992
- ASME A112.18.1/CSA B125.1
- US Federal and State material regulations

Color:

- 26410000 StarLight Chrome

28 577

RAINSHOWER™

11 ¼" SHOWER ARM

Pure Freude
an Wasser



STANDARD SPECIFICATION:

- GROHE StarLight®
- 11 ¼" Shower Arm
- ½" NPT male threads
- Can be used with any shower head EXCEPT Rainshower™ Jumbo (28 783)



PRODUCT FEATURES:

 GROHE StarLight®

CERTIFICATIONS:

- CSA B125.1
- ASME A112.18.1

AVAILABLE FINISHES:

28577000



GROHE StarLight®
Chrome

28577EN0



Brushed Nickel
InfinityFinish™

NOTE: Install this product according to the installation guide. ADA, CSA compliant when installed to the specific requirements of these regulations.

Tel: 1.630.582.7711 Fax: 1.630.582.7722

We reserve the right to make revisions without notice to product specifications.

For the most current Specification Sheet, go to www.grohe.us.

10-27-2021

PART OF **LIXIL**

28 577

RAINSHOWER™

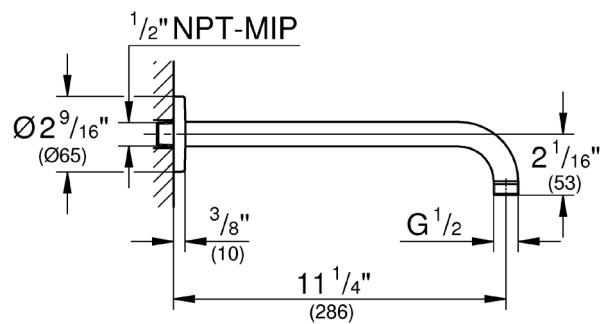
11 1/4" SHOWER ARM

Pure Freude
an Wasser



TECHNICAL DATA:

Product Height	3-3/8 in
Product Length	11-1/4 in
Product Width	2-9/16 in



27 575

TEMPESTA® COSMOPOLITAN

100 HAND SHOWER - 4 SPRAYS

Pure Freude
an Wasser





STANDARD SPECIFICATION:

- GROHE StarLight®
- GROHE DreamSpray®
- Speed Clean® anti-lime system
- 4" Face
- 4 Sprays: GROHE Rain O², Rain, Massage, Jet
- 1/2" NPT female threads
- White spray face
- Max. flow rate: 2.5gpm (9.5L/min)



PRODUCT FEATURES:

-  GROHE StarLight®
-  GROHE DreamSpray®
-  Speed Clean®

CERTIFICATIONS:

- Energy Policy Act of 1992
- CSA B125.1
- ASME A112.18.1

AVAILABLE FINISHES:

27575002



GROHE StarLight®
Chrome

NOTE: Install this product according to the installation guide. ADA, CSA compliant when installed to the specific requirements of these regulations.

Tel: 1.630.582.7711 Fax: 1.630.582.7722

We reserve the right to make revisions without notice to product specifications.

For the most current Specification Sheet, go to www.grohe.us.

10-20-2021

PART OF **LIXIL**

27 575

TEMPESTA® COSMOPOLITAN

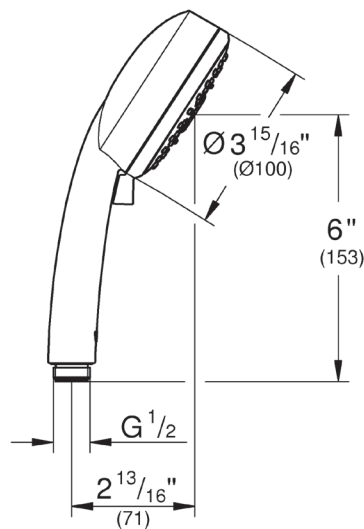
100 HAND SHOWER - 4 SPRAYS

Pure Freude
an Wasser



TECHNICAL DATA:

Product Height	8 in
Product Length	5-1/8 in
Product Width	3-15/16 in
GPM (Min)-GPM (Max)	2.5 gal (US)/min



28 629

RELEXA®

WALL UNION WITH HAND SHOWER
HOLDER

*Pure Freude
an Wasser*



STANDARD SPECIFICATION:

- GROHE StarLight®
- 1/2" NPT threads
- Integrated hand shower holder



PRODUCT FEATURES:

 GROHE StarLight®

CERTIFICATIONS:

- CSA B125.1
- ASME A112.18.1

AVAILABLE FINISHES:

28629000



GROHE StarLight®
Chrome

NOTE: Install this product according to the installation guide. ADA, CSA compliant when installed to the specific requirements of these regulations.

Tel: 1.630.582.7711 Fax: 1.630.582.7722
We reserve the right to make revisions without notice to product specifications.
For the most current Specification Sheet, go to www.grohe.us.
10-27-2021

PART OF **LIXIL**

28 629

RELEXA®

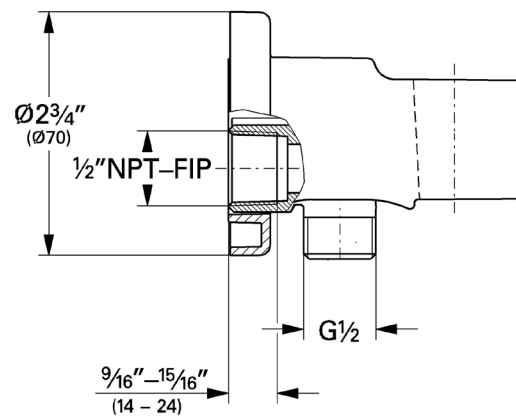
WALL UNION WITH HAND SHOWER
HOLDER

*Pure Freude
an Wasser*



TECHNICAL DATA:

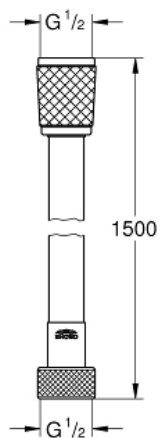
Product Height	2-3/4 in
Product Length	2-11/16 in
Product Width	2-3/4 in



RELEXAFLEX
59" Hose
MODEL # 28151001

Pure Freude
an Wasser

GROHE



Product Description:

**RELEXAFLEX
59" Hose**

Standard Specification:

- 59"
- Smooth surface for easy cleaning
- Tensile strength 500 N
- Pressure resistance up to 5 bar
- Heat resistance 160°F
- AntiFold bend proof
- Universal connection G 1/2" x 1/2"
- **GROHE StarLight** chrome finish

Color:

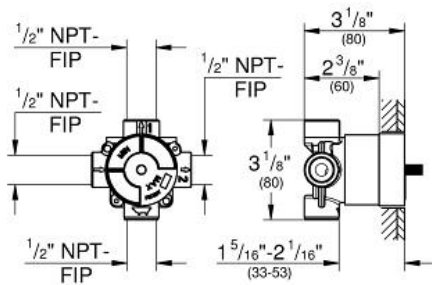
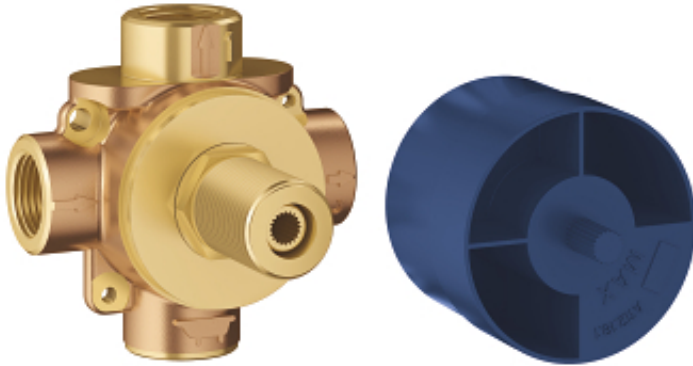
□ 28151001 StarLight Chrome

3-Way Diverter Rough-In Valve (Discrete Functions)

MODEL # 29902000

Pure Freude
an Wasser

GROHE



Product Description:

3-Way Diverter Rough-In Valve (Discrete Functions)

Standard Specification:

- ADA compliant: requires less than 5 lbs/22.2 N force to operate handle
- 1 inlet/3 outlets
- 3 discrete functions
- plasterguard included 1/2" NPT non shared (discrete) functions
- CALGreen compliant

Applicable Codes & Standards:

- ASME A112.18.1/CSA B125.1

Color:

- 29902000 StarLight Chrome

35 110

GROHSAFE™ 3.0

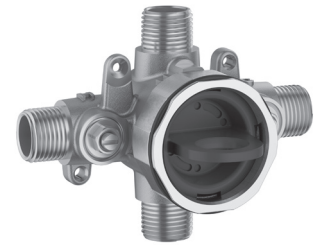
PRESSURE BALANCE ROUGH-IN VALVE

Pure Freude
an Wasser



STANDARD SPECIFICATION:

- 1/2" Universal inlets/outlets
- Includes plug for 3-port installation
- Flush plug included
- Made of DZR Brass
- Service stops
- Can be tested using flush plug with air (200psi) or water (300psi).
- Cartridge ships with the trim



PRODUCT FEATURES:



CERTIFICATIONS:

- Massachusetts Plumbing Board Approved
- ASSE 1016
- CSA B125.1
- CSA B125.16
- ASME A112.18.1
- ASME A112.1016

AVAILABLE FINISHES:

35110000 No Finish

NOTE: Install this product according to the installation guide. ADA, CSA compliant when installed to the specific requirements of these regulations.

We reserve the right to make revisions without notice to product specifications. 01-04-2022

US
Tel: 1.630.582.7711 Fax: 1.630.582.7722
For the most current Specification Sheet,
go to www.grohe.us.

Canada
Tel: 1.888.644.7643 Fax: 1.905.366.2071
For the most current Specification Sheet,
go to www.grohe.ca.

PART OF **LIXIL**

35 110

GROHSAFE™ 3.0

PRESSURE BALANCE ROUGH-IN VALVE

Pure Freude
an Wasser



TECHNICAL DATA:

Product Height 3-5/8 in

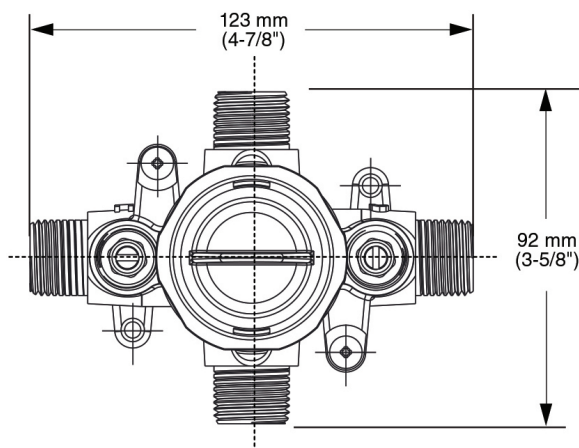
Product Length 2-3/4 in

Product Width 4-7/8 in

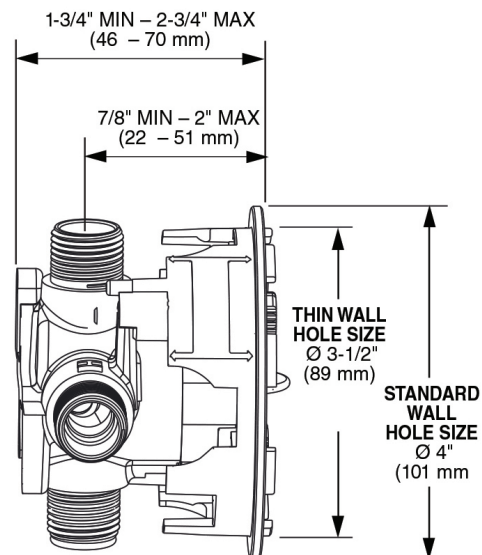
35 110 000

INLETS
1/2" NOM.
COPPER SWEAT
OR 1/2" NPT

OUTLETS
1/2" NOM.
COPPER SWEAT
OR 1/2" NPT



SIDE VIEW



27 252

RAINSHOWER™ F SERIES

5" BODY SPRAY - 1 SPRAY

Pure Freude
an Wasser





STANDARD SPECIFICATION:

- GROHE StarLight®
- GROHE DreamSpray®
- Speed Clean® anti-lime system
- GROHE FlowBalance (a regulating screw to adjust flow rate: and spray performance of body spray) – have perfect water flow even in customized multiple shower installations
- 5" x 5"
- 1 Spray: Normal
- 1/2" NPT female threads
- Spray plate with ball joint (12.5° rotation)
- Max. flow rate: 2.5gpm (9.5L/min)



PRODUCT FEATURES:

-  GROHE StarLight®
-  GROHE DreamSpray®

CERTIFICATIONS:

- Massachusetts Plumbing Board Approved
- Energy Policy Act of 1992
- CSA B125.1
- ASME A112.18.1

AVAILABLE FINISHES:

27252000



GROHE StarLight®
Chrome

NOTE: Install this product according to the installation guide. ADA, CSA compliant when installed to the specific requirements of these regulations.

Tel: 1.630.582.7711 Fax: 1.630.582.7722
We reserve the right to make revisions without notice to product specifications.
For the most current Specification Sheet, go to www.grohe.us.
10-20-2021

PART OF **LIXIL**

27 252

RAINSHOWER™ F SERIES

5" BODY SPRAY - 1 SPRAY

Pure Freude
an Wasser



TECHNICAL DATA:

Product Height	5 in
Product Length	0-6/16 in
Product Width	5 in
GPM (Min)-GPM (Max)	2.5 gal (US)/min

