

14468

CONCETTO™ PRESSURE BALANCE VALVE TRIM WITH CARTRIDGE

Pure Freude
an Wasser






STANDARD SPECIFICATION:

- GROHE StarLight®
- GROHE SilkMove®
- Metal handle
- Metal trim plate with GROHE QuickFix®
- Includes pressure balance cartridge with double ceramic technology
- Flow Rate: 5.2gpm (bottom) and 3.0 gpm (top port) at 45 psi (19 l/min)
- For use with GrohSafe 3.0 Rough-in Valve (35 110, 35 111, 35 112, 35 113, 35 114, 35 115, 35 116)



PRODUCT FEATURES:

-  GROHE StarLight®
-  GROHE SilkMove®
-  GROHE QuickFix®

CERTIFICATIONS:



- ADA
- CSA B125.1
- ASME A112.18.1

AVAILABLE FINISHES:

14468000



14468EN0



NOTE: Install this product according to the installation guide. ADA, CSA compliant when installed to the specific requirements of these regulations.

Tel: 1.630.582.7711 Fax: 1.630.582.7722

We reserve the right to make revisions without notice to product specifications.

For the most current Specification Sheet, go to www.grohe.us.

03-19-2020

PART OF **LIXIL**

14468

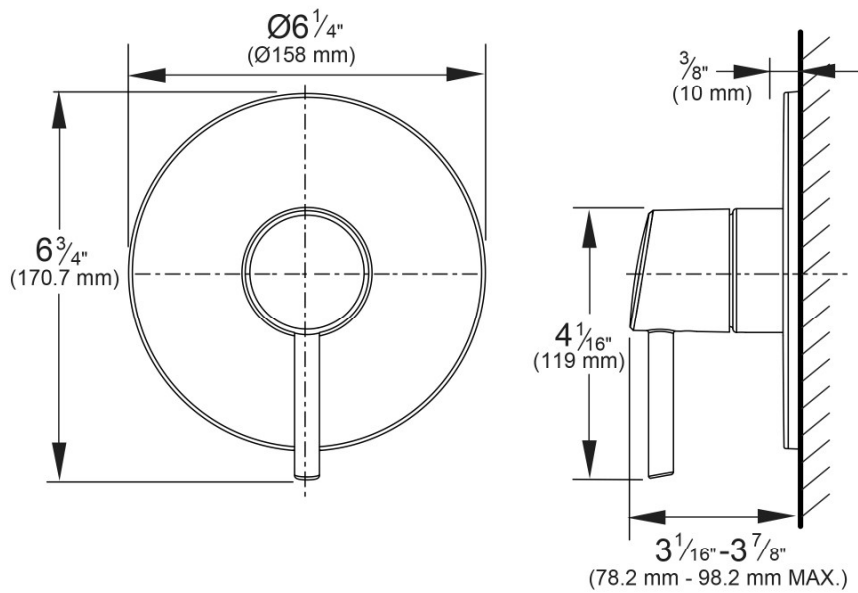
CONCETTO™ PRESSURE BALANCE VALVE TRIM WITH CARTRIDGE

Pure Freude
an Wasser



TECHNICAL DATA:

Product Height	6-3/4 in
Product Length	6-1/4 in
Product Width	3-7/8 in



Tel: 1.630.582.7711 Fax: 1.630.582.7722

We reserve the right to make revisions without notice to product specifications.

For the most current Specification Sheet, go to www.grohe.us.

03-19-2020

PART OF LIXIL

26 043

TEMPESTA® COSMOPOLITAN

100 SHOWER HEAD, 4" - 4 SPRAYS

Pure Freude
an Wasser






STANDARD SPECIFICATION:

- GROHE StarLight®
- GROHE EcoJoy®
- GROHE DreamSpray®
- Speed Clean® anti-lime system
- 4" Face
- 4 Sprays: GROHE Rain O², Rain, Massage, Jet
- 1/2" NPT female threads
- White spray face - Chrome
- Grey spray face - Brushed Nickel
- Rotating ball joint ± 15°
- Max. flow rate: 1.75gpm (6.6L/min)



PRODUCT FEATURES:


-  GROHE StarLight®
-  GROHE DreamSpray®
-  GROHE EcoJoy™

CERTIFICATIONS:



- WaterSense
- CEC Certified
- CALGreen Compliant
- Massachusetts Plumbing Board Approved
- Energy Policy Act of 1992
- CSA B125.1
- ASME A112.18.1

AVAILABLE FINISHES:

- 26043001**  GROHE StarLight® Chrome
- 26043A01**  Hard Graphite
- 26043BE1**  Polished Nickel InfinityFinish™
- 26043EN1**  Brushed Nickel InfinityFinish™
- 26043GN1**  Brushed Cool Sunrise

NOTE: Install this product according to the installation guide. ADA, CSA compliant when installed to the specific requirements of these regulations.

Tel: 1.630.582.7711 Fax: 1.630.582.7722
We reserve the right to make revisions without notice to product specifications.
For the most current Specification Sheet, go to www.grohe.us.
10-20-2021

PART OF **LIXIL**

26 043

TEMPESTA® COSMOPOLITAN

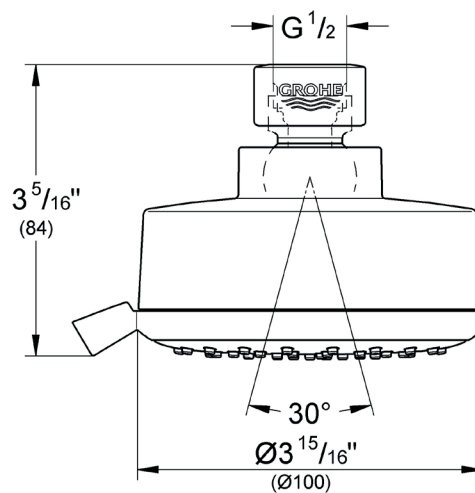
100 SHOWER HEAD, 4" - 4 SPRAYS

Pure Freude
an Wasser



TECHNICAL DATA:

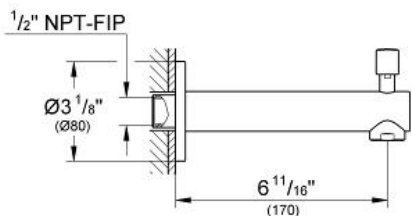
Product Height	3-15/16 in
Product Length	3-5/16 in
Product Width	3-15/16 in
GPM (Min)-GPM (Max)	1.75 GPM



CONCETTO
Tub Spout
MODEL # 13275001

Pure Freude
an Wasser

GROHE



ADA

C

Product Description:
CONCETTO
Tub Spout

Standard Specification:

- Wall mount
- GROHE StarLight chrome finish
- Flow control
- Automatic diverter: bath/shower
- 1/2" (13 mm) NPT Male Threads
- 6 11/16" (170 mm) spout reach

Applicable Codes & Standards:

- Energy Policy Act of 1992
- ASME A112.18.1/CSA B125.1
- ICC/ANSI A117.1

Color:

- 13275001 StarLight Chrome

27 412

RELEXA®

6 1/4" SHOWER ARM

Pure Freude
an Wasser



STANDARD SPECIFICATION:

- GROHE StarLight®
- 1/2" NPT Male threads



PRODUCT FEATURES:



GROHE StarLight®

CERTIFICATIONS:

- Massachusetts Plumbing Board Approved
- CSA B125.1
- ASME A112.18.1

AVAILABLE FINISHES:

27412000		GROHE StarLight® Chrome
27412A00		Hard Graphite
27412BE0		Polished Nickel InfinityFinish™
27412EN0		Brushed Nickel InfinityFinish™
27412GN0		Brushed Cool Sunrise

NOTE: Install this product according to the installation guide. ADA, CSA compliant when installed to the specific requirements of these regulations.

Tel: 1.630.582.7711 Fax: 1.630.582.7722
We reserve the right to make revisions without notice to product specifications.
For the most current Specification Sheet, go to www.grohe.us.
10-21-2021

PART OF **LIXIL**

27 412

RELEXA®

6 1/4" SHOWER ARM

Pure Freude
an Wasser



TECHNICAL DATA:

Product Height 3-9/16 in

Product Length 4-15/17 in

Product Width 2-9/16 in

