

29331

PLUS PRESSURE BALANCE VALVE TRIM WITH CARTRIDGE

Pure Freude
an Wasser






STANDARD SPECIFICATION:

- GROHE StarLight®
- GROHE SilkMove®
- Metal handle
- Metal trim plate with GROHE QuickFix®
- Includes pressure balance cartridge with double ceramic technology
- Flow Rate: 5.2gpm (bottom) and 3.0 gpm (top port) at 45 psi (19 l/min)
- For use with GrohSafe 3.0 Rough-in Valve (35 110, 35 111, 35 112, 35 113, 35 114, 35 115, 35 116)



PRODUCT FEATURES:

-  GROHE StarLight®
-  GROHE SilkMove®
-  GROHE QuickFix®

CERTIFICATIONS:



- ADA
- CSA B125.1
- ASME A112.18.1

AVAILABLE FINISHES:

29331003

 StarLight® Chrome

29331EN3

 Brushed Nickel InfinityFinish™

NOTE: Install this product according to the installation guide. ADA, CSA compliant when installed to the specific requirements of these regulations.

Tel: 1.630.582.7711 Fax: 1.630.582.7722

We reserve the right to make revisions without notice to product specifications.

For the most current Specification Sheet, go to www.grohe.us.

03-19-2020

PART OF **LIXIL**

29331

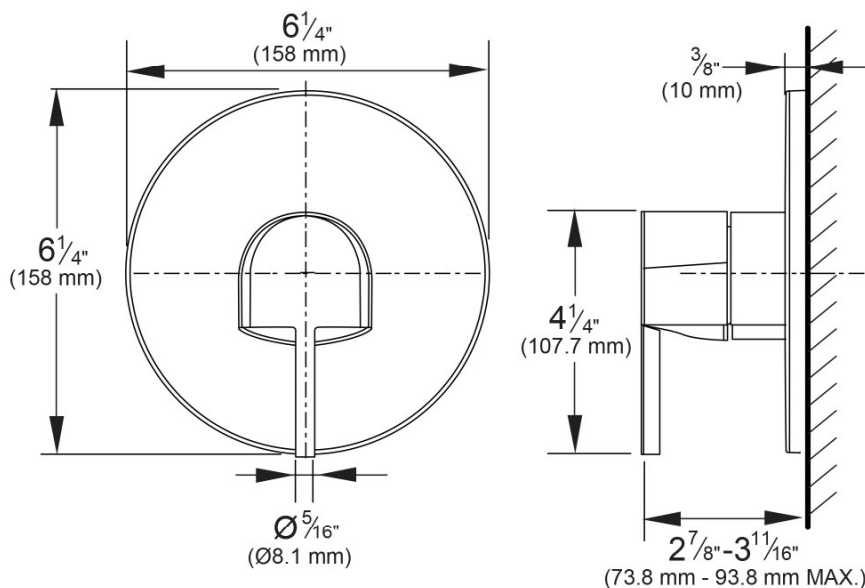
PLUS PRESSURE BALANCE VALVE TRIM WITH CARTRIDGE

Pure Freude
an Wasser



TECHNICAL DATA:

Product Height	6-1/4 in
Product Length	6-1/4 in
Product Width	3-11/16 in



Tel: 1.630.582.7711 Fax: 1.630.582.7722

We reserve the right to make revisions without notice to product specifications.

For the most current Specification Sheet, go to www.grohe.us.

03-19-2020

PART OF LIXIL

35 110

GROHSAFE™ 3.0

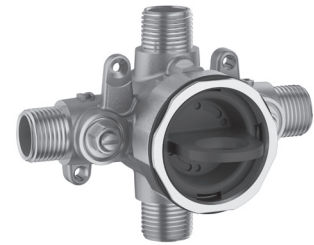
PRESSURE BALANCE ROUGH-IN VALVE

Pure Freude
an Wasser



STANDARD SPECIFICATION:

- 1/2" Universal inlets/outlets
- Includes plug for 3-port installation
- Flush plug included
- Made of DZR Brass
- Service stops
- Can be tested using flush plug with air (200psi) or water (300psi).
- Cartridge ships with the trim



PRODUCT FEATURES:



CERTIFICATIONS:

- Massachusetts Plumbing Board Approved
- ASSE 1016
- CSA B125.1
- CSA B125.16
- ASME A112.18.1
- ASME A112.1016

AVAILABLE FINISHES:

35110000 No Finish

NOTE: Install this product according to the installation guide. ADA, CSA compliant when installed to the specific requirements of these regulations.

We reserve the right to make revisions without notice to product specifications. 01-04-2022

US
Tel: 1.630.582.7711 Fax: 1.630.582.7722
For the most current Specification Sheet,
go to www.grohe.us.

Canada
Tel: 1.888.644.7643 Fax: 1.905.366.2071
For the most current Specification Sheet,
go to www.grohe.ca.

PART OF **LIXIL**

35 110

GROHSAFE™ 3.0

PRESSURE BALANCE ROUGH-IN VALVE

Pure Freude
an Wasser



TECHNICAL DATA:

Product Height 3-5/8 in

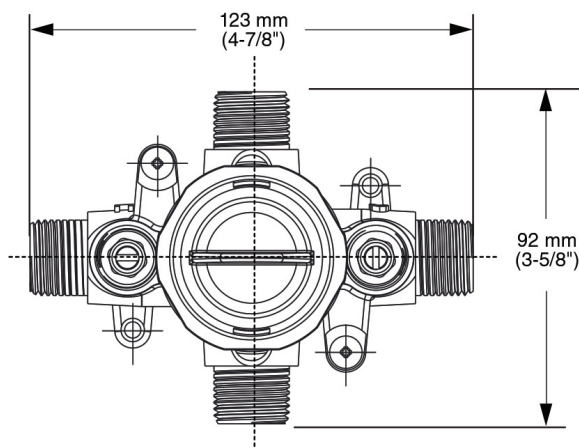
Product Length 2-3/4 in

Product Width 4-7/8 in

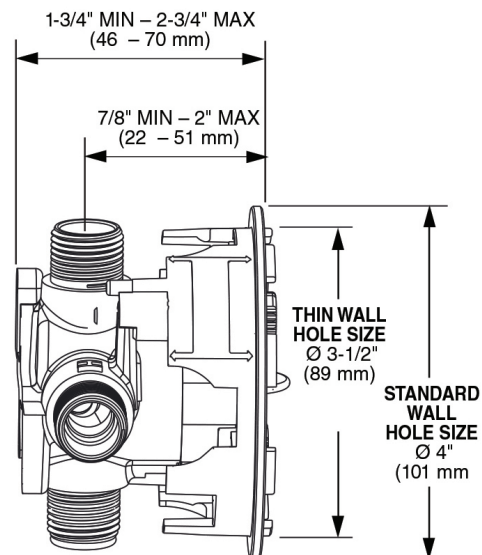
35 110 000

INLETS
1/2" NOM.
COPPER SWEAT
OR 1/2" NPT

OUTLETS
1/2" NOM.
COPPER SWEAT
OR 1/2" NPT



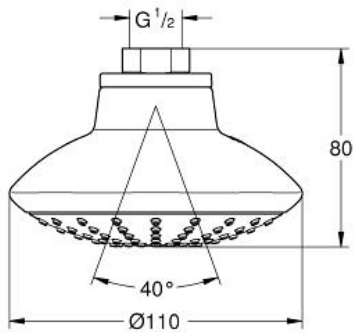
SIDE VIEW



EUPHORIA 110 MONO Shower Head 1 Spray

MODEL # 27810001

Pure Freude
an Wasser



Product Description:
EUPHORIA 110 MONO
Shower Head 1 Spray

Standard Specification:

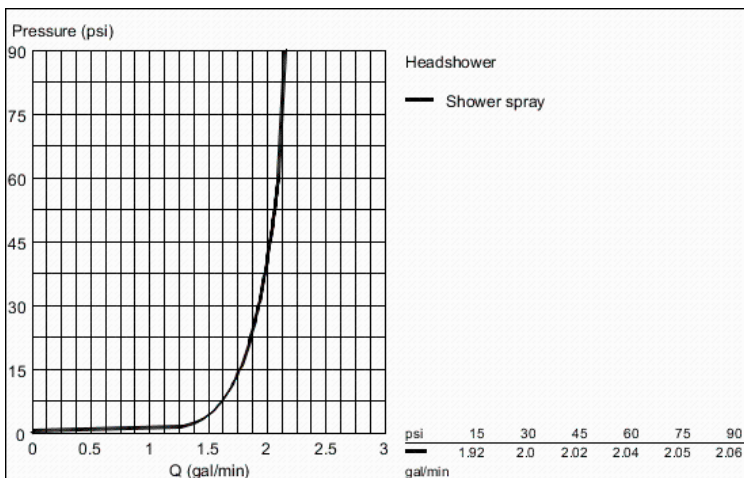
- 1/2" Connection thread
- GROHE EcoJoy 2.0 gpm flow limiter
- GROHE DreamSpray perfect flow
- GROHE StarLight chrome finish
- SpeedClean anti-lime system
- Min. recommended pressure: 15 psi (1.0 bar)

Applicable Codes & Standards:

- ASME A112.18.1/CSA B125.1
- EPA WaterSense®

Color:

- 27810001 StarLight Chrome



27 414

RELEXA®

5 5/8" SHOWER ARM

Pure Freude
an Wasser



STANDARD SPECIFICATION:

- GROHE StarLight®
- 1/2" NPT Male threads





PRODUCT FEATURES:

 GROHE StarLight®

CERTIFICATIONS:

- CSA B125.1
- ASME A112.18.1

AVAILABLE FINISHES:

- | | | |
|-----------------|---|-----------------------------------|
| 27414000 |  | GROHE StarLight®
Chrome |
| 27414EN0 |  | Brushed Nickel
InfinityFinish™ |

NOTE: Install this product according to the installation guide. ADA, CSA compliant when installed to the specific requirements of these regulations.

Tel: 1.630.582.7711 Fax: 1.630.582.7722
We reserve the right to make revisions without notice to product specifications.
For the most current Specification Sheet, go to www.grohe.us.
10-27-2021

PART OF **LIXIL**

27 414

RELEXA®

5 5/8" SHOWER ARM

Pure Freude
an Wasser



TECHNICAL DATA:

Product Height 3-9/16 in

Product Length 4-15/17 in

Product Width 2-9/16 in

