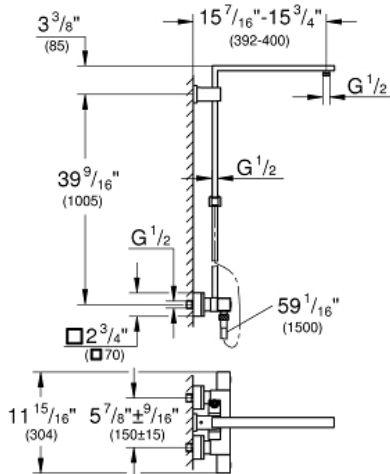


# EUPHORIA CUBE SYSTEM Shower System with Thermostat for Wall Mount

MODEL # 26420000

Pure Freude  
an Wasser

GROHE



**Product Description:**  
**EUPHORIA CUBE SYSTEM**  
**Shower System with Thermostat for Wall Mount**

**Standard Specification:**

- Shower arm
- Projection 15 3/4"
- Exposed thermostat with Aquadimmer that diverts between hand shower and showerhead
- Showerhead and hand shower (not included)
- Bar with adjustable height hand shower holder
- Rotaflex shower hose (59") (28 417)
- **GROHE TurboStat** Compact cartridge with wax thermoelement
- Exposed thermostatic temperature control with SafeStop at 100°F/38°C
- GROHE SafeStop Plus optional temperature limiter at 110°F (43°C) included
- **GROHE StarLight** chrome finish
- Exposed thermostatic temperature control with SafeStop at 100°F/38°C
- Inner WaterGuide for a longer life
- Twistfree to prevent hose from twisting
- Min. recommended pressure: 15 psi (1.0 bar)
- CALGreen compliant
- Includes adaptors for easy installation (depth adjustable)
- Two discrete functions (non-shared)

**Applicable Codes & Standards:**

- ASME A112.18.1/CSA B125.1
- US Federal and State material regulations

**Color:**

- 26420000 StarLight Chrome

26 468

# EUPHORIA® CUBE+

150 SHOWER HEAD, 6" - 1 SPRAY

Pure Freude  
an Wasser



## STANDARD SPECIFICATION:

- GROHE StarLight®
- GROHE DreamSpray®
- GROHE EcoJoy®
- Speed Clean® anti-lime system
- 6" x 6" Face
- 1 Spray: Rain
- 1/2" NPT Female threads
- Rotation angle ± 12°
- For overhead shower applications only
- Max. flow rate: 1.75gpm (6.6L/min)



## PRODUCT FEATURES:

-  GROHE StarLight®
-  GROHE DreamSpray®
-  GROHE EcoJoy™
-  Speed Clean®

## CERTIFICATIONS:



- WaterSense
- CEC Certified
- CALGreen Compliant
- Massachusetts Plumbing Board Approved
- Energy Policy Act of 1992
- CSA B125.1
- ASME A112.18.1

## AVAILABLE FINISHES:

26468000



GROHE StarLight®  
Chrome

NOTE: Install this product according to the installation guide. ADA, CSA compliant when installed to the specific requirements of these regulations.

Tel: 1.630.582.7711 Fax: 1.630.582.7722

We reserve the right to make revisions without notice to product specifications.

For the most current Specification Sheet, go to [www.grohe.us](http://www.grohe.us).

11-04-2021

PART OF **LIXIL**

26 468

# EUPHORIA® CUBE+

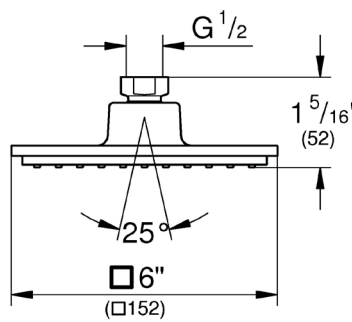
150 SHOWER HEAD, 6" - 1 SPRAY

Pure Freude  
an Wasser



## TECHNICAL DATA:

Product Height	2-1/16 in
Product Length	6 in
Product Width	6 in
GPM (Min)-GPM (Max)	1.75 gal (US)/min



# EUPHORIA CUBE+ STICK Hand Shower

MODEL # 26467000

Pure Freude  
an Wasser

**GROHE**



**Product Description:**  
**EUPHORIA CUBE+ STICK**  
**Hand Shower**

**Standard Specification:**

- 1 Spray: Normal
- Metal
- **GROHE EcoJoy** 1.75 gpm (6.6 l/min) flow limiter
- **GROHE DreamSpray** perfect spray pattern
- **GROHE StarLight** chrome finish
- **SpeedClean** anti-lime system
- Inner WaterGuide for a longer life
- Universal mounting system (fits all standard shower hoses)
- Suitable for instantaneous heater
- Min. recommended pressure: 15 psi (1.0 bar)

**Applicable Codes & Standards:**

- Energy Policy Act of 1992
- ASME A112.18.1/CSA B125.1
- US Federal and State material regulations
- EPA WaterSense®

**Color:**

- 26467000 StarLight Chrome