

# 14463

## EUROSMART® COSMOPOLITAN PRESSURE BALANCE VALVE TRIM WITH CARTRIDGE

Pure Freude  
an Wasser






### STANDARD SPECIFICATION:

- GROHE StarLight®
- GROHE SilkMove®
- Metal handle
- Metal trim plate with GROHE QuickFix®
- Includes pressure balance cartridge with double ceramic technology
- Flow Rate: 5.2gpm (bottom) and 3.0 gpm (top port) at 45 psi (19 l/min)
- For use with GrohSafe 3.0 Rough-in Valve (35 110, 35 111, 35 112, 35 113, 35 114, 35 115, 35 116)



### PRODUCT FEATURES:

-  GROHE StarLight®
-  GROHE SilkMove®
-  GROHE QuickFix®

### CERTIFICATIONS:



- ADA
- CSA B125.1
- ASME A112.18.1

### AVAILABLE FINISHES:

14463000



Tel: 1.630.582.7711 Fax: 1.630.582.7722

We reserve the right to make revisions without notice to product specifications.

For the most current Specification Sheet, go to [www.grohe.us](http://www.grohe.us).

03-19-2020

NOTE: Install this product according to the installation guide. ADA, CSA compliant when installed to the specific requirements of these regulations.

PART OF **LIXIL**

# 14463

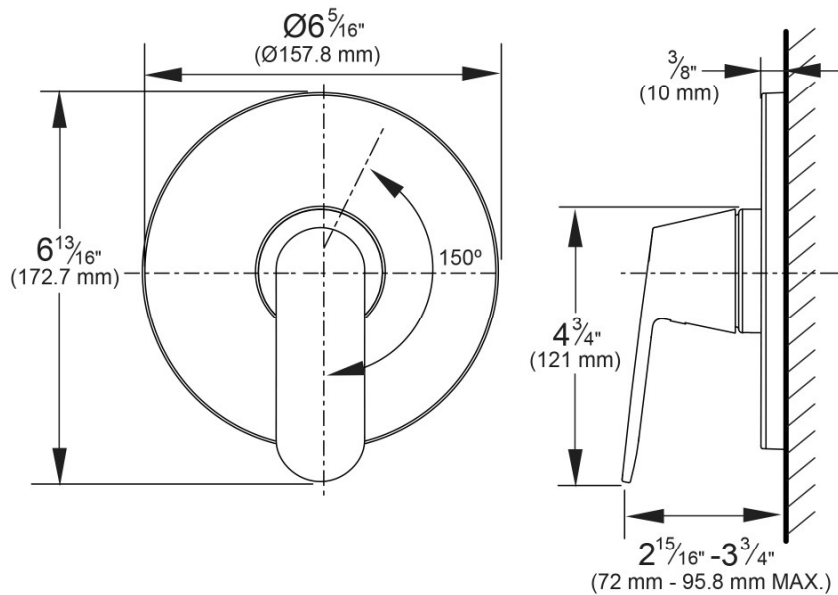
## EUROSMART® COSMOPOLITAN PRESSURE BALANCE VALVE TRIM WITH CARTRIDGE

Pure Freude  
an Wasser



### TECHNICAL DATA:

Product Height	6-13/16 in
Product Length	6-5/16 in
Product Width	3-3/4 in



27 591

# TEMPESTA® COSMOPOLITAN

100 SHOWER HEAD, 4" - 4 SPRAYS

Pure Freude  
an Wasser






## STANDARD SPECIFICATION:

- GROHE StarLight®
- GROHE DreamSpray®
- Speed Clean® anti-lime system
- 4" Face
- 4 Sprays: GROHE Rain O<sup>2</sup>, Rain, Massage, Jet
- 1/2" NPT female threads
- White spray face
- 4" face
- Rotating ball joint ± 15°
- Max. flow rate: 2.5gpm (9.5L/min)



## PRODUCT FEATURES:

-  GROHE StarLight®
-  GROHE DreamSpray®
-  Speed Clean®

## CERTIFICATIONS:

- Energy Policy Act of 1992
- CSA B125.1
- ASME A112.18.1

## AVAILABLE FINISHES:

27591001



GROHE StarLight®  
Chrome

NOTE: Install this product according to the installation guide. ADA, CSA compliant when installed to the specific requirements of these regulations.

Tel: 1.630.582.7711 Fax: 1.630.582.7722  
We reserve the right to make revisions without notice to product specifications.  
For the most current Specification Sheet, go to [www.grohe.us](http://www.grohe.us).  
10-20-2021

PART OF **LIXIL**

27 591

# TEMPESTA® COSMOPOLITAN

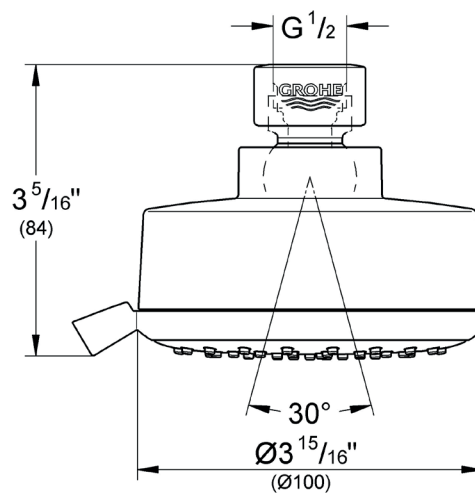
100 SHOWER HEAD, 4" - 4 SPRAYS

Pure Freude  
an Wasser



## TECHNICAL DATA:

Product Height	3-15/16 in
Product Length	3-5/16 in
Product Width	3-15/16 in
GPM (Min)-GPM (Max)	2.5 gal (US)/min



13 273

# EUROSMART® COSMOPOLITAN

## TUB SPOUT

Pure Freude  
an Wasser



### STANDARD SPECIFICATION:

- GROHE StarLight®
- 6 11/16" Spout reach
- Wall mount
- 1/2" Inlet
- Push-down diverter activation



### PRODUCT FEATURES:



### CERTIFICATIONS:



- ADA
- WaterSense
- CEC Certified
- Massachusetts Plumbing Board Approved
- Energy Policy Act of 1992
- CSA B125.1
- ASME A112.18.1

### AVAILABLE FINISHES:

13273000



GROHE StarLight® Chrome

NOTE: Install this product according to the installation guide. ADA, CSA compliant when installed to the specific requirements of these regulations.

We reserve the right to make revisions without notice to product specifications. 12-06-2021

#### US

Tel: 1.630.582.7711 Fax: 1.630.582.7722  
For the most current Specification Sheet,  
go to [www.grohe.us](http://www.grohe.us).

#### Canada

Tel: 1.888.644.7643 Fax: 1.905.366.2071  
For the most current Specification Sheet,  
go to [www.grohe.ca](http://www.grohe.ca).

PART OF **LIXIL**

13 273

# EUROSMART® COSMOPOLITAN

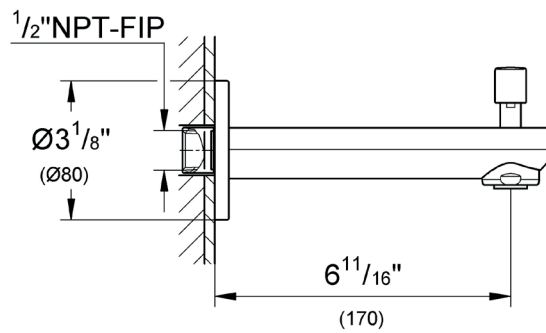
TUB SPOUT

Pure Freude  
an Wasser



## TECHNICAL DATA:

Product Height	3-1/8 in
Product Width	3-1/8 in
Fitting Spout Reach	6-11/16 in



27 412

**RELEXA®**

6 1/4" SHOWER ARM

Pure Freude  
an Wasser



**STANDARD SPECIFICATION:**

- GROHE StarLight®
- 1/2" NPT Male threads



**PRODUCT FEATURES:**



GROHE StarLight®

**CERTIFICATIONS:**

- Massachusetts Plumbing Board Approved
- CSA B125.1
- ASME A112.18.1

**AVAILABLE FINISHES:**

27412000		GROHE StarLight® Chrome
27412A00		Hard Graphite
27412BE0		Polished Nickel InfinityFinish™
27412EN0		Brushed Nickel InfinityFinish™
27412GN0		Brushed Cool Sunrise

NOTE: Install this product according to the installation guide. ADA, CSA compliant when installed to the specific requirements of these regulations.

Tel: 1.630.582.7711 Fax: 1.630.582.7722  
We reserve the right to make revisions without notice to product specifications.  
For the most current Specification Sheet, go to [www.grohe.us](http://www.grohe.us).  
10-21-2021

PART OF **LIXIL**

27 412

**RELEXA®**

6 1/4" SHOWER ARM

Pure Freude  
an Wasser



**TECHNICAL DATA:**

Product Height 3-9/16 in

Product Length 4-15/17 in

Product Width 2-9/16 in

