

29 138

# GROHTHERM® SMARTCONTROL

## TRIPLE FUNCTION THERMOSTATIC VALVE TRIM WITH CONTROL MODULE

Pure Freude  
an Wasser



### STANDARD SPECIFICATION:

- GROHE StarLight®
- GROHE SmartControl®: push for ON-OFF, turn for volume adjustment from EcoJoy™ to Full Flow, exchangeable symbols
- GROHE TurboStat® compact 3/4" cartridge with wax thermo element
- GROHE SafeStop safety button with manual override at 100°F/38°C
- GROHE SafeStop Plus temperature limiter at 115° F/46° C
- Multiple outlets can be run simultaneously
- 6 1/4" Metal wall escutcheon with GROHE QuickFix®
- 3/8" Thin profile escutcheon
- Wall plate is angle adjustable up to 6°
- Optional flow reducer for CALGreen compliance included (Note: Cannot be used for shower systems that include tub spout)
- Built-in check valve with dirt strainer
- Includes icons to customize push buttons: Hand Shower, Showerhead, Bath Filler, Showerhead (2nd Spray), Showerhead (3rd Spray) & Body Spray
- Includes service stops
- Maximum combined flow performance: 9.5gpm (36L/min) @ 43.5psi (3 bar)
- Requires Grohtherm® Rapido® SmartBox (35 601) (sold separately)



### PRODUCT FEATURES:

- GROHE StarLight®
- GROHE TurboStat®
- GROHE QuickFix®
- GROHE SmartControl®
- GROHE SafeStopPlus

### CERTIFICATIONS:

- Massachusetts Plumbing Board Approved
- ASSE 1016
- CSA B125.1
- CSA B125.16
- ASME A112.18.1
- ASME A112.1016

### AVAILABLE FINISHES:

- 29138000** GROHE StarLight® Chrome
- 29138A00** Hard Graphite
- 29138BE0** Polished Nickel InfinityFinish™
- 29138EN0** Brushed Nickel InfinityFinish™
- 29138GN0** Brushed Cool Sunrise

NOTE: Install this product according to the installation guide. ADA, CSA compliant when installed to the specific requirements of these regulations.

We reserve the right to make revisions without notice to product specifications. 12-09-2021

**US**  
Tel: 1.630.582.7711 Fax: 1.630.582.7722  
For the most current Specification Sheet,  
go to [www.grohe.us](http://www.grohe.us).

**Canada**  
Tel: 1.888.644.7643 Fax: 1.905.366.2071  
For the most current Specification Sheet,  
go to [www.grohe.ca](http://www.grohe.ca).

PART OF **LIXIL**

29 138

# GROHTHERM® SMARTCONTROL

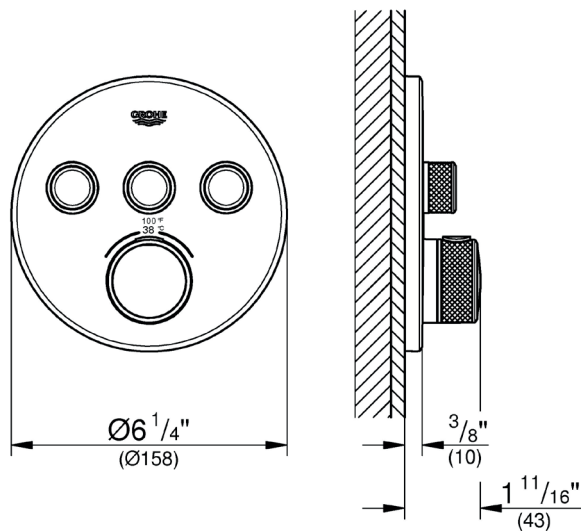
## TRIPLE FUNCTION THERMOSTATIC VALVE TRIM WITH CONTROL MODULE

Pure Freude  
an Wasser



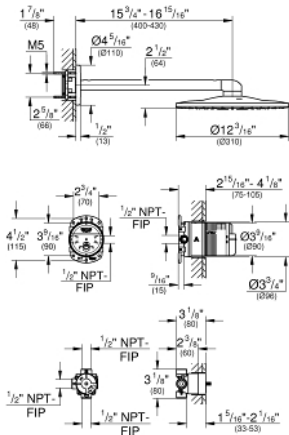
### TECHNICAL DATA:

Product Height	6-1/4 in
Product Length	1-11/16 in
Product Width	6-1/4 in



RAINSHOWER 310  
SMARTACTIVE  
Shower Head Set 2 Sprays  
MODEL # 26502000

Pure Freude  
an Wasser



**Product Description:**  
RAINSHOWER 310 SMARTACTIVE  
Shower Head Set 2 Sprays

**Standard Specification:**

- Consisting of:
  - Rainshower 310 SmartActive shower head
  - 2 Spray patterns:
    - GROHE PureRain, ActiveRain
  - Includes 16" shower arm
  - 1.75 gpm
  - **GROHE DreamSpray** perfect spray pattern
  - **GROHE StarLight** chrome finish
  - **SpeedClean** anti-lime system
  - Inner WaterGuide for a longer life
  - Rough-in set for shower head
  - 2-Way diverter rough-in set 29 900 000 (Trim set to be ordered separately)

**Applicable Codes & Standards:**

- Energy Policy Act of 1992
- ASME A112.18.1/CSA B125.1
- US Federal and State material regulations

**Color:**

- 26502000 StarLight Chrome

26 744

# RAINSHOWER™ AQUA

BODY SPRAY - 2 SPRAYS

Pure Freude  
an Wasser




## STANDARD SPECIFICATION:


- GROHE StarLight®
- GROHE DreamSpray®
- Speed Clean® anti-lime system
- GROHE EcoJoy®
- 3/8" Thin profile
- Projects 7/8" from wall when turned on
- 3" Diameter
- 2 Sprays: PureRain, ActiveJet
- Pivoting range ± 15° rotatable
- NOT suitable for use with tankless water heaters
- Includes Rough-in Box
- 1/2" NPT female threads
- Max. flow rate: 0.9gpm (3.3 l/min)







## PRODUCT FEATURES:

-  GROHE DreamSpray®
-  GROHE EcoJoy™
-  GROHE StarLight®
-  Speed Clean®

## CERTIFICATIONS:

-  CEC
- CEC Certified
- CALGreen Compliant
- Massachusetts Plumbing Board Approved
- Energy Policy Act of 1992
- CSA B125.1
- ASME A112.18.1

## AVAILABLE FINISHES:

-  26744000 GROHE StarLight® Chrome
-  26744A00 Hard Graphite
-  26744EN0 Brushed Nickel InfinityFinish™
-  26744GN0 Brushed Cool Sunrise

NOTE: Install this product according to the installation guide. ADA, CSA compliant when installed to the specific requirements of these regulations.

Tel: 1.630.582.7711 Fax: 1.630.582.7722  
We reserve the right to make revisions without notice to product specifications.  
For the most current Specification Sheet, go to [www.grohe.us](http://www.grohe.us).  
09-09-2021

PART OF **LIXIL**

26 744

# RAINSHOWER™ AQUA

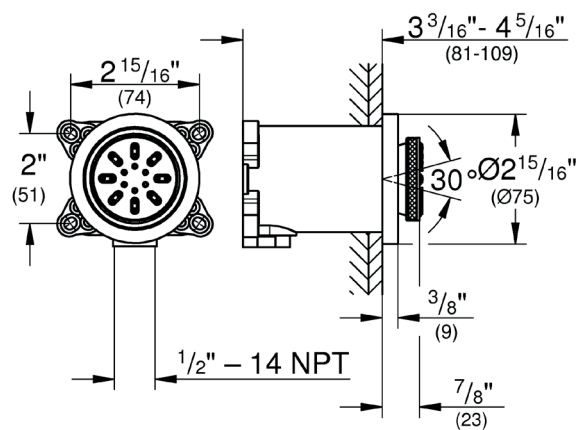
BODY SPRAY - 2 SPRAYS

Pure Freude  
an Wasser



## TECHNICAL DATA:

Product Height	2-15/16 in
Product Length	2-15/16 in
Product Width	4-5/16 in
GPM (Min)-GPM (Max)	0.9 GPM



35 601

## RAPIDO® SMARTBOX

### UNIVERSAL ROUGH-IN BOX

Pure Freude  
an Wasser



#### STANDARD SPECIFICATION:

- 3 Outlets 1/2" female NPT
- 2 Inlets below, 1/2" female NPT
- Installation depth 3"-4 1/8" (75-105mm)
- Connection unit in DR brass
- Includes integrated pre-mounted flushing plug
- Stable built-in box / protective cover
- Leak-proof housing
- Service Stops for maintenance of cartridge included with the trim
- Mounting options for solid walls and dry walls
- Trim sold separately



#### PRODUCT FEATURES:

#### CERTIFICATIONS:

- Massachusetts Plumbing Board Approved
- ASSE 1016
- CSA B125.1
- CSA B125.16
- ASME A112.18.1
- ASME A112.1016

#### AVAILABLE FINISHES:

**35601000** No Finish

NOTE: Install this product according to the installation guide. ADA, CSA compliant when installed to the specific requirements of these regulations.

We reserve the right to make revisions without notice to product specifications. 01-21-2022

#### US

Tel: 1.630.582.7711 Fax: 1.630.582.7722  
For the most current Specification Sheet,  
go to [www.grohe.us](http://www.grohe.us).

#### Canada

Tel: 1.888.644.7643 Fax: 1.905.366.2071  
For the most current Specification Sheet,  
go to [www.grohe.ca](http://www.grohe.ca).

PART OF **LIXIL**

35 601

# RAPIDO® SMARTBOX

## UNIVERSAL ROUGH-IN BOX

Pure Freude  
an Wasser



### TECHNICAL DATA:

Product Height 5-11/16 in

Product Length 4-1/8 in

Product Width 6-15/16 in

