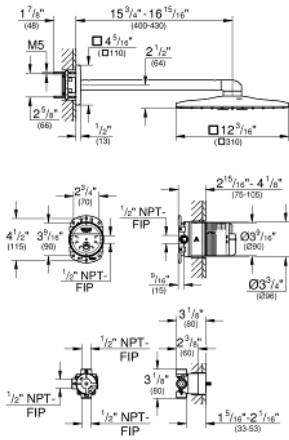


RAINSHOWER 310  
 SMARTACTIVE CUBE  
 Shower Head Set 2 Sprays  
 MODEL # 26504000

Pure Freude  
 an Wasser



**Product Description:**  
 RAINSHOWER 310 SMARTACTIVE CUBE  
 Shower Head Set 2 Sprays

**Standard Specification:**

- Consisting of:
  - Rainshower 310 SmartActive Cube shower head
  - 2 Spray patterns:
    - GROHE PureRain, ActiveRain
  - Includes 16" shower arm
  - 1.75 gpm
  - GROHE DreamSpray perfect spray pattern
  - GROHE StarLight chrome finish
  - SpeedClean anti-lime system
  - Inner WaterGuide for a longer life
  - Rough-in set for shower head
  - 2-Way diverter rough-in set 29 900 000 (Trim set to be ordered separately)

**Applicable Codes & Standards:**

- Energy Policy Act of 1992
- ASME A112.18.1/CSA B125.1
- US Federal and State material regulations

**Color:**

- 26504000 StarLight Chrome

29 142

# GROHTHERM® SMARTCONTROL

## TRIPLE FUNCTION THERMOSTATIC VALVE TRIM WITH CONTROL MODULE

Pure Freude  
an Wasser








### STANDARD SPECIFICATION:

- GROHE StarLight®
- GROHE SmartControl®: push for ON-OFF, turn for volume adjustment from EcoJoy™ to Full Flow, exchangeable symbols
- GROHE TurboStat® compact 3/4" cartridge with wax thermo element
- GROHE SafeStop safety button with manual override at 100°F/38°C
- GROHE SafeStop Plus temperature limiter at 115° F/46° C
- Multiple outlets can be run simultaneously
- 6 1/4" Metal wall escutcheon with GROHE QuickFix®
- 3/8" Thin profile escutcheon
- Wall plate is angle adjustable up to 6°
- Optional flow reducer for CALGreen compliance included (Note: Cannot be used for shower systems that include tub spout)
- Built-in check valve with dirt strainer
- Includes icons to customize push buttons: Hand Shower, Showerhead, Bath Filler, Showerhead (2nd Spray), Showerhead (3rd Spray) & Body Spray
- Includes service stops
- Maximum combined flow performance: 9.5gpm (36L/min) @ 43.5psi (3 bar)
- Requires Grohtherm® Rapido® SmartBox (35 601) (sold separately)



### PRODUCT FEATURES:

-  GROHE StarLight®
-  GROHE TurboStat®
-  GROHE QuickFix®
-  GROHE SmartControl®
-  SafeStopPlus

### CERTIFICATIONS:

- Massachusetts Plumbing Board Approved
- ASSE 1016
- CSA B125.1
- CSA B125.16
- ASME A112.18.1
- ASME A112.1016

### AVAILABLE FINISHES:

29142000



GROHE StarLight®  
Chrome

NOTE: Install this product according to the installation guide. ADA, CSA compliant when installed to the specific requirements of these regulations.

Tel: 1.630.582.7711 Fax: 1.630.582.7722

We reserve the right to make revisions without notice to product specifications.

For the most current Specification Sheet, go to [www.grohe.us](http://www.grohe.us).

10-21-2021

PART OF **LIXIL**

29 142

# GROHTHERM® SMARTCONTROL

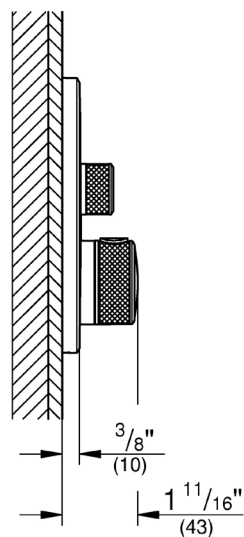
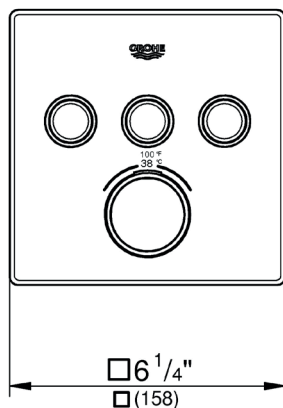
TRIPLE FUNCTION THERMOSTATIC  
VALVE TRIM WITH CONTROL MODULE

*Pure Freude  
an Wasser*



## TECHNICAL DATA:

Product Height	6-1/4 in
Product Length	1-11/16 in
Product Width	6-1/4 in



# EUPHORIA CUBE+ STICK Hand Shower

MODEL # 26467000

Pure Freude  
an Wasser

**GROHE**



**Product Description:**  
**EUPHORIA CUBE+ STICK**  
**Hand Shower**

**Standard Specification:**

- 1 Spray: Normal
- Metal
- **GROHE EcoJoy** 1.75 gpm (6.6 l/min) flow limiter
- **GROHE DreamSpray** perfect spray pattern
- **GROHE StarLight** chrome finish
- **SpeedClean** anti-lime system
- Inner WaterGuide for a longer life
- Universal mounting system (fits all standard shower hoses)
- Suitable for instantaneous heater
- Min. recommended pressure: 15 psi (1.0 bar)

**Applicable Codes & Standards:**

- Energy Policy Act of 1992
- ASME A112.18.1/CSA B125.1
- US Federal and State material regulations
- EPA WaterSense®

**Color:**

- 26467000 StarLight Chrome

35 601

## RAPIDO® SMARTBOX

### UNIVERSAL ROUGH-IN BOX

Pure Freude  
an Wasser



#### STANDARD SPECIFICATION:

- 3 Outlets 1/2" female NPT
- 2 Inlets below, 1/2" female NPT
- Installation depth 3"-4 1/8" (75-105mm)
- Connection unit in DR brass
- Includes integrated pre-mounted flushing plug
- Stable built-in box / protective cover
- Leak-proof housing
- Service Stops for maintenance of cartridge included with the trim
- Mounting options for solid walls and dry walls
- Trim sold separately



#### PRODUCT FEATURES:

#### CERTIFICATIONS:

- Massachusetts Plumbing Board Approved
- ASSE 1016
- CSA B125.1
- CSA B125.16
- ASME A112.18.1
- ASME A112.1016

#### AVAILABLE FINISHES:

**35601000** No Finish

NOTE: Install this product according to the installation guide. ADA, CSA compliant when installed to the specific requirements of these regulations.

We reserve the right to make revisions without notice to product specifications. 01-21-2022

#### US

Tel: 1.630.582.7711 Fax: 1.630.582.7722  
For the most current Specification Sheet,  
go to [www.grohe.us](http://www.grohe.us).

#### Canada

Tel: 1.888.644.7643 Fax: 1.905.366.2071  
For the most current Specification Sheet,  
go to [www.grohe.ca](http://www.grohe.ca).

PART OF **LIXIL**

35 601

# RAPIDO® SMARTBOX

## UNIVERSAL ROUGH-IN BOX

Pure Freude  
an Wasser

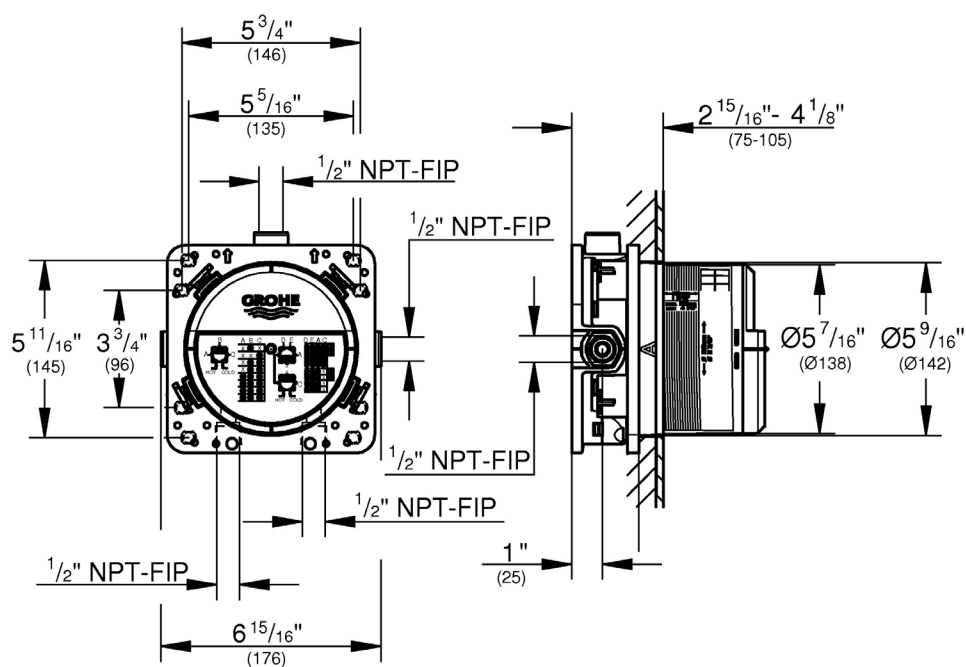


### TECHNICAL DATA:

Product Height 5-11/16 in

Product Length 4-1/8 in

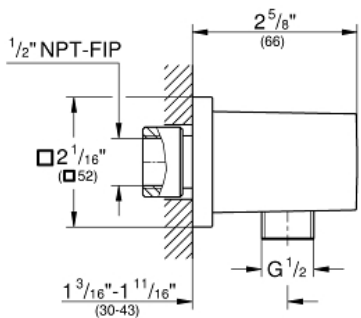
Product Width 6-15/16 in



EUPHORIA CUBE  
Shower Wall Union, 1/2"  
MODEL # 26634000

Pure Freude  
an Wasser

GROHE



**Product Description:**  
EUPHORIA CUBE  
Shower Wall Union, 1/2"

**Standard Specification:**

- 1/2" NPT Female Threads
- Check valve included to prevent backflow
- GROHE StarLight chrome finish

**Applicable Codes & Standards:**

- Energy Policy Act of 1992
- ASME A112.18.1/CSA B125.1
- CalGreen
- LOGO CEC

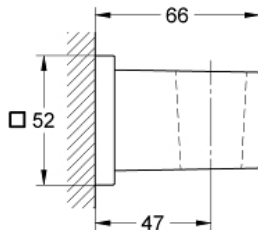
**Color:**

- 26634000 StarLight Chrome

EUPHORIA CUBE  
Wall Hand Shower Holder  
MODEL # 27693000

Pure Freude  
an Wasser

GROHE



**Product Description:**  
EUPHORIA CUBE  
Wall Hand Shower Holder

**Standard Specification:**

- Non-Adjustable Shower Head
- GROHE StarLight chrome finish

**Applicable Codes & Standards:**

- Energy Policy Act of 1992
- ASME A112.18.1/CSA B125.1

**Color:**

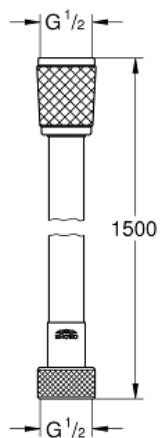
- 27693000 StarLight Chrome



RELEXAFLEX  
59" Hose  
MODEL # 28151001

Pure Freude  
an Wasser

GROHE



**Product Description:**

**RELEXAFLEX  
59" Hose**

**Standard Specification:**

- 59"
- Smooth surface for easy cleaning
- Tensile strength 500 N
- Pressure resistance up to 5 bar
- Heat resistance 160°F
- AntiFold bend proof
- Universal connection G 1/2" x 1/2"
- **GROHE StarLight** chrome finish

**Color:**

□ 28151001 StarLight Chrome