

29 137

GROHTHERM® SMARTCONTROL

DUAL FUNCTION THERMOSTATIC VALVE TRIM WITH CONTROL MODULE

Pure Freude
an Wasser



STANDARD SPECIFICATION:

- GROHE StarLight®
- GROHE SmartControl®: push for ON-OFF, turn for volume adjustment from EcoJoy™ to Full Flow, exchangeable symbols
- GROHE TurboStat® compact 3/4" cartridge with wax thermo element
- GROHE SafeStop safety button with manual override at 100°F/38°C
- GROHE SafeStop Plus temperature limiter at 115° F/46° C
- Multiple outlets can be run simultaneously
- 6 1/4" Metal wall escutcheon with GROHE QuickFix®
- 3/8" Thin profile escutcheon
- Wall plate is angle adjustable up to 6°
- Optional flow reducer for CALGreen compliance included (Note: Cannot be used for shower systems that include tub spout)
- Built-in check valve with dirt strainer
- Includes icons to customize push buttons: Hand Shower, Showerhead & Bath Filler
- Includes service stops
- Maximum combined flow performance: 7.7gpm (29L/min) @ 43.5psi (3 bar)
- Requires Grohtherm® Rapido® SmartBox (35 601) (sold separately)



PRODUCT FEATURES:

- GROHE StarLight®
- GROHE TurboStat®
- GROHE QuickFix®
- GROHE SmartControl®
- GROHE SafeStopPlus

CERTIFICATIONS:

- Massachusetts Plumbing Board Approved
- ASSE 1016
- CSA B125.1
- CSA B125.16
- ASME A112.18.1
- ASME A112.1016

AVAILABLE FINISHES:

- 29137000** GROHE StarLight® Chrome
- 29137A00** Hard Graphite
- 29137BE0** Polished Nickel InfinityFinish™
- 29137EN0** Brushed Nickel InfinityFinish™
- 29137GN0** Brushed Cool Sunrise

NOTE: Install this product according to the installation guide. ADA, CSA compliant when installed to the specific requirements of these regulations.

We reserve the right to make revisions without notice to product specifications. 12-09-2021

US
Tel: 1.630.582.7711 Fax: 1.630.582.7722
For the most current Specification Sheet,
go to www.grohe.us.

Canada
Tel: 1.888.644.7643 Fax: 1.905.366.2071
For the most current Specification Sheet,
go to www.grohe.ca.

PART OF **LIXIL**

29 137

GROHTHERM® SMARTCONTROL

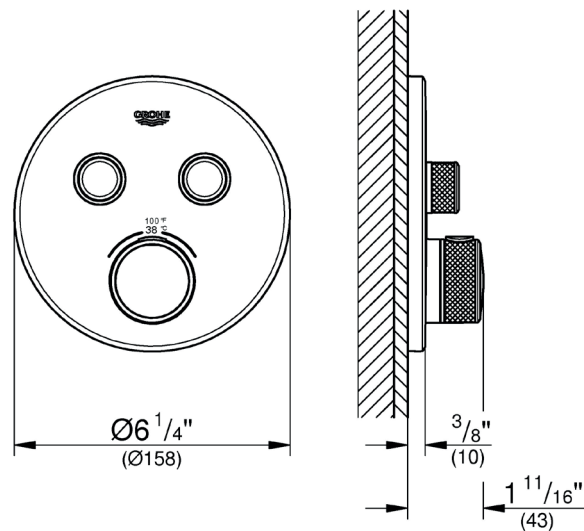
DUAL FUNCTION THERMOSTATIC VALVE TRIM WITH CONTROL MODULE

Pure Freude
an Wasser



TECHNICAL DATA:

Product Height	6-1/4 in
Product Length	1-11/16 in
Product Width	6-1/4 in



26 457

EUPHORIA®

260 SHOWER HEAD, 10" - 3 SPRAYS

Pure Freude
an Wasser





STANDARD SPECIFICATION:

- GROHE StarLight®
- GROHE DreamSpray®
- Speed Clean® anti-lime system
- 10" Face
- 3 Sprays: Jet, SmartRain, Rain
- Rotate 360° center dial to change sprays
- 1/2" NPT Female threads
- Inner WaterGuide for a longer life
- Max. flow rate: 2.5gpm (9.5L/min)





PRODUCT FEATURES:

-  GROHE StarLight®
-  GROHE DreamSpray®
-  Speed Clean®

CERTIFICATIONS:

- Massachusetts Plumbing Board Approved
- Energy Policy Act of 1992
- CSA B125.1
- ASME A112.18.1

AVAILABLE FINISHES:

- 26457000**  GROHE StarLight® Chrome
- 26457EN0**  Brushed Nickel InfinityFinish™

NOTE: Install this product according to the installation guide. ADA, CSA compliant when installed to the specific requirements of these regulations.

Tel: 1.630.582.7711 Fax: 1.630.582.7722
We reserve the right to make revisions without notice to product specifications.
For the most current Specification Sheet, go to www.grohe.us.
10-20-2021

PART OF **LIXIL**

26 457

EUPHORIA®

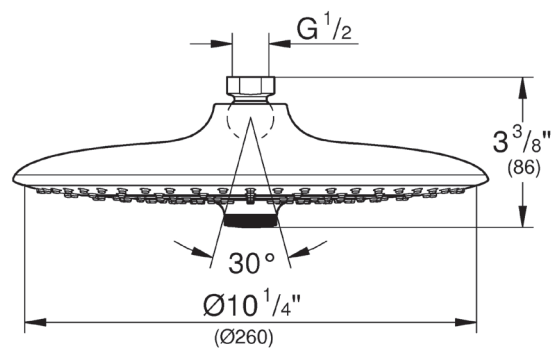
260 SHOWER HEAD, 10" - 3 SPRAYS

*Pure Freude
an Wasser*



TECHNICAL DATA:

Product Height	3-3/8 in
Product Length	10-1/4 in
Product Width	10-1/4 in
GPM (Min)-GPM (Max)	2.5 gal (US)/min



28 577

RAINSHOWER™

11 ¼" SHOWER ARM

Pure Freude
an Wasser



STANDARD SPECIFICATION:

- GROHE StarLight®
- 11 ¼" Shower Arm
- ½" NPT male threads
- Can be used with any shower head EXCEPT Rainshower™ Jumbo (28 783)



PRODUCT FEATURES:

 GROHE StarLight®

CERTIFICATIONS:

- CSA B125.1
- ASME A112.18.1

AVAILABLE FINISHES:

28577000



GROHE StarLight®
Chrome

28577EN0



Brushed Nickel
InfinityFinish™

NOTE: Install this product according to the installation guide. ADA, CSA compliant when installed to the specific requirements of these regulations.

Tel: 1.630.582.7711 Fax: 1.630.582.7722

We reserve the right to make revisions without notice to product specifications.

For the most current Specification Sheet, go to www.grohe.us.

10-27-2021

PART OF **LIXIL**

28 577

RAINSHOWER™

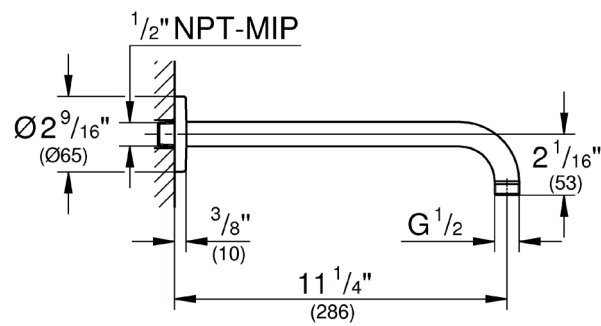
11 1/4" SHOWER ARM

Pure Freude
an Wasser



TECHNICAL DATA:

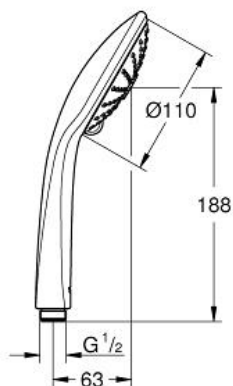
Product Height	3-3/8 in
Product Length	11-1/4 in
Product Width	2-9/16 in



EUPHORIA 110 MASSAGE Handshower 3 Sprays

MODEL # 27239000

Pure Freude
an Wasser



C[®]

Product Description: EUPHORIA 110 MASSAGE Handshower 3 Sprays

Standard Specification:

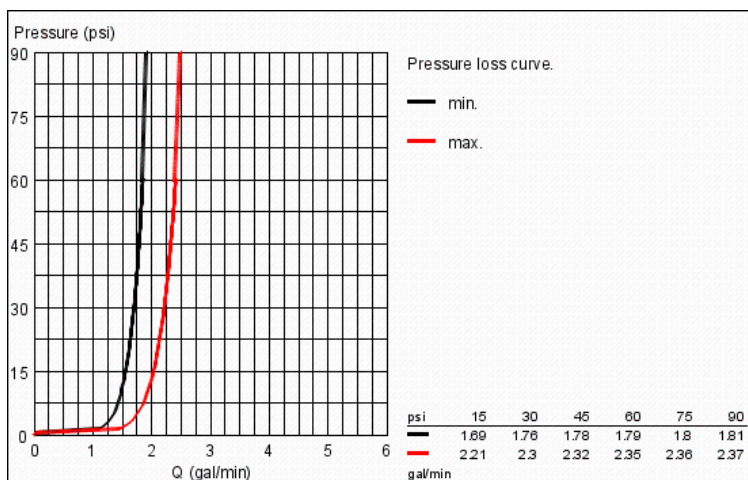
- 2.5 gpm (9.5 l/min) flow limiter
- GROHE DreamSpray perfect spray pattern
- GROHE SprayDimmer (flow rate reduction)
- GROHE StarLight chrome finish
- SpeedClean anti-lime system
- Inner WaterGuide for a longer life
- Universal mounting system (fits all standard shower hoses)
- Suitable for instantaneous heater

Applicable Codes & Standards:

- Energy Policy Act of 1992
- ASME A112.18.1/CSA B125.1

Color:

- 27239000 StarLight Chrome



28 672
RELEXA®
WALL UNION

Pure Freude
an Wasser



STANDARD SPECIFICATION:

- GROHE StarLight®
- 1/2" NPT threads



PRODUCT FEATURES:

 GROHE StarLight®

CERTIFICATIONS:

- Massachusetts Plumbing Board Approved
- CSA B125.1
- ASME A112.18.1

AVAILABLE FINISHES:

28672000



GROHE StarLight®
Chrome

NOTE: Install this product according to the installation guide. ADA, CSA compliant when installed to the specific requirements of these regulations.

Tel: 1.630.582.7711 Fax: 1.630.582.7722
We reserve the right to make revisions without notice to product specifications.
For the most current Specification Sheet, go to www.grohe.us.
11-04-2021

PART OF **LIXIL**

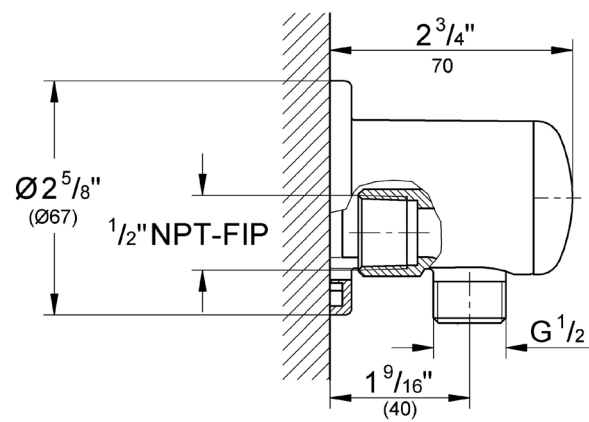
28 672
RELEXA®
WALL UNION

Pure Freude
an Wasser



TECHNICAL DATA:

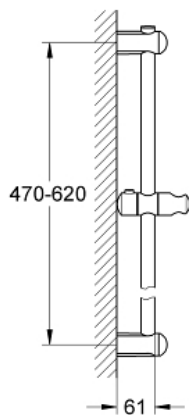
Product Height	2-5/8 in
Product Length	2-3/4 in
Product Width	2-5/8 in



EUPHORIA
24" Shower Bar
MODEL # 27499000

Pure Freude
an Wasser

GROHE



Product Description:

**EUPHORIA
24" Shower Bar**

Standard Specification:

- With wall holders, glide element and swivel holder
- **GROHE StarLight** chrome finish

Applicable Codes & Standards:

- Energy Policy Act of 1992
- ASME A112.18.1/CSA B125.1

Color:

- 27499000 StarLight Chrome

28 417

ROTAFLEX

59" METAL LONGLIFE TWIST-FREE SHOWER HOSE

Pure Freude
an Wasser



STANDARD SPECIFICATION:

- GROHE StarLight®
- 59" Long
- Metal hose
- Tensile strength 500 N
- Pressure resistance: up to 14.5psi (16 bar)
- Heat resistance 165°F
- AntiFold bend proof
- 1/2" NPT female threads
- Rotation cone for Twist-free function
- Silicone strip prevents hand shower from turning while in body pray position



PRODUCT FEATURES:




 GROHE StarLight®

CERTIFICATIONS:



- ADA
- Massachusetts Plumbing Board Approved
- CSA B125.1
- ASME A112.18.1

AVAILABLE FINISHES:

28417000		GROHE StarLight® Chrome
28417A00		Hard Graphite
28417BE0		Polished Nickel InfinityFinish™
28417EN0		Brushed Nickel InfinityFinish™
28417GN0		Brushed Cool Sunrise

NOTE: Install this product according to the installation guide. ADA, CSA compliant when installed to the specific requirements of these regulations.

Tel: 1.630.582.7711 Fax: 1.630.582.7722
We reserve the right to make revisions without notice to product specifications.
For the most current Specification Sheet, go to www.grohe.us.
11-04-2021

PART OF **LIXIL**

28 417

ROTAFLEX

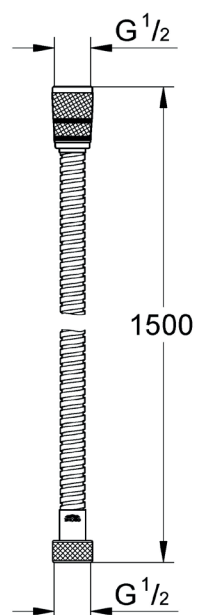
59" METAL LONGLIFE TWIST-FREE
SHOWER HOSE

Pure Freude
an Wasser



TECHNICAL DATA:

Product Height	7/8 in
Product Length	59-1/16 in
Product Width	7/8 in



35 601

RAPIDO® SMARTBOX

UNIVERSAL ROUGH-IN BOX

Pure Freude
an Wasser



STANDARD SPECIFICATION:

- 3 Outlets 1/2" female NPT
- 2 Inlets below, 1/2" female NPT
- Installation depth 3"-4 1/8" (75-105mm)
- Connection unit in DR brass
- Includes integrated pre-mounted flushing plug
- Stable built-in box / protective cover
- Leak-proof housing
- Service Stops for maintenance of cartridge included with the trim
- Mounting options for solid walls and dry walls
- Trim sold separately



PRODUCT FEATURES:

CERTIFICATIONS:

- Massachusetts Plumbing Board Approved
- ASSE 1016
- CSA B125.1
- CSA B125.16
- ASME A112.18.1
- ASME A112.1016

AVAILABLE FINISHES:

35601000 No Finish

NOTE: Install this product according to the installation guide. ADA, CSA compliant when installed to the specific requirements of these regulations.

We reserve the right to make revisions without notice to product specifications. 01-21-2022

US

Tel: 1.630.582.7711 Fax: 1.630.582.7722
For the most current Specification Sheet,
go to www.grohe.us.

Canada

Tel: 1.888.644.7643 Fax: 1.905.366.2071
For the most current Specification Sheet,
go to www.grohe.ca.

PART OF **LIXIL**

35 601

RAPIDO® SMARTBOX

UNIVERSAL ROUGH-IN BOX

Pure Freude
an Wasser



TECHNICAL DATA:

Product Height 5-11/16 in

Product Length 4-1/8 in

Product Width 6-15/16 in

