

29 168

**LINEARE™**

## PRESSURE BALANCE VALVE TRIM WITH DIVERTER

*Pure Freude  
an Wasser*



### STANDARD SPECIFICATION:

- GROHE StarLight®
- Metal lever handle
- Requires GrohSafe™ Rough-In Valve with built-in diverter (35 016) or (35 033) (sold separately)



### PRODUCT FEATURES:



**GROHE StarLight®**

### CERTIFICATIONS:

- Massachusetts Plumbing Board Approved
- CSA B125.1
- ASME A112.18.1

### AVAILABLE FINISHES:

**29168001**



GROHE StarLight® Chrome

**29168EN1**



Brushed Nickel InfinityFinish™

NOTE: Install this product according to the installation guide. ADA, CSA compliant when installed to the specific requirements of these regulations.

We reserve the right to make revisions without notice to product specifications. 12-06-2021

#### US

Tel: 1.630.582.7711 Fax: 1.630.582.7722  
For the most current Specification Sheet,  
go to [www.grohe.us](http://www.grohe.us).

#### Canada

Tel: 1.888.644.7643 Fax: 1.905.366.2071  
For the most current Specification Sheet,  
go to [www.grohe.ca](http://www.grohe.ca).

**PART OF LIXIL**

29 168

**LINEARE™**

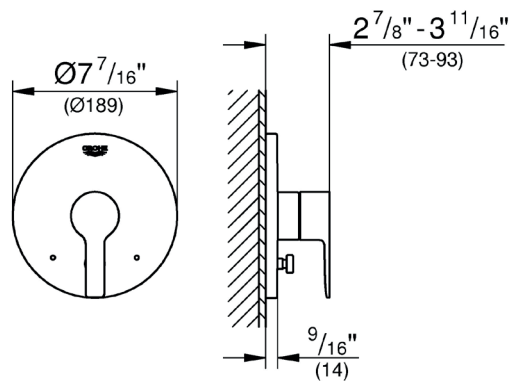
PRESSURE BALANCE VALVE TRIM WITH  
DIVERTER

*Pure Freude  
an Wasser*



**TECHNICAL DATA:**

Product Height	7-7/16 in
Product Length	3-11/16 in
Product Width	7-7/16 in



27 591

# TEMPESTA® COSMOPOLITAN

100 SHOWER HEAD, 4" - 4 SPRAYS

Pure Freude  
an Wasser






## STANDARD SPECIFICATION:

- GROHE StarLight®
- GROHE DreamSpray®
- Speed Clean® anti-lime system
- 4" Face
- 4 Sprays: GROHE Rain O<sup>2</sup>, Rain, Massage, Jet
- 1/2" NPT female threads
- White spray face
- 4" face
- Rotating ball joint ± 15°
- Max. flow rate: 2.5gpm (9.5L/min)



## PRODUCT FEATURES:

-  GROHE StarLight®
-  GROHE DreamSpray®
-  Speed Clean®

## CERTIFICATIONS:

- Energy Policy Act of 1992
- CSA B125.1
- ASME A112.18.1

## AVAILABLE FINISHES:

27591001



GROHE StarLight®  
Chrome

NOTE: Install this product according to the installation guide. ADA, CSA compliant when installed to the specific requirements of these regulations.

Tel: 1.630.582.7711 Fax: 1.630.582.7722  
We reserve the right to make revisions without notice to product specifications.  
For the most current Specification Sheet, go to [www.grohe.us](http://www.grohe.us).  
10-20-2021

PART OF **LIXIL**

27 591

# TEMPESTA® COSMOPOLITAN

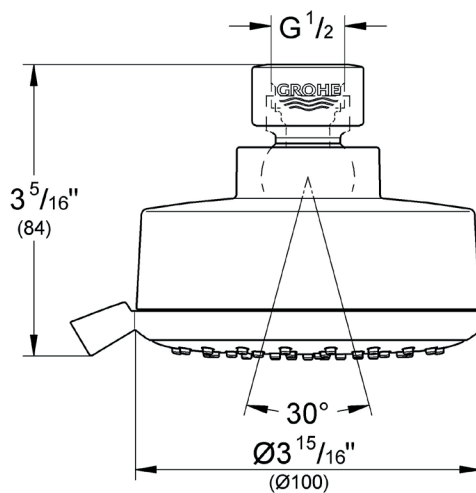
100 SHOWER HEAD, 4" - 4 SPRAYS

Pure Freude  
an Wasser



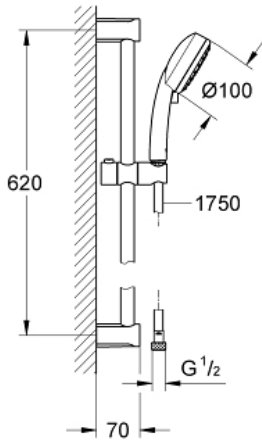
## TECHNICAL DATA:

Product Height	3-15/16 in
Product Length	3-5/16 in
Product Width	3-15/16 in
GPM (Min)-GPM (Max)	2.5 gal (US)/min



NEW TEMPESTA  
 COSMOPOLITAN 100  
 Shower Rail Set 2 Sprays  
 MODEL # 2757820E

Pure Freude  
 an Wasser



**Product Description:**  
 NEW TEMPESTA COSMOPOLITAN 100  
 Shower Rail Set 2 Sprays

**Standard Specification:**

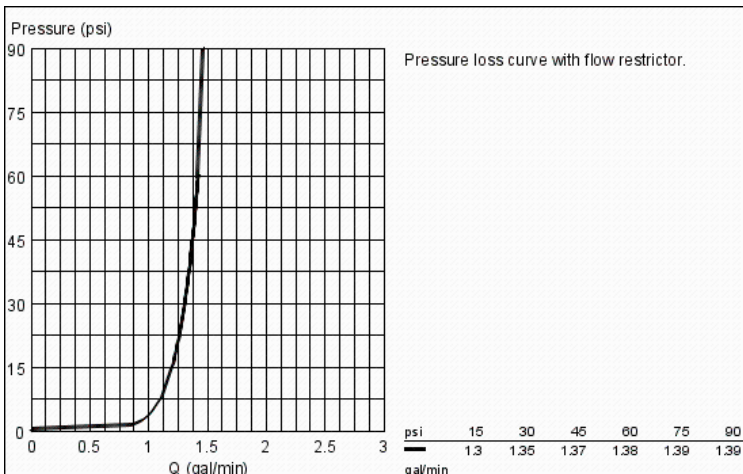
- Consisting of:
- Hand shower New Tempesta Cosmopolitan 100 (27 571 20E)
- 24" shower bar (27 521)
- RelaxaFlex 69" plastic shower hose (28 154)
- GROHE EcoJoy 1.5 gpm (5.7 l/min) flow restrictor
- GROHE DreamSpray perfect spray pattern
- GROHE StarLight chrome finish
- SpeedClean anti-lime system
- Inner WaterGuide for a longer life
- Min. recommended pressure: 15 psi (1.0 bar)

**Applicable Codes & Standards:**

- EPA WaterSense®

**Color:**

- 2757820E StarLight Chrome



27 412

**RELEXA®**

6 1/4" SHOWER ARM

Pure Freude  
an Wasser



**STANDARD SPECIFICATION:**

- GROHE StarLight®
- 1/2" NPT Male threads



**PRODUCT FEATURES:**



GROHE StarLight®

**CERTIFICATIONS:**

- Massachusetts Plumbing Board Approved
- CSA B125.1
- ASME A112.18.1

**AVAILABLE FINISHES:**

<b>27412000</b>		GROHE StarLight® Chrome
<b>27412A00</b>		Hard Graphite
<b>27412BE0</b>		Polished Nickel InfinityFinish™
<b>27412EN0</b>		Brushed Nickel InfinityFinish™
<b>27412GN0</b>		Brushed Cool Sunrise

NOTE: Install this product according to the installation guide. ADA, CSA compliant when installed to the specific requirements of these regulations.

Tel: 1.630.582.7711 Fax: 1.630.582.7722  
We reserve the right to make revisions without notice to product specifications.  
For the most current Specification Sheet, go to [www.grohe.us](http://www.grohe.us).  
10-21-2021

PART OF **LIXIL**

27 412

**RELEXA®**

6 1/4" SHOWER ARM

Pure Freude  
an Wasser

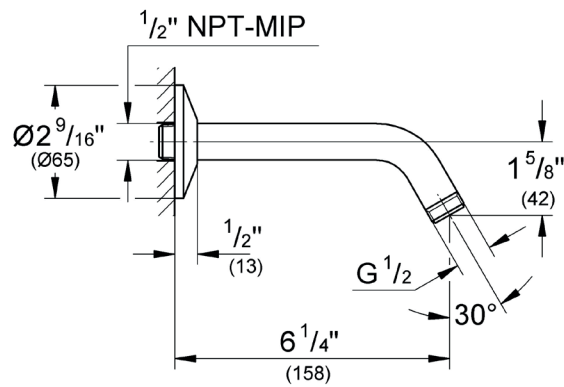


**TECHNICAL DATA:**

Product Height 3-9/16 in

Product Length 4-15/17 in

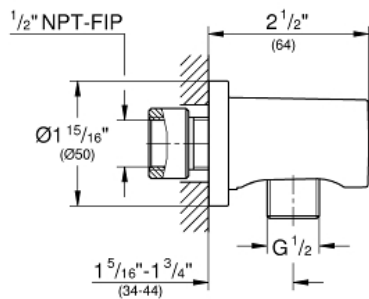
Product Width 2-9/16 in



RAINSHOWER  
Shower Wall Union, 1/2"  
MODEL # 26635A00

Pure Freude  
an Wasser

GROHE



**Product Description:**  
RAINSHOWER  
Shower Wall Union, 1/2"

**Standard Specification:**

- 1/2" NPT Female Threads
- Check valve included to prevent backflow
- GROHE StarLight finish

**Applicable Codes & Standards:**

- ASME A112.18.1/CSA B125.1
- LOGO CEC

**Color:**  
□ 26635A00 Hard graphite