

GEBERIT INSTALLATION SYSTEM

Wall-Hung Lavatories

SPECIFICATIONS

In-Wall Duofix carrier system for 2-hole wall-hung sinks. System shall fit within minimum 3" (76 mm) framing wall or plumbing chase, with wood construction or steel framing members placed 19 3/4" (500 mm) apart. Framing members should


be capable of supporting a 330 pound (150 kg) load without damage to the wall. The carrier frame shall be adjustable for fixture heights from 31 1/2" (800 mm) to 39 1/2" (1000 mm) and for mounting anchors from 2" (50mm) to 15" (380 mm). All components shall be compliant with applicable codes and product standards.

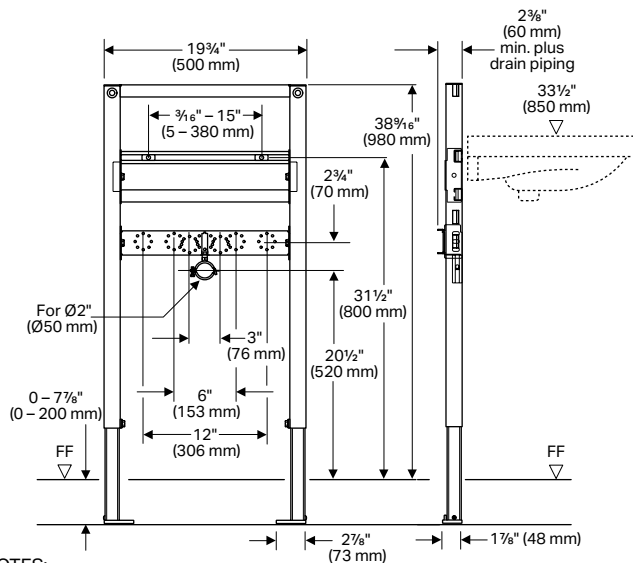
FEATURES

- 16-gauge, powder-coated, structural-steel tubing rated to 330 lbs (150 kg) without damage to finished wall or carrier unit
- Fixture rim height adjustments from 31 1/2" (800 mm) to 39 1/2" (1000 mm)
- Frame height: 38 9/16" (979 mm)
- Installation hardware included


WARRANTY

- Limited lifetime warranty on carrier

Model No.	Description
111.490.00.1	Carrier frame, short height (matches 111.012.00.1) 



- NOTES:
1. Geberit Duofix Carrier for 2-hole wall-hung lavatory fixtures only
 2. Refer to geberit.us for latest list of code-approved compatible lavatory fixtures

Products marked with  comply with the American Disabilities Act (ADA) when installed per the requirements of the latest ADA Accessibility Guidelines (ADAAG) and/or ICC/ANSI A117.1.



Geberit
 2100 S. Clearwater Drive
 Des Plaines, IL 60018
 USA

P 847-803-7777
F 847-849-1845

www.geberit.us



ARCHITECT/ENGINEER APPROVAL

Job Name: _____

Date: _____ Quantity: _____

Model Specified: _____

Variations Specified: _____

Customer/Wholesaler: _____

Contractor: _____

Architect: _____
