

13 273

EUROSMART® COSMOPOLITAN

TUB SPOUT

Pure Freude
an Wasser



STANDARD SPECIFICATION:

- GROHE StarLight®
- 6 11/16" Spout reach
- Wall mount
- 1/2" Inlet
- Push-down diverter activation



PRODUCT FEATURES:



GROHE StarLight®

CERTIFICATIONS:



- ADA
- WaterSense
- CEC Certified
- Massachusetts Plumbing Board Approved
- Energy Policy Act of 1992
- CSA B125.1
- ASME A112.18.1

AVAILABLE FINISHES:

13273000



GROHE StarLight® Chrome

NOTE: Install this product according to the installation guide. ADA, CSA compliant when installed to the specific requirements of these regulations.

We reserve the right to make revisions without notice to product specifications. 12-06-2021

US

Tel: 1.630.582.7711 Fax: 1.630.582.7722
For the most current Specification Sheet,
go to www.grohe.us.

Canada

Tel: 1.888.644.7643 Fax: 1.905.366.2071
For the most current Specification Sheet,
go to www.grohe.ca.

PART OF **LIXIL**

13 273

EUROSMART® COSMOPOLITAN

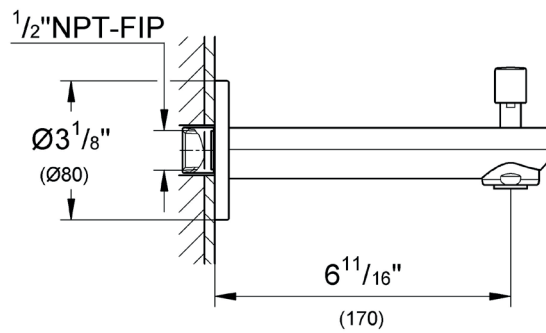
TUB SPOUT

Pure Freude
an Wasser



TECHNICAL DATA:

Product Height	3-1/8 in
Product Width	3-1/8 in
Fitting Spout Reach	6-11/16 in



13 272

EUROSMART® COSMOPOLITAN

TUB SPOUT

Pure Freude
an Wasser



STANDARD SPECIFICATION:

- GROHE StarLight®
- 6 11/16" Spout reach
- Wall mount
- 1/2" Inlet



PRODUCT FEATURES:



CERTIFICATIONS:

- Massachusetts Plumbing Board Approved
- Energy Policy Act of 1992
- CSA B125.1
- ASME A112.18.1

AVAILABLE FINISHES:

13272000



GROHE StarLight® Chrome

NOTE: Install this product according to the installation guide. ADA, CSA compliant when installed to the specific requirements of these regulations.

We reserve the right to make revisions without notice to product specifications. 12-06-2021

US

Tel: 1.630.582.7711 Fax: 1.630.582.7722
For the most current Specification Sheet,
go to www.grohe.us.

Canada

Tel: 1.888.644.7643 Fax: 1.905.366.2071
For the most current Specification Sheet,
go to www.grohe.ca.

PART OF **LIXIL**

13 272

EUROSMART® COSMOPOLITAN

TUB SPOUT

Pure Freude
an Wasser



TECHNICAL DATA:

Product Height	3-1/8 in
Product Width	3-1/8 in
Fitting Spout Reach	6-11/16 in
Fitting No of Holes Required	1

