

35 112

## GROHSAFE™ 3.0

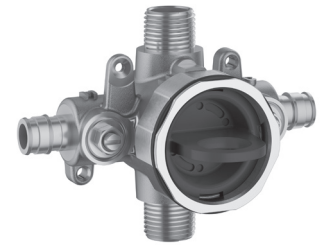
### PRESSURE BALANCE ROUGH-IN VALVE

Pure Freude  
an Wasser



#### STANDARD SPECIFICATION:

- 1/2" PEX cold expansion (ASTM F1960) inlets
- 1/2" Universal outlets
- Includes plug for 3-port installation
- Flush plug included
- Made of DZR Brass
- Service stops
- Can be tested using flush plug with air (200psi) or water (300psi).
- Cartridge ships with the trim



#### PRODUCT FEATURES:



#### CERTIFICATIONS:

- Massachusetts Plumbing Board Approved
- ASSE 1016
- CSA B125.1
- CSA B125.16
- ASME A112.18.1
- ASME A112.1016

#### AVAILABLE FINISHES:

**35112000** No Finish

NOTE: Install this product according to the installation guide. ADA, CSA compliant when installed to the specific requirements of these regulations.

We reserve the right to make revisions without notice to product specifications. 12-15-2021

**US**  
Tel: 1.630.582.7711 Fax: 1.630.582.7722  
For the most current Specification Sheet,  
go to [www.grohe.us](http://www.grohe.us).

**Canada**  
Tel: 1.888.644.7643 Fax: 1.905.366.2071  
For the most current Specification Sheet,  
go to [www.grohe.ca](http://www.grohe.ca).

PART OF **LIXIL**

35 112

# GROHSAFE™ 3.0

## PRESSURE BALANCE ROUGH-IN VALVE

Pure Freude  
an Wasser

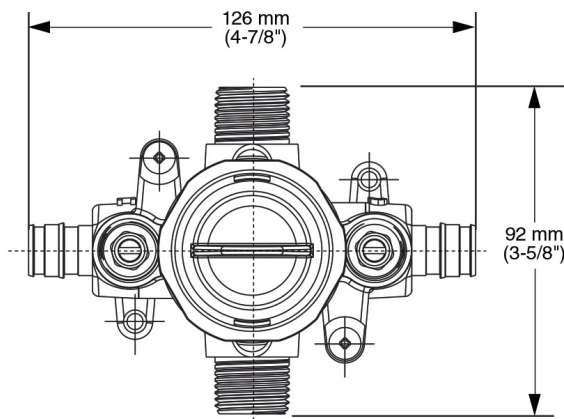


### TECHNICAL DATA:

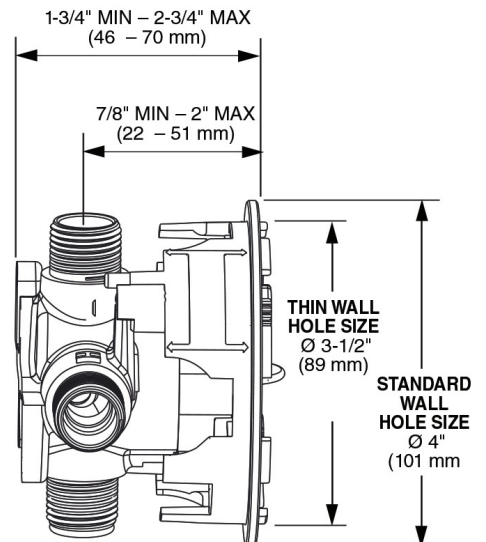
**35 112 000**

**INLETS**  
1/2" COLD  
EXPANSION PEX  
(ASTM F1960)

**OUTLETS**  
1/2" NOM.  
COPPER SWEAT  
or 1/2" NPT



### SIDE VIEW



35 110

## GROHSAFE™ 3.0

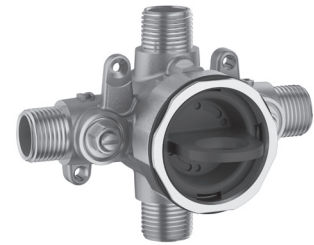
### PRESSURE BALANCE ROUGH-IN VALVE

Pure Freude  
an Wasser



#### STANDARD SPECIFICATION:

- 1/2" Universal inlets/outlets
- Includes plug for 3-port installation
- Flush plug included
- Made of DZR Brass
- Service stops
- Can be tested using flush plug with air (200psi) or water (300psi).
- Cartridge ships with the trim



#### PRODUCT FEATURES:



#### CERTIFICATIONS:

- Massachusetts Plumbing Board Approved
- ASSE 1016
- CSA B125.1
- CSA B125.16
- ASME A112.18.1
- ASME A112.1016

#### AVAILABLE FINISHES:

**35110000** No Finish

NOTE: Install this product according to the installation guide. ADA, CSA compliant when installed to the specific requirements of these regulations.

We reserve the right to make revisions without notice to product specifications. 01-04-2022

**US**  
Tel: 1.630.582.7711 Fax: 1.630.582.7722  
For the most current Specification Sheet,  
go to [www.grohe.us](http://www.grohe.us).

**Canada**  
Tel: 1.888.644.7643 Fax: 1.905.366.2071  
For the most current Specification Sheet,  
go to [www.grohe.ca](http://www.grohe.ca).

PART OF **LIXIL**

35 110

# GROHSAFE™ 3.0

## PRESSURE BALANCE ROUGH-IN VALVE

Pure Freude  
an Wasser



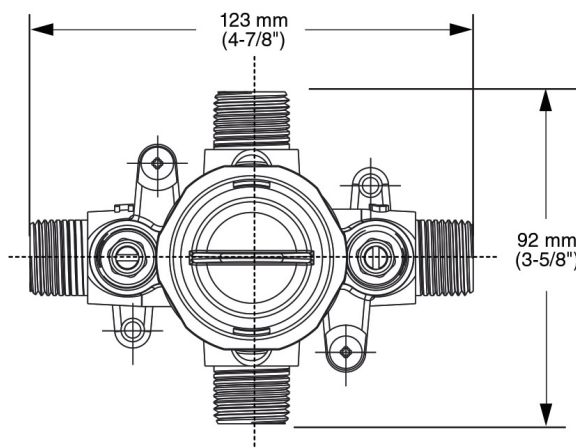
### TECHNICAL DATA:

Product Height	3-5/8 in
Product Length	2-3/4 in
Product Width	4-7/8 in

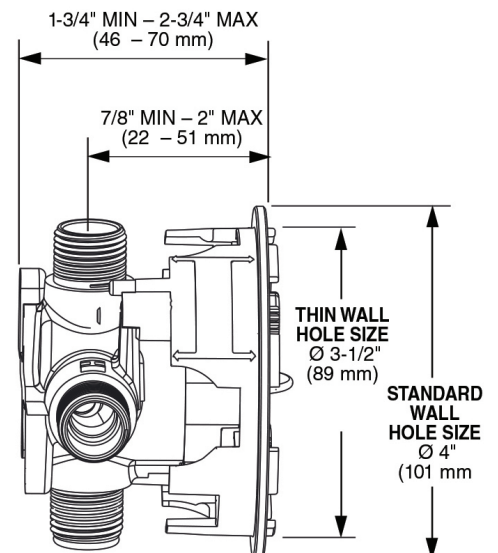
**35 110 000**

**INLETS**  
1/2" NOM.  
COPPER SWEAT  
OR 1/2" NPT

**OUTLETS**  
1/2" NOM.  
COPPER SWEAT  
OR 1/2" NPT



### SIDE VIEW



35 113

## GROHSAFE™ 3.0

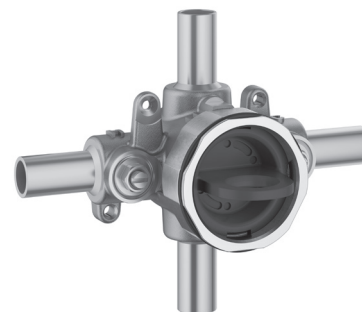
### PRESSURE BALANCE ROUGH-IN VALVE

Pure Freude  
an Wasser



#### STANDARD SPECIFICATION:

- 1/2" Stub-out inlets/outlets
- Accepts 1/2" press-connect fittings
- Flush plug included
- Made of DZR Brass
- Service stops
- Can be tested using flush plug with air (200psi) or water (300psi).
- Cartridge ships with the trim



#### PRODUCT FEATURES:



#### CERTIFICATIONS:

- Massachusetts Plumbing Board Approved
- ASSE 1016
- CSA B125.1
- CSA B125.16
- ASME A112.18.1
- ASME A112.1016

#### AVAILABLE FINISHES:

**35113000** No Finish

NOTE: Install this product according to the installation guide. ADA, CSA compliant when installed to the specific requirements of these regulations.

We reserve the right to make revisions without notice to product specifications. 12-15-2021

**US**  
Tel: 1.630.582.7711 Fax: 1.630.582.7722  
For the most current Specification Sheet,  
go to [www.grohe.us](http://www.grohe.us).

**Canada**  
Tel: 1.888.644.7643 Fax: 1.905.366.2071  
For the most current Specification Sheet,  
go to [www.grohe.ca](http://www.grohe.ca).

PART OF **LIXIL**

35 113

# GROHSAFE™ 3.0

## PRESSURE BALANCE ROUGH-IN VALVE

Pure Freude  
an Wasser

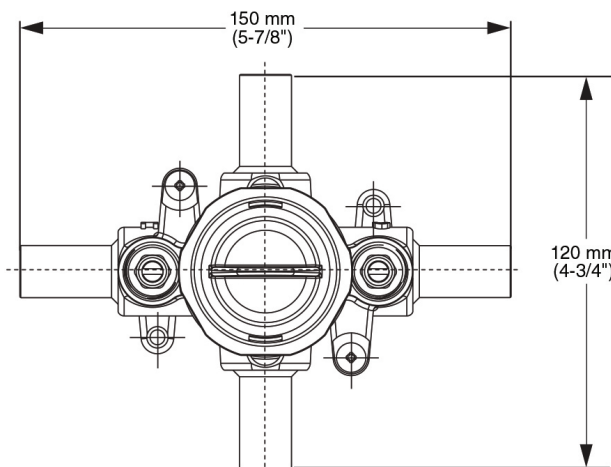


### TECHNICAL DATA:

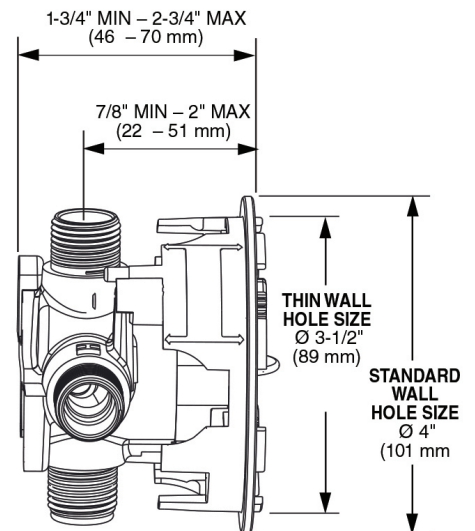
**35 113 000**

**INLETS**  
1/2" STUB OUT

**OUTLETS**  
1/2" STUB OUT



### SIDE VIEW



35 111

## GROHSAFE™ 3.0

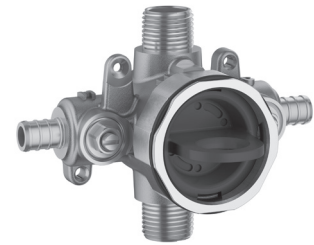
### PRESSURE BALANCE ROUGH-IN VALVE

Pure Freude  
an Wasser



#### STANDARD SPECIFICATION:

- 1/2" PEX crimp (ASTM F1807) inlets
- 1/2" Universal outlets
- Includes plug for 3-port installation
- Flush plug included
- Made of DZR Brass
- Service stops
- Can be tested using flush plug with air (200psi) or water (300psi).
- Cartridge ships with the trim



#### PRODUCT FEATURES:



#### CERTIFICATIONS:

- Massachusetts Plumbing Board Approved
- ASSE 1016
- CSA B125.1
- CSA B125.16
- ASME A112.18.1
- ASME A112.1016

#### AVAILABLE FINISHES:

**35111000** No Finish

NOTE: Install this product according to the installation guide. ADA, CSA compliant when installed to the specific requirements of these regulations.

We reserve the right to make revisions without notice to product specifications. 01-04-2022

**US**  
Tel: 1.630.582.7711 Fax: 1.630.582.7722  
For the most current Specification Sheet,  
go to [www.grohe.us](http://www.grohe.us).

**Canada**  
Tel: 1.888.644.7643 Fax: 1.905.366.2071  
For the most current Specification Sheet,  
go to [www.grohe.ca](http://www.grohe.ca).

PART OF **LIXIL**

35 111

# GROHSAFE™ 3.0

## PRESSURE BALANCE ROUGH-IN VALVE

Pure Freude  
an Wasser

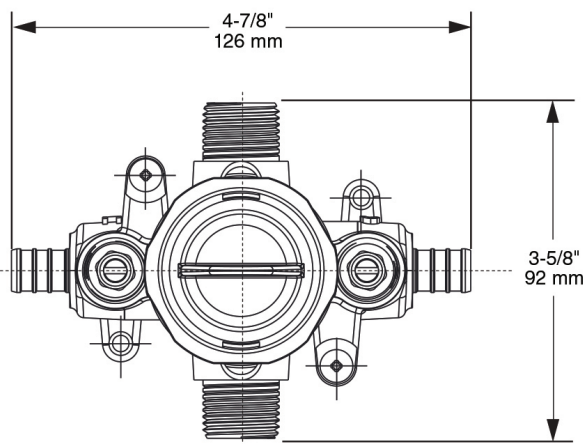


### TECHNICAL DATA:

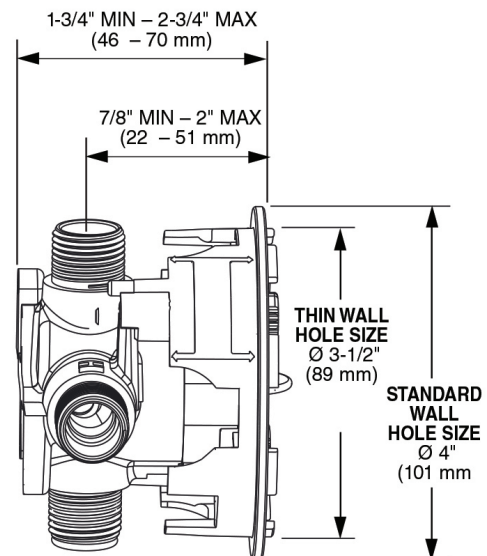
**35 111 000**

**INLETS**  
1/2" PEX  
(ASTM F1807-2)

**OUTLETS**  
1/2" NOM.  
COPPER SWEAT  
OR 1/2" NPT



### SIDE VIEW





35 116

## GROHSAFE™ 3.0

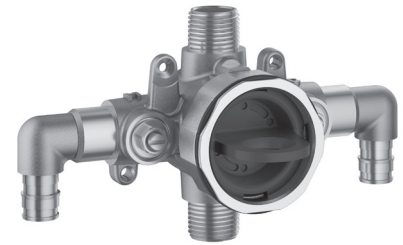
### PRESSURE BALANCE ROUGH-IN VALVE

Pure Freude  
an Wasser



#### STANDARD SPECIFICATION:

- 1/2" PEX cold expansion (ASTM F1960) Elbow inlets
- 1/2" Universal outlets
- Includes plug for 3-port installation
- Flush plug included
- Valve can be rotated 180° to accommodate floor or ceiling supplies
- Made of DZR Brass
- Service stops
- Can be tested using flush plug with air (200psi) or water (300psi).
- Cartridge ships with the trim



#### PRODUCT FEATURES:



#### CERTIFICATIONS:

- Massachusetts Plumbing Board Approved
- ASSE 1016
- CSA B125.1
- CSA B125.16
- ASME A112.18.1
- ASME A112.1016

#### AVAILABLE FINISHES:

**35116000** No Finish

NOTE: Install this product according to the installation guide. ADA, CSA compliant when installed to the specific requirements of these regulations.

We reserve the right to make revisions without notice to product specifications. 12-15-2021

**US**  
Tel: 1.630.582.7711 Fax: 1.630.582.7722  
For the most current Specification Sheet,  
go to [www.grohe.us](http://www.grohe.us).

**Canada**  
Tel: 1.888.644.7643 Fax: 1.905.366.2071  
For the most current Specification Sheet,  
go to [www.grohe.ca](http://www.grohe.ca).

PART OF **LIXIL**

35 116

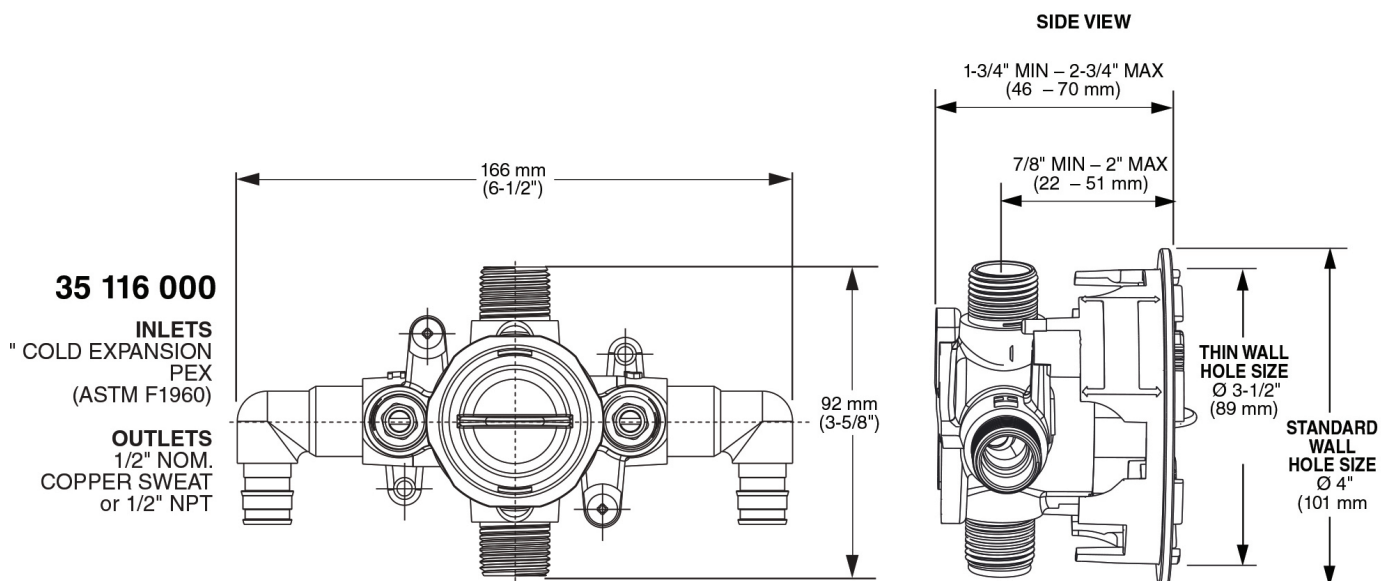
# GROHSAFE™ 3.0

## PRESSURE BALANCE ROUGH-IN VALVE

Pure Freude  
an Wasser



### TECHNICAL DATA:



35 115

## GROHSAFE™ 3.0

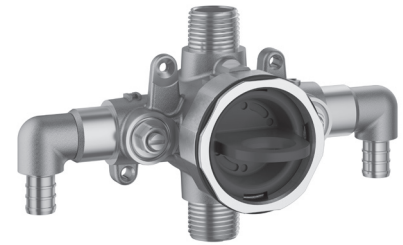
### PRESSURE BALANCE ROUGH-IN VALVE

Pure Freude  
an Wasser



#### STANDARD SPECIFICATION:

- 1/2" PEX crimp (ASTM F1807) Elbow inlets
- 1/2" Universal outlets
- Includes plug for 3-port installation
- Flush plug included
- Valve can be rotated 180° to accommodate floor or ceiling supplies
- Made of DZR Brass
- Service stops
- Can be tested using flush plug with air (200psi) or water (300psi).
- Cartridge ships with the trim



#### PRODUCT FEATURES:



#### CERTIFICATIONS:

- Massachusetts Plumbing Board Approved
- ASSE 1016
- CSA B125.1
- CSA B125.16
- ASME A112.18.1
- ASME A112.1016

#### AVAILABLE FINISHES:

**35115000** No Finish

NOTE: Install this product according to the installation guide. ADA, CSA compliant when installed to the specific requirements of these regulations.

We reserve the right to make revisions without notice to product specifications. 12-15-2021

**US**  
Tel: 1.630.582.7711 Fax: 1.630.582.7722  
For the most current Specification Sheet,  
go to [www.grohe.us](http://www.grohe.us).

**Canada**  
Tel: 1.888.644.7643 Fax: 1.905.366.2071  
For the most current Specification Sheet,  
go to [www.grohe.ca](http://www.grohe.ca).

PART OF **LIXIL**

35 115

# GROHSAFE™ 3.0

## PRESSURE BALANCE ROUGH-IN VALVE

Pure Freude  
an Wasser

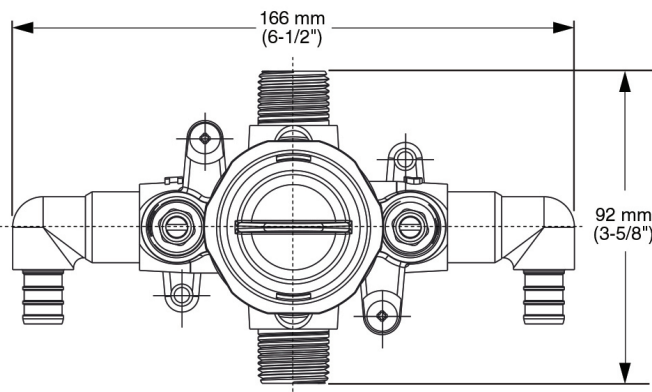


### TECHNICAL DATA:

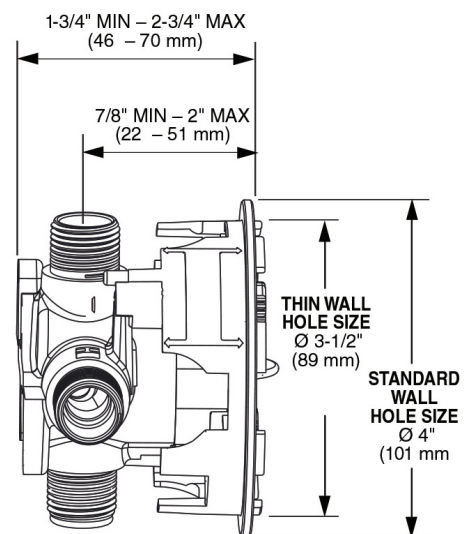
**35 115 000**

**INLETS**  
1/2" CRIMP PEX  
(ASTM F1807-2)

**OUTLETS**  
1/2" NOM.  
COPPER SWEAT  
or 1/2" NPT



### SIDE VIEW



# 35114

## GROHSAFE™ 3.0 PRESSURE BALANCE VALVE ROUGH WITH CPVC OUTLETS

Pure Freude  
an Wasser



### STANDARD SPECIFICATION:

- 1/2" CPVC inlets
- 1/2" Universal outlets
- Includes plug for 3-port installation
- Flush plug included
- Made of DZR Brass
- Service stops
- Can be tested using flush plug with air (200 psi) or water (300 psi).
- Cartridge ships with the trim



### PRODUCT FEATURES:

 GROHE QuickFix®

### CERTIFICATIONS:

- ASSE 1016
- CSA B125.1
- CSA B125.16
- ASME A112.18.1
- ASME A112.1016

### AVAILABLE FINISHES:

35114000

GROHE NO FINISH

NOTE: Install this product according to the installation guide. ADA, CSA compliant when installed to the specific requirements of these regulations.

Tel: 1.630.582.7711 Fax: 1.630.582.7722

We reserve the right to make revisions without notice to product specifications.

For the most current Specification Sheet, go to [www.grohe.us](http://www.grohe.us).

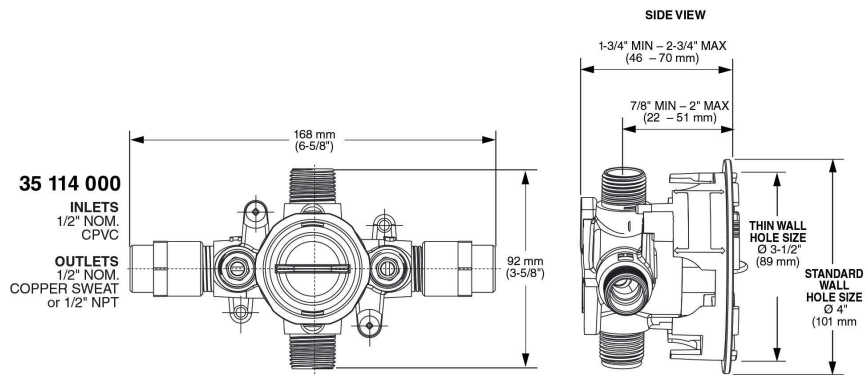
02-16-2020

PART OF **LIXIL**

# 35114

## GROHSAFE™ 3.0 PRESSURE BALANCE VALVE ROUGH WITH CPVC OUTLETS

Pure Freude  
an Wasser



Tel: 1.630.582.7711 Fax: 1.630.582.7722

We reserve the right to make revisions without notice to product specifications.

For the most current Specification Sheet, go to [www.grohe.us](http://www.grohe.us).

02-16-2020

PART OF LIXIL