

29 273

VOLUME CONTROL

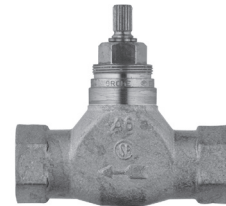
1/2" VOLUME CONTROL ROUGH-IN VALVE

Pure Freude
an Wasser



STANDARD SPECIFICATION:

- 1/2" NPT Connection



PRODUCT FEATURES:



CERTIFICATIONS:

- Massachusetts Plumbing Board Approved
- CSA B125.1
- ASME A112.18.1

AVAILABLE FINISHES:

29273000 No Finish

NOTE: Install this product according to the installation guide. ADA, CSA compliant when installed to the specific requirements of these regulations.

We reserve the right to make revisions without notice to product specifications. 01-21-2022

US
Tel: 1.630.582.7711 Fax: 1.630.582.7722
For the most current Specification Sheet,
go to www.grohe.us.

Canada
Tel: 1.888.644.7643 Fax: 1.905.366.2071
For the most current Specification Sheet,
go to www.grohe.ca.

PART OF **LIXIL**

29 273

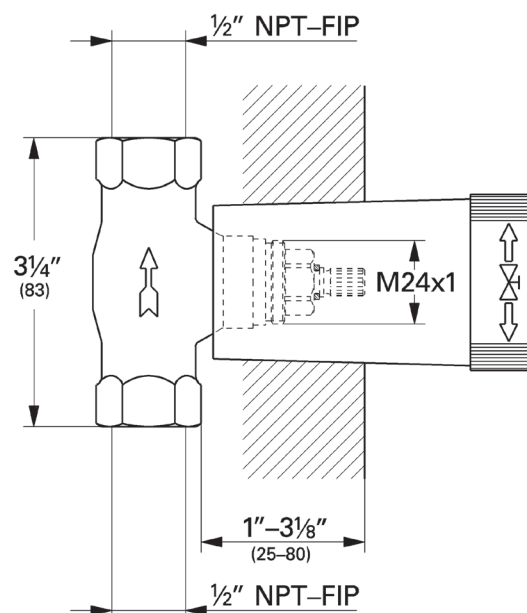
VOLUME CONTROL

1/2" VOLUME CONTROL ROUGH-IN VALVE

Pure Freude
an Wasser



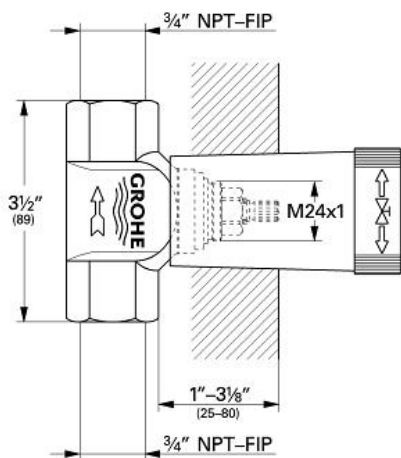
TECHNICAL DATA:



3/4" Rough-In Valve

MODEL # 29274000

Pure Freude
an Wasser



Product Description:

3/4" Rough-In Valve

Standard Specification:

- 3/4" Threaded union

Applicable Codes & Standards:

- Energy Policy Act of 1992
- ASME A112.18.1/CSA B125.1

Color:

□ 29274000

