

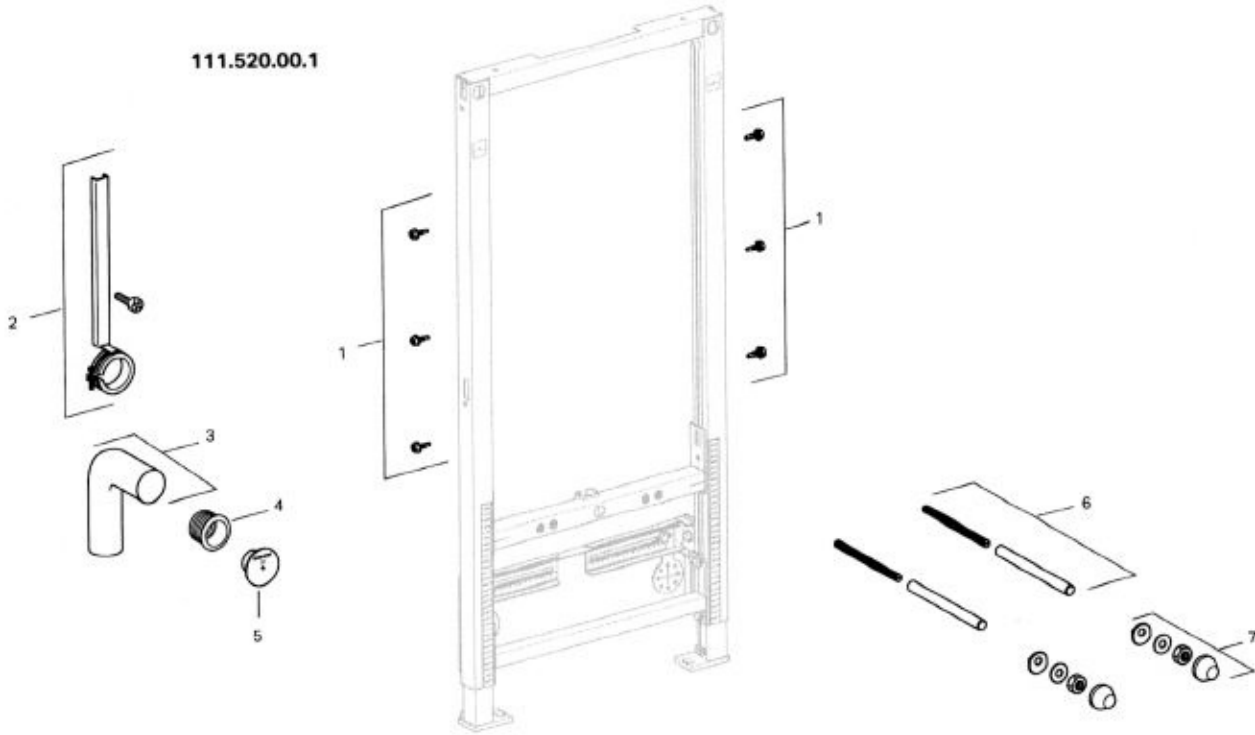
Replacement Parts

Geberit Duofix Carriers 111.520.00.1 and 111.524.00.1

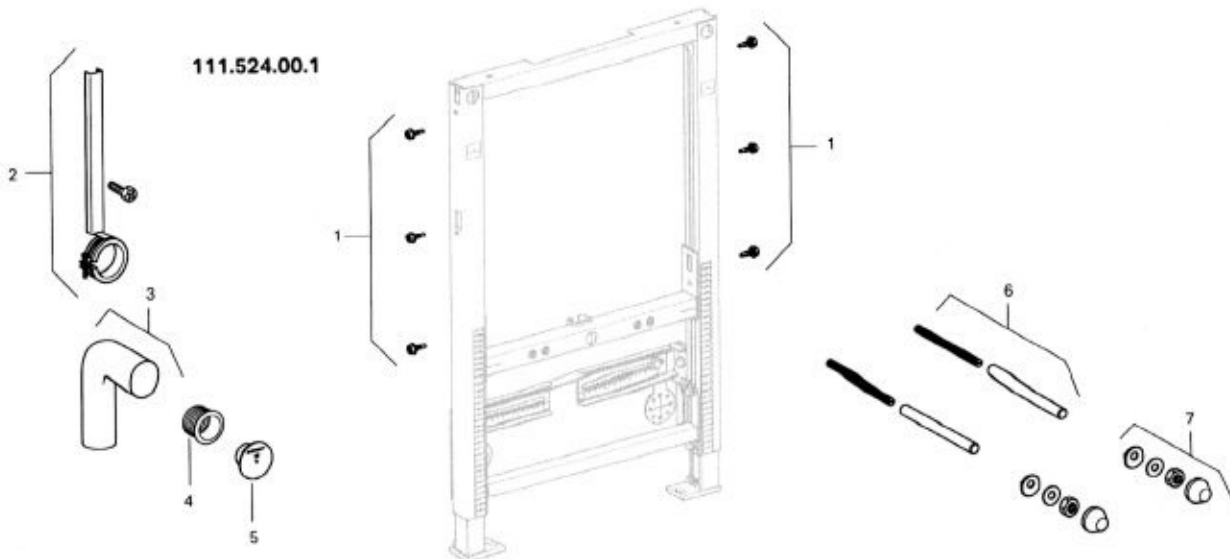
Item	Model No.	Description
1	111.892.00.1	Frame mounting screws for steel stud construction, galvanized, self-tapping
2	241.066.00.1	Pipe mounting bracket
3	241.067.16.1	Outlet bend - 90 degrees
4	152.682.00.1	Outlet seal, EPDM, push on for Ø1.97" (Ø50 mm) tube

Item	Model No.	Description
5	240.306.00.1	Protection plug, Ø1.26" (Ø32 mm)
6	240.189.00.1	Threaded rod for wall-mounted toilet or bidet installation
7	217.713.46.1	Cover caps with leveling washer, plastic, Matte Chrome

111.520.00.1



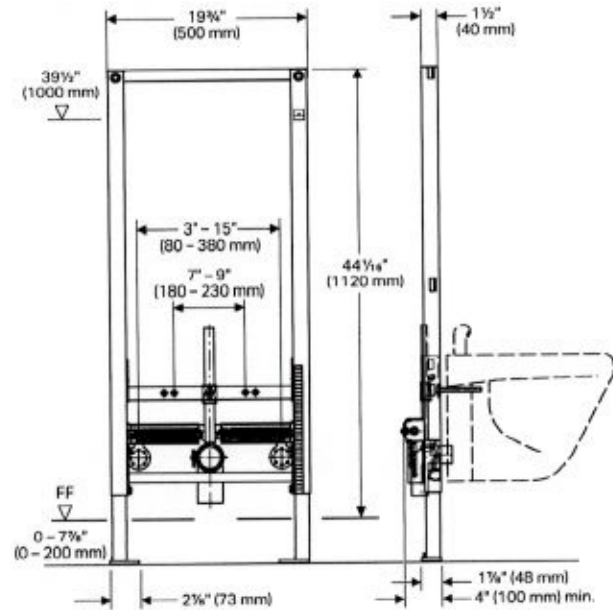
111.524.00.1



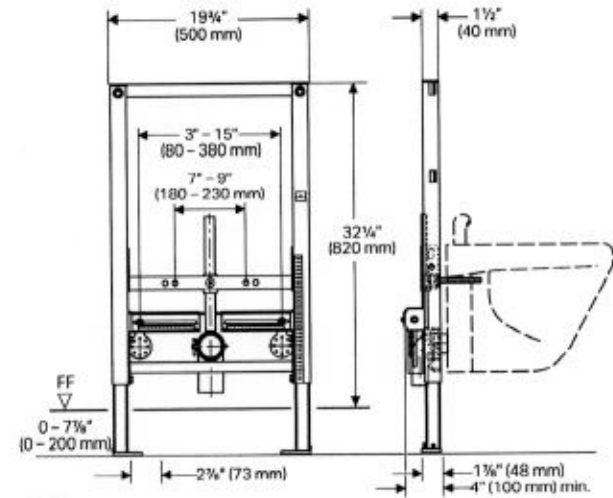
Systems for Wall-Hung Bidets

Geberit Duofix Carriers

Model No.	Description
111.520.00.1	Carrier frame, standard height



111.524.00.1 Carrier frame, short height (matches 111.012.00.1) \$557.00



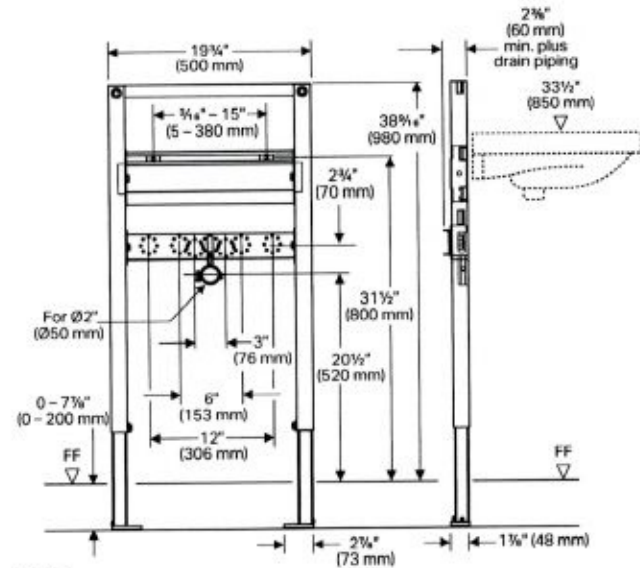
- NOTES:
1. Geberit Duofix Carrier for 2-hole wall-hung bidet fixtures only
 2. Refer to → geberit.us for latest list of code-approved compatible bidet fixtures

Note: For System Accessories see pages 16-18.


System for Wall-Hung Lavatories

Geberit Duofix Carrier

Model No.	Description
111.490.00.1	Carrier frame, short height (matches 111.012.00.1)



- NOTES:
1. Geberit Duofix Carrier for 2-hole wall-hung lavatory fixtures only
 2. Refer to → geberit.us for latest list of code-approved compatible lavatory fixtures

Products marked with  comply with the American Disabilities Act (ADA) when installed per the requirements of the latest ADA Accessibility Guidelines (ADAAG) and/or ICC/ANSI A117.1.

System Accessories

Geberit Optional and Required Accessories for Installation



Description Model Number **111.335 111.798 111.012 111.520 111.524 111.490 111.625 109.304**

OPTIONAL Connection Sets and Accessories for Finished Walls up to 3.5" (9cm) Thick

	Connector set with mounting hardware (bowl installation kit), HDPE; Alpine White cover caps	152.404.11.1		✓	✓	✓					
	PE syphon trap with horizontal outlet and seat; Ø1.96" (Ø50 mm) outlet	152.950.11.1								✓	
	PE syphon trap with vertical outlet and seat; Ø1.97" (Ø50 mm) outlet	152.951.11.1								✓	
	Acoustic insulation set for wall-hung toilets and bidets	156.050.00.1		✓	✓	✓	✓	✓			
	Cover caps with leveling washer, plastic, Alpine White	217.713.11.1		✓	✓	✓	✓	✓	✓		
	HDPE connection set with 1" (2.5 cm) offset and mounting hardware (bowl installation kit); with socket for Ø3.50" (Ø90 mm) push fit piping and Ø55 supply inlet; Matte Chrome cover caps	405.116.00.1		✓	✓	✓					✓

REQUIRED Connection Sets and Accessories for Finished Walls 3.5" - 7.0" (9-18cm) Thick

	HDPE Connector set for extended installation and mounting hardware (bowl installation kit), with socket for Ø3.50" (Ø90 mm) push fit piping and Ø2.16" (Ø55 mm) supply inlet; Matte Chrome cover caps	152.438.46.1		✓	✓	✓					✓
	Extension set for actuator plates for Sigma Concealed Tanks 2x6 and 2x4, Kappa and Omega Concealed Tanks	240.938.00.1		✓	✓	✓					✓
	Mud guard protection housing for Sigma Concealed Tanks 2x6 and 2x4, plastic, 4 inch (10 cm)	241.826.00.1		✓	✓						✓
	Mud guard protection housing and extension set for urinal carrier	241.930.00.1								✓	
	Mounting rod M12 x 10" long. Not supplied.	M12 x 10"	—	✓	✓	✓	✓	✓			
	Mounting rod M10 x 10" long. Not supplied.	M10 x 10"	—							✓	
	Mounting rod M8 x 10" long. Not supplied.	M8 x 10"	—							✓	

System Accessories

Geberit Optional and Required Accessories for Installation



Description Model Number 111.335 111.798 111.012 111.520 111.524 111.490 111.625 109.304

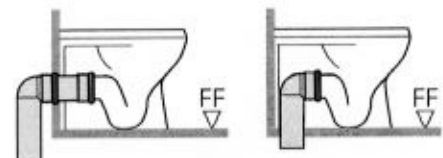
OPTIONAL Installation Waste Fitting Accessories

	PP connector set with bend for floor-mount toilets with mounting hardware, 1 x 90° bends with socket for Ø4.375" (Ø110 mm) push fit piping for Ø3.82"-4.21" (Ø97-107 mm) male connection and expansion to Ø4.375" (Ø110 mm) outlet	152.647.00.1																	✓ (For A or B discharge. See below)
	HDPE waste fitting outlet bend, 1 x 90° bend with socket for Ø3.50" (Ø90 mm) push fit piping and Ø3.50" (Ø90 mm) outlet	366.061.16.1																	✓ (For A discharge. See below)
	HDPE straight connector with socket for Ø3.50" (Ø90 mm) push fit piping and Ø3.50" (Ø90 mm) outlet x 12" (31 cm) long	366.887.16.1			✓	✓	✓												✓ (For A discharge. See below)
	HDPE connector with offset for LH horizontal drain connections (as viewed from sitting position), 1 x 90° bend with socket for Ø3.50" (Ø90 mm) push fit piping, with 45° offset and Ø3.50" (Ø90 mm) outlet for 5.5" (13.97 cm) minimum walls only.	366.913.16.1			✓	✓	✓												✓ (For A discharge. See below)
	HDPE connector with offset for RH horizontal drain connections (as viewed from sitting position), 1 x 90° bend with socket for Ø3.50" (Ø90 mm) push fit piping, with 45° offset and Ø3.50" (Ø90 mm) outlet for 5.5" (13.97 cm) minimum walls only.	366.914.16.1			✓	✓	✓												✓ (For A discharge. See below)
	Cast iron outlet bend, 1 x 90° bend with socket for Ø3.50" (Ø90 mm) push fit piping and 3" CIP outlet	367.071.18.1			✓	✓	✓												✓ (For A discharge. See below)
	HDPE "Back-to-back" connector for horizontal drain connections; 2 x 90° bends with sockets for Ø3.50" (Ø90 mm) push fit piping, with 45° offset and expansion to Ø4.375" (Ø110 mm) outlet for 10.75" (27.31 cm) minimum walls only.	367.485.16.1			✓	✓	✓												✓ (For A or B discharge. See below)
	HDPE "Back-to-back" connector for vertical drain connections; 2 x 90° bends with sockets for Ø3.50" (Ø90 mm) push fit piping and expansion to Ø4.375" (Ø110 mm) outlet for 10.75" (27.31 cm) minimum walls only.	367.923.16.1			✓	✓	✓												✓ (For A or B discharge. See below)

Note: Any of these fittings in combination with carrier 111.798.00.1 are cUPC and IPC listed.

Waste Fitting Discharge Configurations for Floor Mount Back Outlet Toilets

Note: Mounting collar/clamp by installer



A. Floor-Mount Rear Discharge into Wall

B. Floor-Mount Rear Discharge into Floor