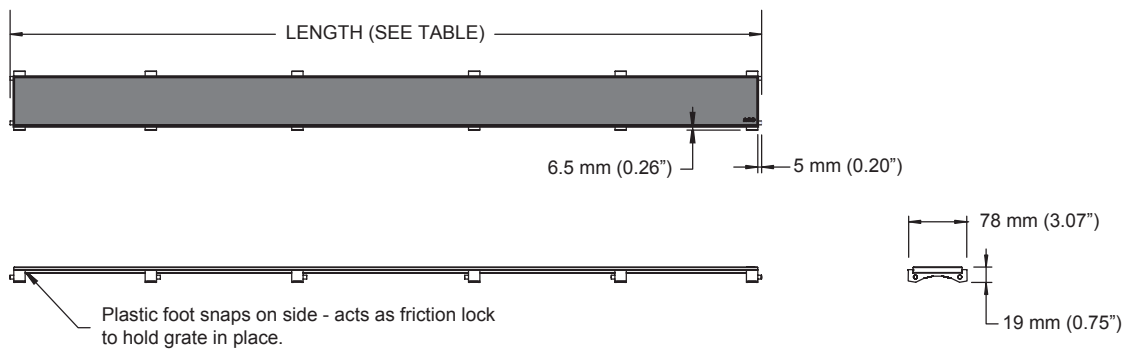


# Shower Channel - Glass Grate



## Product Table

Length mm (in)	700 (27.55)	800 (31.50)	900 (35.43)	1000 (39.37)	1200 (47.24)	Replacement grate lifting key	Foot Color
Width mm (in)	78 (3.07)	78 (3.07)	78 (3.07)	78 (3.07)	78 (3.07)	n/a	
Part No. Black	<b>9010.56.67</b>	<b>9010.56.68</b>	<b>9010.56.69</b>	<b>9010.56.70</b>	<b>9010.56.71</b>	<b>37339</b>	
Part No. White	<b>9010.56.72</b>	<b>9010.56.73</b>	<b>9010.56.74</b>	<b>9010.56.75</b>	<b>9010.56.76</b>	<b>37339</b>	
Part No. Gray	<b>9010.56.77</b>	<b>9010.56.78</b>	<b>9010.56.79</b>	<b>9010.56.80</b>	<b>9010.56.81</b>	<b>37339</b>	
Weight kg (lbs)	0.77 (1.7)	0.86 (1.9)	0.99 (2.2)	1.08 (2.4)	1.31 (2.9)	0.04 (0.1)	
Intake area sq. cm (sq. in)	99.29 (15.39)	114.25 (17.71)	129.22 (20.03)	144.19 (22.35)	172.12 (26.68)	n/a	

## Specification Clause

The QuARTz ACO ShowerDrain channel shall be stainless steel grade 304 3mm bar with anti-slip nodules, and the grate shall be tempered glass, manufactured by ACO, Inc. and supplied by ACO Systems, Ltd.

The surface finish shall be Glass.

Grate shall be 78 mm (3.07") wide, with length as specified on Architects plans / Architects specification.

Shower channel shall be Plain Edge OR Flanged Edge. (See separate Spec Info Sheet for details)

ACO recommends checking local plumbing codes prior to installation.

The system shall be installed in accordance with the manufacturer's instructions and recommendations.

### ACO Systems, Ltd.

**East Office**  
1-2880 Brighton Rd.  
Oakville, ON L6H 5S3  
Tel: (905) 829-0665  
Fax: (905) 829-2908

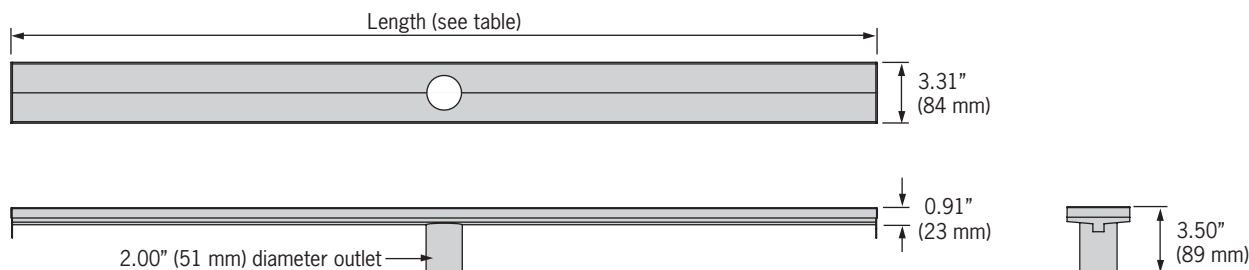
**West Office**  
118-1750 Coast Meridian Rd.  
Port Coquitlam, BC V3C 6R8  
Tel: (604) 554-0688  
Fax: (604) 554-0693



**Electronic Contact:**  
Eml: info@acocan.ca  
Web: www.quartzbyaco.ca

# Shower Channel - Plain edge

## For CPE membranes



## Product Table

Length (mm) inches	700 27.55	800 31.50	900 35.43	1000 39.37	1200 47.24	1400 55.12	PVC membrane coupling	Cast iron membrane coupling
Width (mm) inches	84 3.31	84 3.31	84 3.31	84 3.31	84 3.31	84 3.31	n/a	n/a
Part No. Electro-polished	93861	93864	93865	93869	93872	93816	93871	93822
Part No. Oil-rubbed bronze	93180	93187	93184	93189	93182	93177	93871	93822
Weight lbs	2.5	2.6	3.0	3.2	3.7	4.2	1.1	4.7

## Specification Clause

The QuARTz ACO ShowerDrain channel and grate system shall be stainless steel grade 304 manufactured by ACO Polymer Products, Inc. USA. The surface finish shall be Electropolished\* OR Oil Rubbed Bronze\*. Grate shall be Flag\*/Hawaii\*/Mix\*/Pixel\*/Quadrato\*/Wave\*/Tile\*.

Shower channels shall be 3.31" (84mm) wide, with length as specified on Architects plans / Architects specification. Outlet spigot (O.D.) diameter shall be 50mm (2.0").

The PVC or cast iron membrane coupling [to provide connection to S/S spigot of shower channel and plumbing pipe system] shall be supplied by ACO Polymer Products Inc. This PVC or cast iron drain body will provide clamping ability for waterproof membrane. (supplied by others)

ACO recommends checking local plumbing codes prior to installation.

The system shall be installed in accordance with the manufacturer's instructions and recommendations.

\*Delete as necessary


### ACO Polymer Products, Inc.

**West Sales Office**  
825 W. Beechcraft St.  
Casa Grande, AZ 85122  
Tel: (520) 421-9988  
Toll Free: (888) 490-9552  
Fax: (520) 421-9899

**East Sales Office**  
9470 Pinecone Dr.  
Mentor, OH 44060  
Tel: (440) 639-7230  
Toll free: (800) 543-4764  
Fax: (440) 639-7235

**Southeast Sales Office**  
4211 Pleasant Rd  
Ft. Mill, SC 29708  
Tel: (800) 543-4764  
Toll Free: (800) 662-2377  
Fax: (803) 802-1063

Follow us on  


  
**Electronic Contact:**  
 info@QuARTzbyACO.com  
 www.QuARTzbyACO.com

