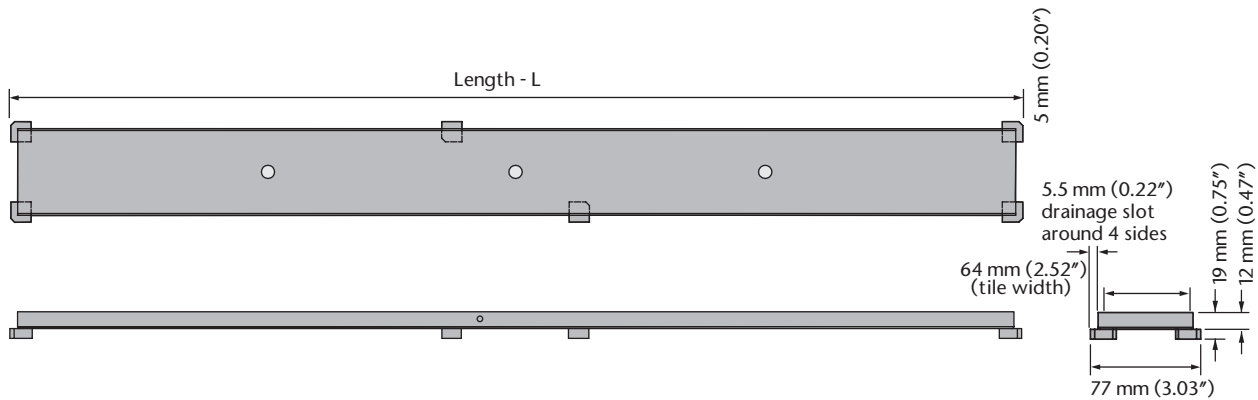


Shower Channel - Tile Grate



Product Table

| Length mm (in) | 700 (27.55) | 800 (31.50) | 900 (35.43) | 1000 (39.37) | 1200 (47.24) | 1400 (55.12) | Replacement grate lifting key |
|----------------------------------|-----------------|-----------------|------------------|------------------|------------------|-----------------|-------------------------------------|
| Width mm (in) | 77 (3.03) | 77 (3.03) | 77 (3.03) | 77 (3.03) | 77 (3.03) | 77 (3.03) | n/a |
| Part No. Electro- polished | 37335 | 37338 | 37336 | 37334 | 37332 | 37419 | 37339 |
| Part No. Oil-rubbed bronze | 37327 | 37300 | 37331 | 37323 | 37310 | 37298 | 37339 |
| Weight kg (lbs) | 0.77 (1.7) | 0.90 (2.0) | 0.99 (2.2) | 1.13 (2.5) | 1.31 (2.9) | 1.49 (3.3) | 0.04 (0.1) |
| Intake area sq. cm (sq. in) | 83.8 (13.00) | 94.7 (14.69) | 105.9 (16.42) | 116.7 (18.10) | 138.7 (21.50) | 160.6 (24.9) | n/a |

Specification Clause

The QuARTz ACO ShowerDrain channel and Tile grate system shall be stainless steel grade 304 manufactured by ACO, Inc. USA.

The surface finish shall be Electropolished OR Oil Rubbed Bronze.

Grate shall be 77 mm (3.03") wide, with length as specified on Architects plans / Architects specification.

Shower channel shall be Plain Edge OR Flanged Edge. (See separate Spec Info Sheet for details)

ACO recommends checking local plumbing codes prior to installation.

The system shall be installed in accordance with the manufacturer's instructions and recommendations.

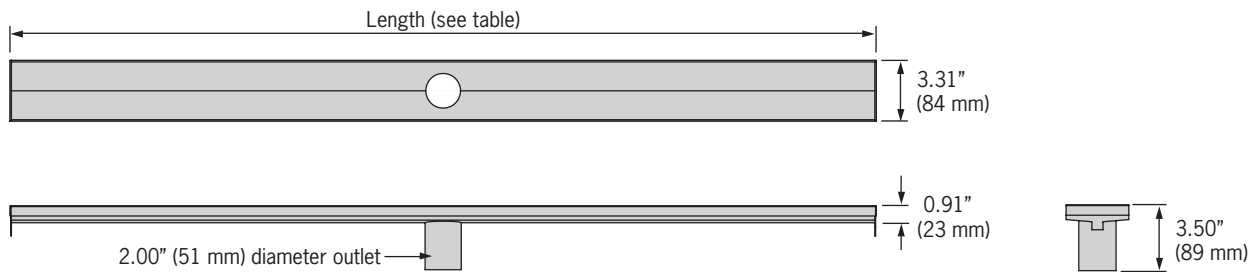
ACO Systems, Ltd.
1-2880 Brighton Rd.
Oakville, ON L6H 5S3
Tel: (905) 829-0665
Fax: (905) 829-2908

Electronic Contact:
Eml: info@acocan.ca
Web: www.acoshowerdrain.ca



Shower Channel - Plain edge

For CPE membranes



Product Table

| Length (mm) inches | 700 27.55 | 800 31.50 | 900 35.43 | 1000 39.37 | 1200 47.24 | 1400 55.12 | PVC membrane coupling | Cast iron membrane coupling |
|-------------------------------|--------------|--------------|--------------|---------------|---------------|---------------|-----------------------------|-----------------------------------|
| Width (mm) inches | 84 3.31 | 84 3.31 | 84 3.31 | 84 3.31 | 84 3.31 | 84 3.31 | n/a | n/a |
| Part No. Electro-polished | 93861 | 93864 | 93865 | 93869 | 93872 | 93816 | 93871 | 93822 |
| Part No. Oil-rubbed bronze | 93180 | 93187 | 93184 | 93189 | 93182 | 93177 | 93871 | 93822 |
| Weight lbs | 2.5 | 2.6 | 3.0 | 3.2 | 3.7 | 4.2 | 1.1 | 4.7 |

Specification Clause

The QuARTz ACO ShowerDrain channel and grate system shall be stainless steel grade 304 manufactured by ACO Polymer Products, Inc. USA. The surface finish shall be Electropolished* OR Oil Rubbed Bronze*. Grate shall be Flag*/Hawaii*/Mix*/Pixel*/Quadrato*/Wave*/Tile*.

Shower channels shall be 3.31" (84mm) wide, with length as specified on Architects plans / Architects specification. Outlet spigot (O.D.) diameter shall be 50mm (2.0").

The PVC or cast iron membrane coupling [to provide connection to S/S spigot of shower channel and plumbing pipe system] shall be supplied by ACO Polymer Products Inc. This PVC or cast iron drain body will provide clamping ability for waterproof membrane. (supplied by others)

ACO recommends checking local plumbing codes prior to installation.

The system shall be installed in accordance with the manufacturer's instructions and recommendations.

*Delete as necessary

ACO Polymer Products, Inc.

West Sales Office
825 W. Beechcraft St.
Casa Grande, AZ 85122
Tel: (520) 421-9988
Toll Free: (888) 490-9552
Fax: (520) 421-9899

East Sales Office
9470 Pinecone Dr.
Mentor, OH 44060
Tel: (440) 639-7230
Toll free: (800) 543-4764
Fax: (440) 639-7235

Southeast Sales Office
4211 Pleasant Rd
Ft. Mill, SC 29708
Tel: (800) 543-4764
Toll Free: (800) 662-2377
Fax: (803) 802-1063

Follow us on



Electronic Contact:
 info@QuARTzbyACO.com
 www.QuARTzbyACO.com

