





10" Showerhead	CASH10-RD
Round 16" wall arm	CASA16-RD
Vertical Thermostatic Rough	CALVRV-1
Round Thermostatic trim	CALVTV-RD
Round handshower	CAHS-RD
Round Sliding bar	CABAR-RD
69" Neoprene hose	CAHOSE
Round wall outlet	CAVOUT-RD



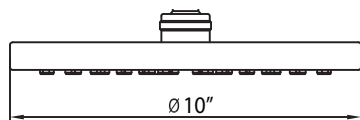
- Showerhead flow rate: 8.5L/min @60psi
- Handshower flow rate: 12L/min @ 60psi
- Handshower in BN & BG are single function
- Valve flow rate: 45L/min @ 60psi
- 1/2" inlet
- Individual & Dual Functions

**AVAILABLE FINISHES**





- PC  CHROME
- MB  MATTE BLACK

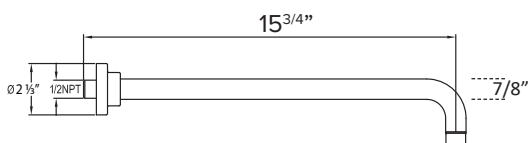


Round 10" showerhead  
Anti-Calcium Nipples  
Flow rate: 8.5L/min



**AVAILABLE FINISHES**

- PC  CHROME
- MB  MATTE BLACK
- BG  BRUSHED GOLD
- BN  BRUSHED NICKEL



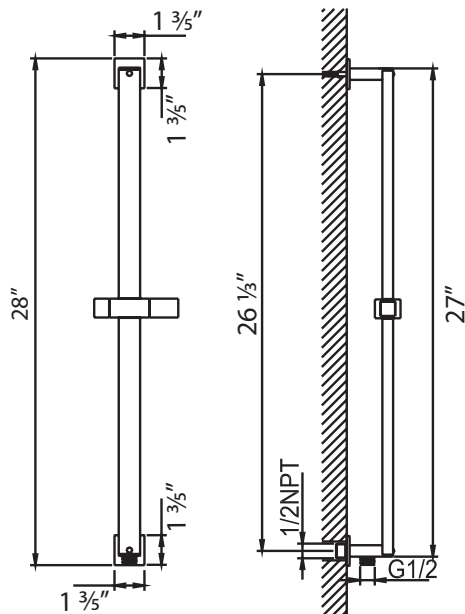
**AVAILABLE FINISHES**

- PC  CHROME
- MB  MATTE BLACK
- BG  BRUSHED GOLD
- BN  BRUSHED NICKEL

**OUTLET NOT INCLUDED**

**FEATURES**

- Round sliding bar for handshower
- Pair with wall outlet

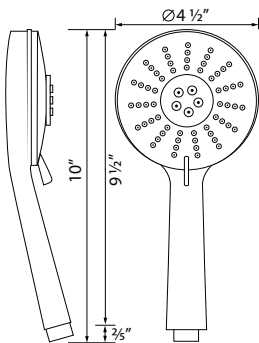


**AVAILABLE FINISHES**

- PC  CHROME
- MB  MATTE BLACK
- BG  BRUSHED GOLD
- BN  BRUSHED NICKEL



**CAHS-RD**  
Round DUAL Function Handshower

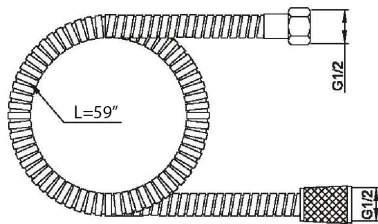


**AVAILABLE FINISHES**


- PC  CHROME
- MB  MATTE BLACK
- BG  BRUSHED GOLD
- BN  BRUSHED NICKEL



1.5m neoprene hose



**AVAILABLE FINISHES**

- PC  CHROME
- MB  MATTE BLACK
- BG  BRUSHED GOLD
- BN  BRUSHED NICKEL

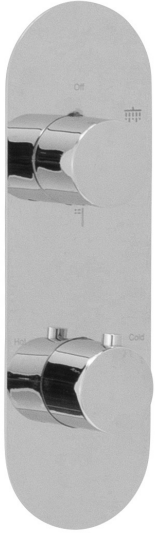


**FEATURES**

- Round wall outlet
- Material: SUS 304
- Wall adapter: 1/2 NPT, female thread
- Hose adapter: G1/2 male thread

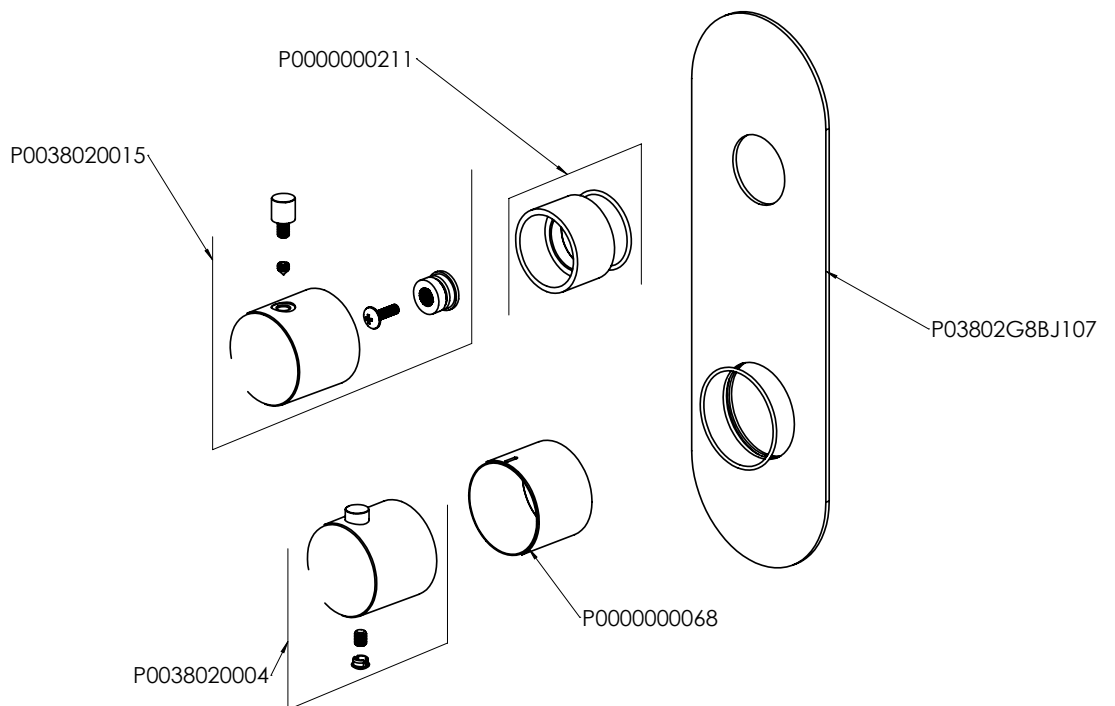
**AVAILABLE FINISHES**

- |    |   |                |
|----|---|----------------|
| PC |  | CHROME         |
| MB |  | MATTE BLACK    |
| BG |  | BRUSHED GOLD   |
| BN |  | BRUSHED NICKEL |



**FEATURES**

- 1/2" Thermostatic trim
- 2 way diverter and dual function
- Requires Rough-in Valve CALVRV-1

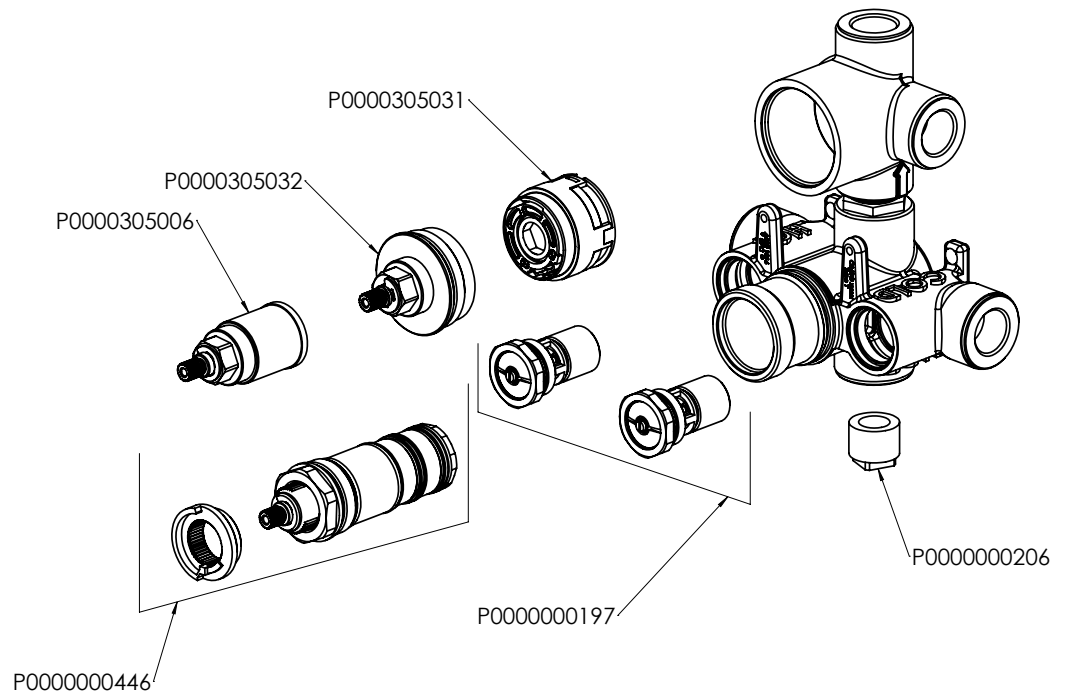
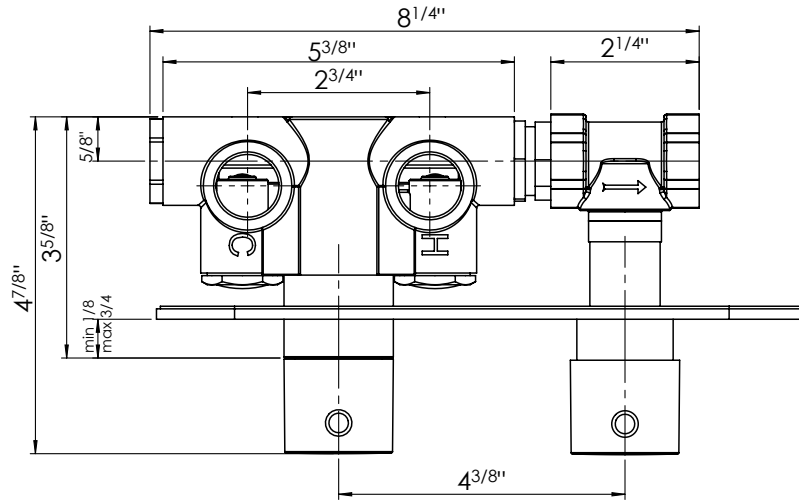
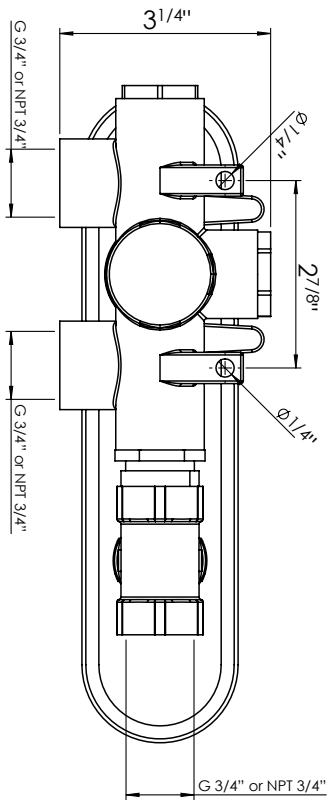


**AVAILABLE FINISHES**

PC  CHROME

MB  MATTE BLACK





- Thermostatic Cartridge: P0000000446
- Diverter Cartridge: P0000305006