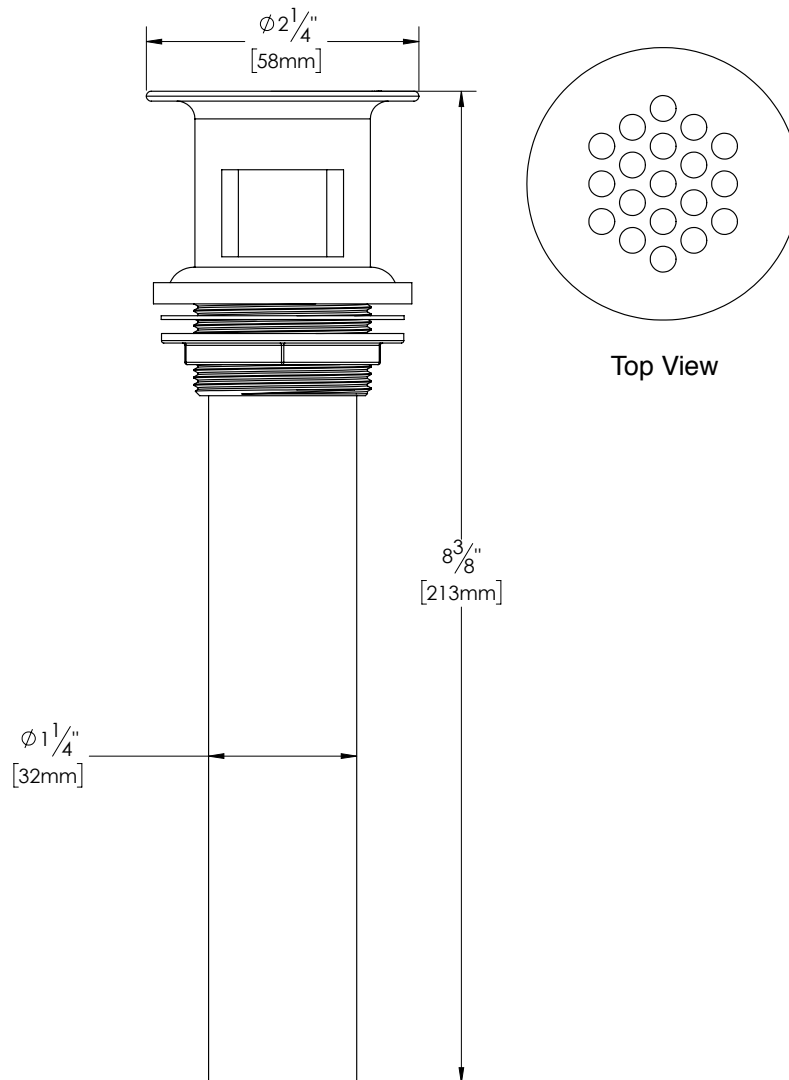


### Description:

LAVATORY DRAIN P.O. SHALL BE SUPPLIED WITH 19 HOLE GRID PATTERN, CHROME FINISH, CAST BRASS, 17 GAUGE 1-1/4" X 6" BRASS TAIL-PIECE, LOCKNUT, HEAVY RUBBER GASKET, CERTIFIED BY CSA

Certification



**Oakville Stamping and Bending Ltd.**

2200 Speers Road. Oakville, ON. Canada. L6L 2X8.

T. 905.827.0320 or toll free 1.877.314.6040 F. 905.827.6375 or toll free 1.877.827.6040.

All rights reserved. OS&B™ reserves the right to change product specifications and material or discontinue models without notice.

**[www.osb.ca](http://www.osb.ca) (Canada) [www.osbplumbing.com](http://www.osbplumbing.com) (USA)**