



# SD35-



Finish  
Suffix

## ABS SHOWER DRAIN - FOR USE WITH MOLDED BASE

Project Name: \_\_\_\_\_

Project Number: \_\_\_\_\_

Fixture #

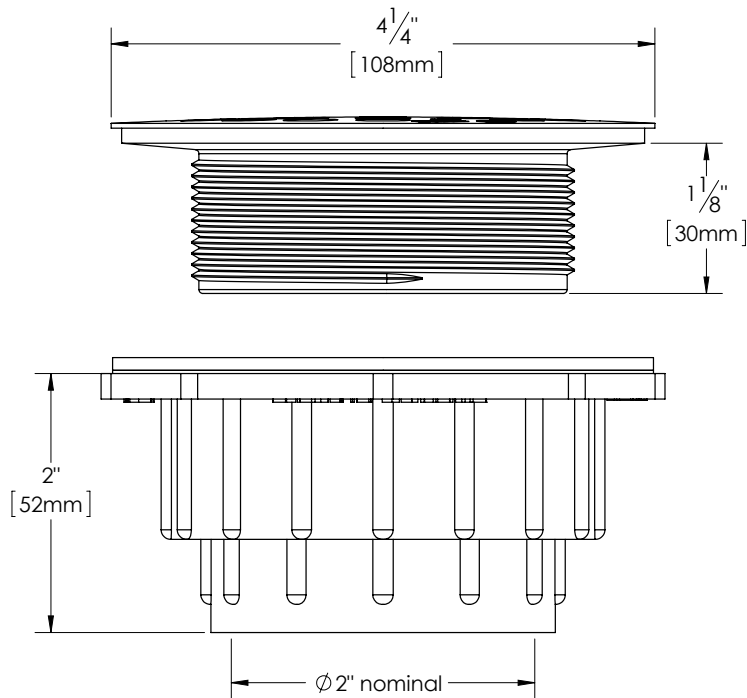
### Description:

**SHOWER DRAIN SHALL BE 2" ABS FOR MOLDED SHOWER BASES, ROUND STAINLESS STEEL GRATE, CERTIFIED BY CSA**

#### Certification



\*The "cSAus Meets UPC" mark means the product conforms to the requirements of the NPC, UPC, IPC and IRC.



**SELECT FINISH SUFFIX BELOW AND TRANSPOSE ABOVE (CHECK AVAILABILITY BELOW):**

<b>SS</b> (Stainless Steel - NO SUFFIX REQUIRED)	<b>AB</b> (Brushed Nickel)	<b>CP</b> (Chrome Plated)	<b>MBL</b> (Matte Black)	<b>PB</b> (Polished Brass)	<b>VB</b> (Venetian Bronze)	<b>W</b> (White)
<input type="checkbox"/>	<input type="checkbox"/>	<input type="checkbox"/>	<input type="checkbox"/>	<input type="checkbox"/>	<input type="checkbox"/>	<input type="checkbox"/>

#### Oakville Stamping and Bending Ltd.

2200 Speers Road, Unit C. Oakville, ON. Canada. L6L 2X8.

T. 905.827.0320 or toll free 1.877.314.6040 F. 905.827.6375 or toll free 1.877.827.6040.

All rights reserved. OS&B™ reserves the right to change product specifications and material or discontinue models without notice.

**www.osb.ca (Canada) www.osbplumbing.com (USA)**