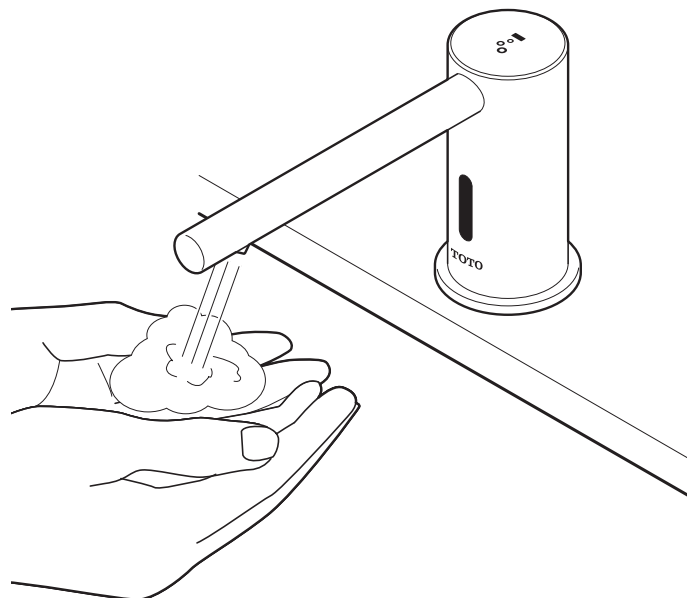


**Touchless Soap Dispenser**  
**Dispensador de jabón sin contacto**  
**Distributeur de savon sans contact**  
**Dispensador de sabão sem contato**



**Warranty Registration and Inquiry**

For product warranty registration, TOTO U.S.A. Inc. recommends online warranty registration. Please visit our web site <http://www.totousa.com>. If you have questions regarding warranty policy or coverage, please contact TOTO U.S.A. Inc., Customer Service Department, 1155 Southern Road, Morrow, GA 30260 (888) 295-8134 or (678) 466-1300 when calling from outside of U.S.A.

## TABLE OF CONTENTS

THANK YOU FOR CHOOSING TOTO! .....	2
WARNINGS.....	2
BEFORE INSTALLATION .....	2
INCLUDED PARTS .....	3
INSTALLATION PROCEDURE .....	7
TESTING .....	18
HOW TO USE .....	19
REFILLING THE TANK.....	20
MODE ADJUSTMENT.....	21
CARE AND CLEANING .....	22
PERIODIC MAINTENANCE .....	23
LONG-TERM NON-USE .....	31
TROUBLESHOOTING .....	31
SPECIFICATIONS.....	32
THREE YEAR LIMITED WARRANTY .....	34
ROUGH - IN DIMENSIONS.....	134

## THANK YOU FOR CHOOSING TOTO!

The mission of TOTO is to provide the world with healthy, hygienic and more comfortable lifestyles. We design every product with the balance of form and function as a guiding principle. Congratulations on your choice.

## WARNINGS

Please read and adhere to the following notes. Failure to do so could result in personal injury and/or property damage.

- No person other than a service engineer should disassemble, repair or modify this dispenser, unless it is specifically described in this manual. Failure to do so may result in electric shock or product malfunction.
- Do not use this dispenser in a humid location where condensation may collect on the surface, especially in a sauna or steam room.
- Do not strike or kick the dispenser or controller box, as this may damage the unit or cause a leak.
- Do not use this dispenser if the room temperature drops below freezing.
- Make sure the power cord does not come in contact with the hot water supply line.
- Avoid placing any objects within the detection range of the infrared sensor.
- Use only TOTO approved liquid soap to avoid invalidation of warranty.
- Make sure the electrical outlet is in a position where it will not get wet during use.

## BEFORE INSTALLATION

- Read these instructions carefully to ensure proper installation.
- TOTO reserves the right to update product design without notice.
- Check to make sure you have the parts indicated on the following page.

# INCLUDED PARTS

## COMPONENT BREAKDOWN

KIT OPTION			COMPONENTS					
	Kit Model #	Spout Installation	Spout		Controller & Tank		Sub-Tank	
			Model #	Qty	Model #	Qty	Model #	Qty
			Standard	TES201AB#\$\$	1	→ TLK07001G#\$\$	1	TLK01101UA
TES202AB#\$\$	2	→ TLK07001G#\$\$		2	TLK01102UA	1 (For 2 Spouts)		
TES203AB#\$\$	3	→ TLK07001G#\$\$		3	TLK01103UA	1 (For 3 Spouts)		
TES204AB#\$\$	2	→ TLK07001G#\$\$		2	TLK01106UA	1 (For 2 Spouts)	TLK01401U	1
TES205AB#\$\$	3	→ TLK07001G#\$\$		3	TLK01107UA	1 (For 3 Spouts)	TLK01401U	1
with Daughter Card	TES201ABi2#\$\$	1	→ TLK07001G#\$\$	1	TLK01101Ui2 ( TLK01101U1A & Daughter Card )	1 (For 1 Spout)		
	TES202ABi2#\$\$	2	→ TLK07001G#\$\$	2	TLK01102Ui2 ( TLK01102U1A & Daughter Card )	1 (For 2 Spouts)		
	TES203ABi2#\$\$	3	→ TLK07001G#\$\$	3	TLK01103Ui2 ( TLK01103U1A & Daughter Card )	1 (For 3 Spouts)		
	TES204ABi2#\$\$	2	→ TLK07001G#\$\$	2	TLK01106Ui2 ( TLK01106U1A & Daughter Card )	1 (For 2 Spouts)	TLK01401U	1
	TES205ABi2#\$\$	3	→ TLK07001G#\$\$	3	TLK01107Ui2 ( TLK01107U1A & Daughter Card )	1 (For 3 Spouts)	TLK01401U	1

KIT OPTION			COMPONENTS					
	Kit Model #	Spout Installation	Spout		Controller & Tank		Sub-Tank	
			Model #	Qty	Model #	Qty	Model #	Qty
			Standard	TES201AD#\$\$	1	→ TLK07003G#\$\$	1	TLK01101UA
TES202AD#\$\$	2	→ TLK07003G#\$\$		2	TLK01102UA	1 (For 2 Spouts)		
TES203AD#\$\$	3	→ TLK07003G#\$\$		3	TLK01103UA	1 (For 3 Spouts)		
TES204AD#\$\$	2	→ TLK07003G#\$\$		2	TLK01106UA	1 (For 2 Spouts)	TLK01401U	1
TES205AD#\$\$	3	→ TLK07003G#\$\$		3	TLK01107UA	1 (For 3 Spouts)	TLK01401U	1
with Daughter Card	TES201ADI2#\$\$	1	→ TLK07003G#\$\$	1	TLK01101Ui2 ( TLK01101U1A & Daughter Card )	1 (For 1 Spout)		
	TES202ADI2#\$\$	2	→ TLK07003G#\$\$	2	TLK01102Ui2 ( TLK01102U1A & Daughter Card )	1 (For 2 Spouts)		
	TES203ADI2#\$\$	3	→ TLK07003G#\$\$	3	TLK01103Ui2 ( TLK01103U1A & Daughter Card )	1 (For 3 Spouts)		
	TES204ADI2#\$\$	2	→ TLK07003G#\$\$	2	TLK01106Ui2 ( TLK01106U1A & Daughter Card )	1 (For 2 Spouts)	TLK01401U	1
	TES205ADI2#\$\$	3	→ TLK07003G#\$\$	3	TLK01107Ui2 ( TLK01107U1A & Daughter Card )	1 (For 3 Spouts)	TLK01401U	1

KIT OPTION			COMPONENTS					
	Kit Model #	Spout Installation	Spout		Controller & Tank		Sub-Tank	
			Model #	Qty	Model #	Qty	Model #	Qty
			Standard	TES201AA#\$\$	1	→ TLK03001G#\$\$	1	TLK01101U
TES202AA#\$\$	2	→ TLK03001G#\$\$		2	TLK01102U	1 (For 2 Spouts)		
TES203AA#\$\$	3	→ TLK03001G#\$\$		3	TLK01103U	1 (For 3 Spouts)		
TES204AA#\$\$	2	→ TLK03001G#\$\$		2	TLK01106U	1 (For 2 Spouts)	TLK01401U	1
TES205AA#\$\$	3	→ TLK03001G#\$\$		3	TLK01107U	1 (For 3 Spouts)	TLK01401U	1
with Daughter Card	TES201AAi2#\$\$	1	→ TLK03001G#\$\$	1	TLK01101Ui2 ( TLK01101U1 & Daughter Card )	1 (For 1 Spout)		
	TES202AAi2#\$\$	2	→ TLK03001G#\$\$	2	TLK01102Ui2 ( TLK01102U1 & Daughter Card )	1 (For 2 Spouts)		
	TES203AAi2#\$\$	3	→ TLK03001G#\$\$	3	TLK01103Ui2 ( TLK01103U1 & Daughter Card )	1 (For 3 Spouts)		
	TES204AAi2#\$\$	2	→ TLK03001G#\$\$	2	TLK01106Ui2 ( TLK01106U1 & Daughter Card )	1 (For 2 Spouts)	TLK01401U	1
	TES205AAi2#\$\$	3	→ TLK03001G#\$\$	3	TLK01107Ui2 ( TLK01107U1 & Daughter Card )	1 (For 3 Spouts)	TLK01401U	1

ENGLISH

## INCLUDED PARTS (Continued)

### COMPONENT BREAKDOWN

ENGLISH

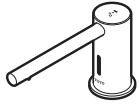
KIT OPTION			COMPONENTS					
	Kit Model #	Spout Installation	Spout		Controller & Tank		Sub-Tank	
			Model #	Qty	Model #	Qty	Model #	Qty
			Standard	TES201AE#\$\$	1	→ TLK08001G#\$\$	1	TLK01101UA
TES202AE#\$\$	2	→ TLK08001G#\$\$		2	TLK01102UA	1 (For 2 Spouts)		
TES203AE#\$\$	3	→ TLK08001G#\$\$		3	TLK01103UA	1 (For 3 Spouts)		
TES204AE#\$\$	2	→ TLK08001G#\$\$		2	TLK01106UA	1 (For 2 Spouts)	TLK01401U	1
TES205AE#\$\$	3	→ TLK08001G#\$\$		3	TLK01107UA	1 (For 3 Spouts)	TLK01401U	1
with Daughter Card	TES201AEi2#\$\$	1	→ TLK08001G#\$\$	1	TLK01101Ui2 ( TLK01101U1A & Daughter Card )	1 (For 1 Spout)		
	TES202AEi2#\$\$	2	→ TLK08001G#\$\$	2	TLK01102Ui2 ( TLK01102U1A & Daughter Card )	1 (For 2 Spouts)		
	TES203AEi2#\$\$	3	→ TLK08001G#\$\$	3	TLK01103Ui2 ( TLK01103U1A & Daughter Card )	1 (For 3 Spouts)		
	TES204AEi2#\$\$	2	→ TLK08001G#\$\$	2	TLK01106Ui2 ( TLK01106U1A & Daughter Card )	1 (For 2 Spouts)	TLK01401U	1
	TES205AEi2#\$\$	3	→ TLK08001G#\$\$	3	TLK01107Ui2 ( TLK01107U1A & Daughter Card )	1 (For 3 Spouts)	TLK01401U	1

KIT OPTION			COMPONENTS					
	Kit Model #	Spout Installation	Spout		Controller & Tank		Sub-Tank	
			Model #	Qty	Model #	Qty	Model #	Qty
			Standard	TES201AF#\$\$	1	→ TLK08002G#\$\$	1	TLK01101UA
TES202AF#\$\$	2	→ TLK08002G#\$\$		2	TLK01102UA	1 (For 2 Spouts)		
TES203AF#\$\$	3	→ TLK08002G#\$\$		3	TLK01103UA	1 (For 3 Spouts)		
TES204AF#\$\$	2	→ TLK08002G#\$\$		2	TLK01106UA	1 (For 2 Spouts)	TLK01401U	1
TES205AF#\$\$	3	→ TLK08002G#\$\$		3	TLK01107UA	1 (For 3 Spouts)	TLK01401U	1
with Daughter Card	TES201AFi2#\$\$	1	→ TLK08002G#\$\$	1	TLK01101Ui2 ( TLK01101U1A & Daughter Card )	1 (For 1 Spout)		
	TES202AFi2#\$\$	2	→ TLK08002G#\$\$	2	TLK01102Ui2 ( TLK01102U1A & Daughter Card )	1 (For 2 Spouts)		
	TES203AFi2#\$\$	3	→ TLK08002G#\$\$	3	TLK01103Ui2 ( TLK01103U1A & Daughter Card )	1 (For 3 Spouts)		
	TES204AFi2#\$\$	2	→ TLK08002G#\$\$	2	TLK01106Ui2 ( TLK01106U1A & Daughter Card )	1 (For 2 Spouts)	TLK01401U	1
	TES205AFi2#\$\$	3	→ TLK08002G#\$\$	3	TLK01107Ui2 ( TLK01107U1A & Daughter Card )	1 (For 3 Spouts)	TLK01401U	1

KIT OPTION			COMPONENTS					
	Kit Model #	Spout Installation	Spout		Controller & Tank		Sub-Tank	
			Model #	Qty	Model #	Qty	Model #	Qty
			Standard	TES201AG#\$\$	1	→ TLK08003G#\$\$	1	TLK01101UA
TES202AG#\$\$	2	→ TLK08003G#\$\$		2	TLK01102UA	1 (For 2 Spouts)		
TES203AG#\$\$	3	→ TLK08003G#\$\$		3	TLK01103UA	1 (For 3 Spouts)		
TES204AG#\$\$	2	→ TLK08003G#\$\$		2	TLK01106UA	1 (For 2 Spouts)	TLK01401U	1
TES205AG#\$\$	3	→ TLK08003G#\$\$		3	TLK01107UA	1 (For 3 Spouts)	TLK01401U	1
with Daughter Card	TES201AGi2#\$\$	1	→ TLK08003G#\$\$	1	TLK01101Ui2 ( TLK01101U1A & Daughter Card )	1 (For 1 Spout)		
	TES202AGi2#\$\$	2	→ TLK08003G#\$\$	2	TLK01102Ui2 ( TLK01102U1A & Daughter Card )	1 (For 2 Spouts)		
	TES203AGi2#\$\$	3	→ TLK08003G#\$\$	3	TLK01103Ui2 ( TLK01103U1A & Daughter Card )	1 (For 3 Spouts)		
	TES204AGi2#\$\$	2	→ TLK08003G#\$\$	2	TLK01106Ui2 ( TLK01106U1A & Daughter Card )	1 (For 2 Spouts)	TLK01401U	1
	TES205AGi2#\$\$	3	→ TLK08003G#\$\$	3	TLK01107Ui2 ( TLK01107U1A & Daughter Card )	1 (For 3 Spouts)	TLK01401U	1

# INCLUDED PARTS (Continued)

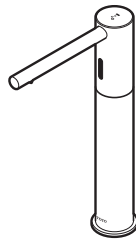
## Spout Assembly



TLK07001G



Hex key  
(Size: 1.5 mm)



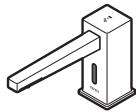
TLK07003G



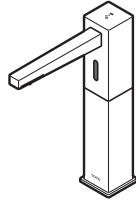
Hex key  
(Size: 1.5 mm)



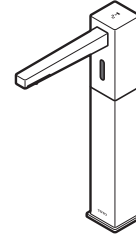
TLK03001G



TLK08001G

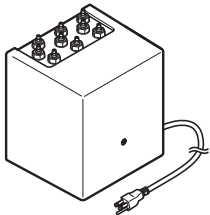


TLK08002G

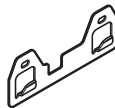


TLK08003G

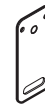
## Controller



Screw  
( $\Phi$  5.1 mm x 32 mm)



Mounting bracket

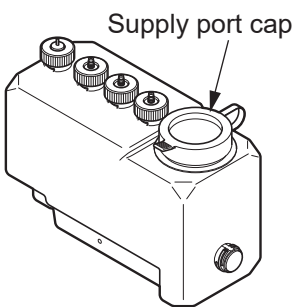


Anchoring plate



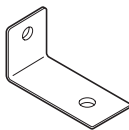
Countersunk  
tapping screw  
( $\Phi$  4 mm x 10 mm)

## 0.8 gallon (3L) Tank



Supply port cap

### Bracket set (for 3L tank only)



Bracket



Screw  
( $\Phi$  5.1 mm x 32 mm)



Decorative  
screw



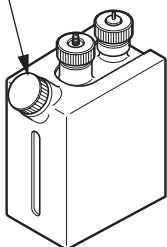
Hose 6' 6-3/4" (2 m)  
(Single type: 1, Double type: 2,  
Triple type: 3)



Hose clamp  
(Single type: 2, Double type: 4,  
Triple type: 6)

## 0.26 gallon (1L) Tank (Special order)

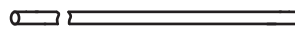
Supply port cap



Bracket



Bundling  
band



Hose 7-1/16" (180 mm)



Hose clamp: 2



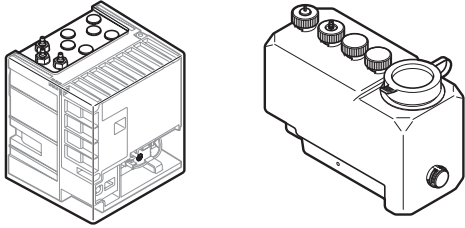
Round-head screw  
( $\Phi$  5.1 mm x 32 mm)

# INCLUDED PARTS (Continued)

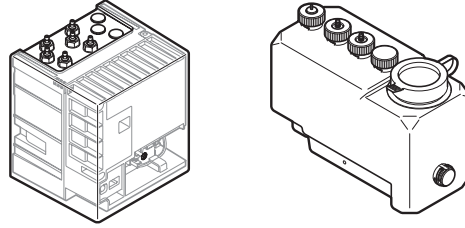
ENGLISH

## Controller & Tank

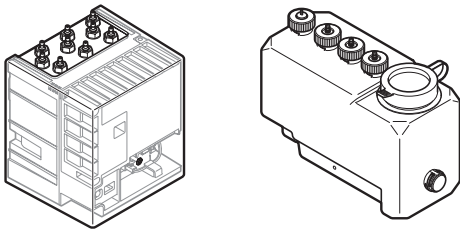
TLK01101UA, TLK01101Ui2



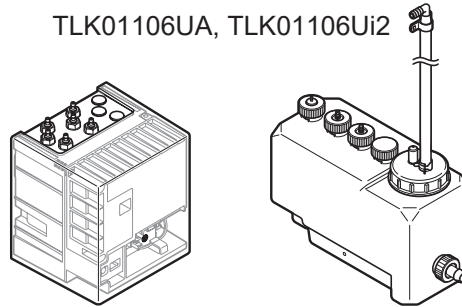
TLK01102UA, TLK01102Ui2



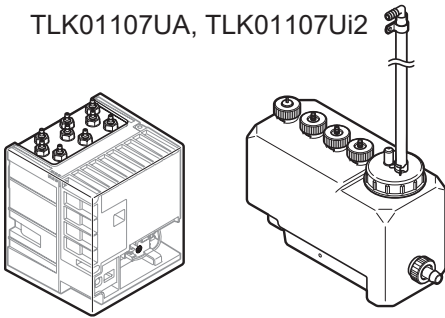
TLK01103UA, TLK01103Ui2



TLK01106UA, TLK01106Ui2



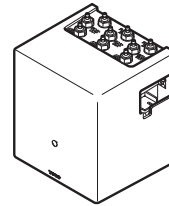
TLK01107UA, TLK01107Ui2



\*TLK0110xUi2 include a Daughter Card.  
\*Outer cover of TLK0110xUi2 has opening on its right side.



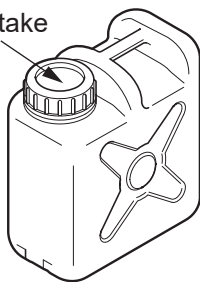
Daughter Card



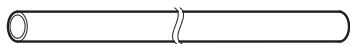
Opening

## Sub-Tank Unit (TLK01401U)

Soap Intake



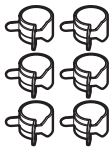
Sub-Tank



Connecting hose 16' 4-7/8" (5 m)

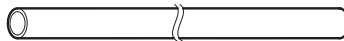


Y-shaped nipple

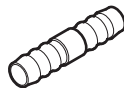


Hose clamps (6)

## Hose Unit (TLK01403U)



Connecting hose  
16' 4-7/8" (5 m)

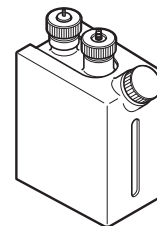
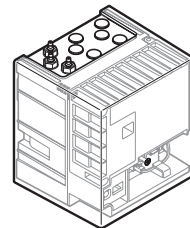


I-shaped nipple



Hose clamps (1)

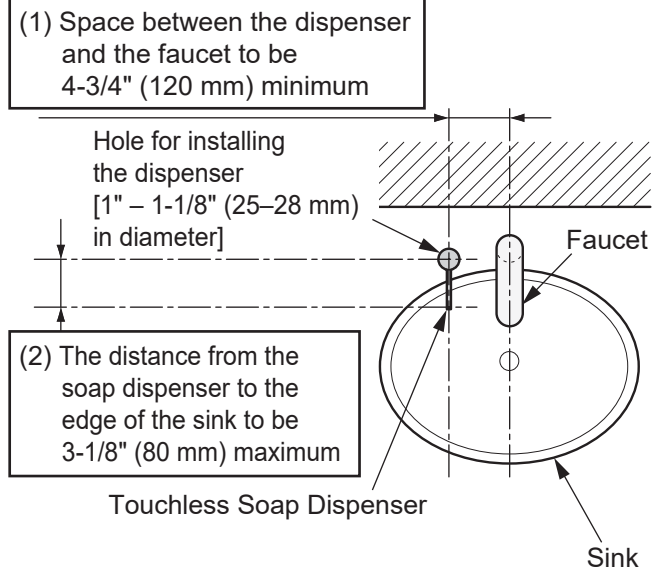
## Special Order



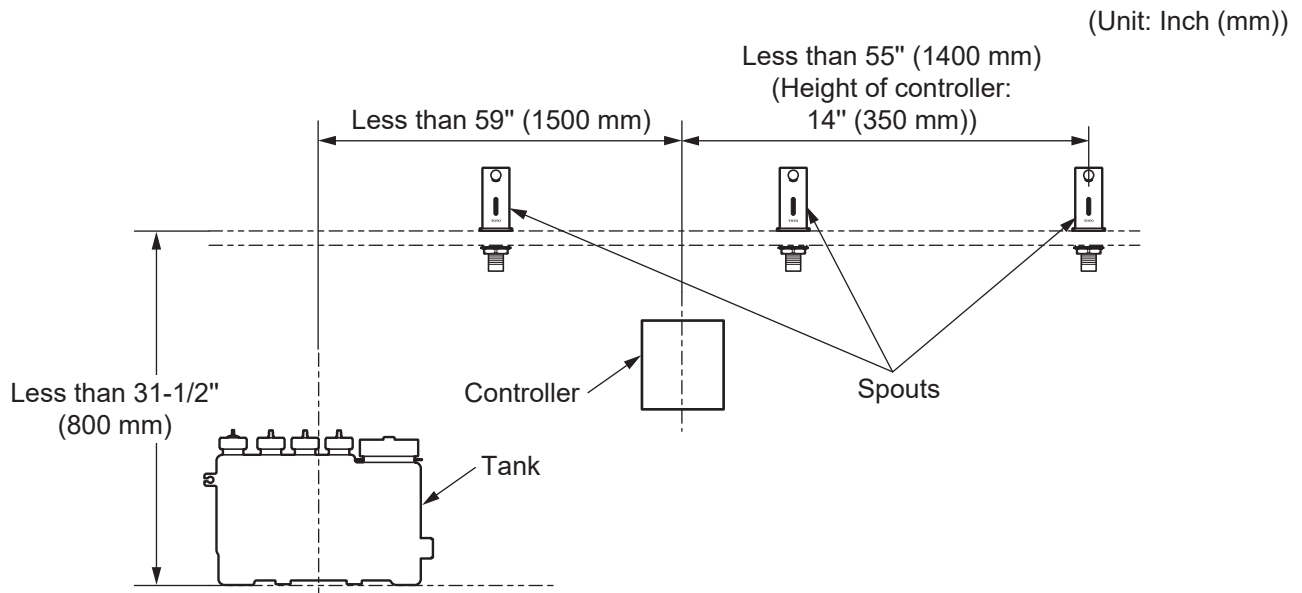
## INSTALLATION PROCEDURE - Positioning

### Positioning the Dispenser

1. Make sure to leave at least 4-3/4" (120 mm) of space between the soap dispenser and the faucet to prevent accidental activation.
2. Leave 3-1/8" (80 mm) of space maximum from the inside edge of the sink to the spout installation hole to ensure that any residual soap drips from the dispenser spout into the sink bowl.



### Positioning the Tank



- Install the tank within 31-1/2" (800 mm) the upper face of the counter. It also should not exceed the height of the upper end of the controller. It cannot be installed on the counter or on the lower level. If it is installed beyond this range, the following troubles may occur. Less water spouts and the soap does not foam.
- The length of the hose connected to the spout is 6' (1.8 m). Install the controller so that the hose can be connected to the controller.

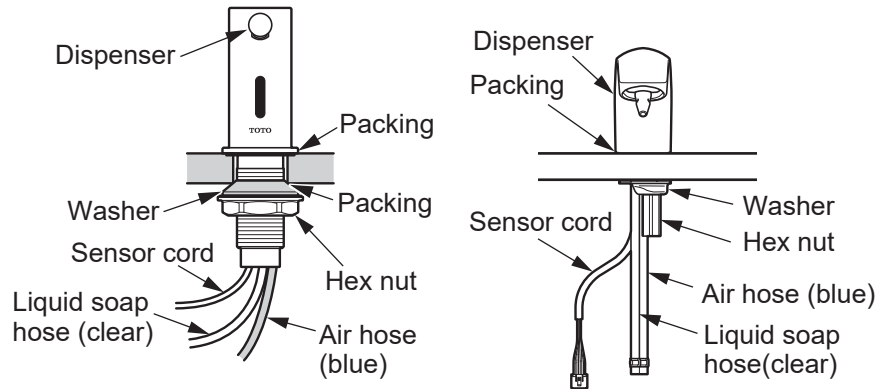


## INSTALLATION PROCEDURE - Spout

1. Insert the dispenser into the installation holes in the counter (or the sink).
2. Secure the dispenser with washer and hex nut.

### Caution

Make sure that the cords and tubes do not get crimped.

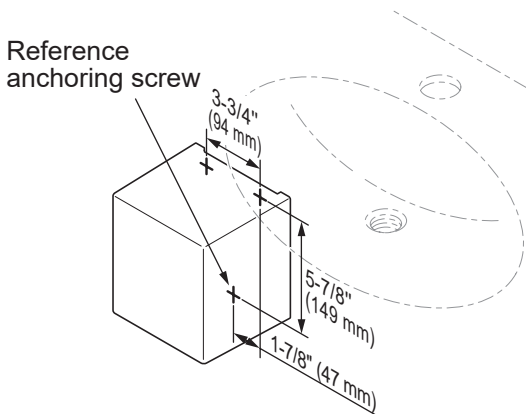


## INSTALLATION PROCEDURE - Controller

Marking of the positions of the screw holes for the anchoring plate.

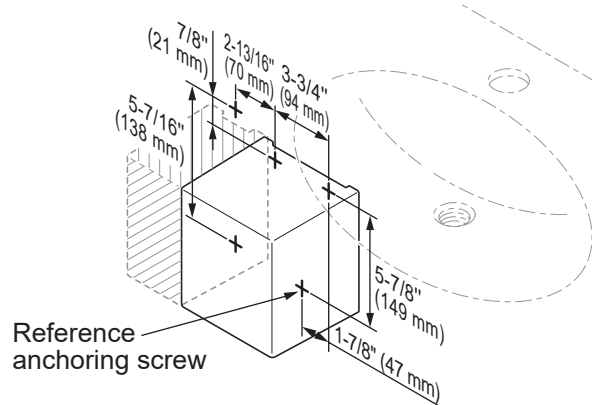
Decide the anchoring position of the controller and mark the positions of screw holes on the wall by referring to the dimensional drawing.

### [ 0.8 gallon (3L) Tank Type ]



### [ 0.26 gallon (1L) Tank Type (special order)]

(Unit: Inch (mm))



### Installing the controller on a tiled or concrete wall

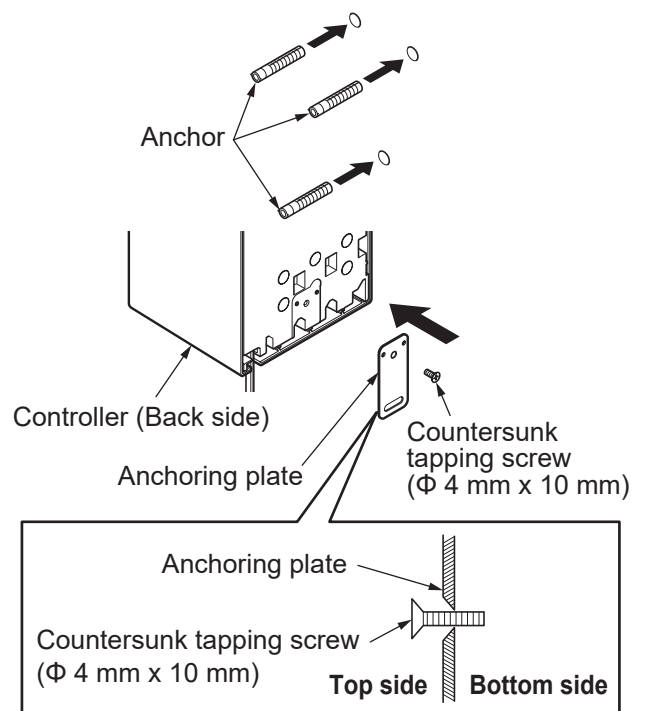
1. Drill a rough hole at the screw hole position and drive in the curl plug (procure in the field).

\* Procure a curl plug that matches the screw ( $\Phi$  5.1 mm x 32 mm).

2. Anchor the bottom anchoring plate to the controller with one countersunk tapping screw.

### Caution

- Do not tighten the screws with an electric screwdriver. These should be tightened manually.
- Pay attention not to confuse the top side and the bottom side of the anchoring plate.





## INSTALLATION PROCEDURE - Controller (Continued)

3. Position and anchor the bracket with two screws.

4. Hang the controller on the mounting bracket and anchor the bottom anchoring plate with one screw.

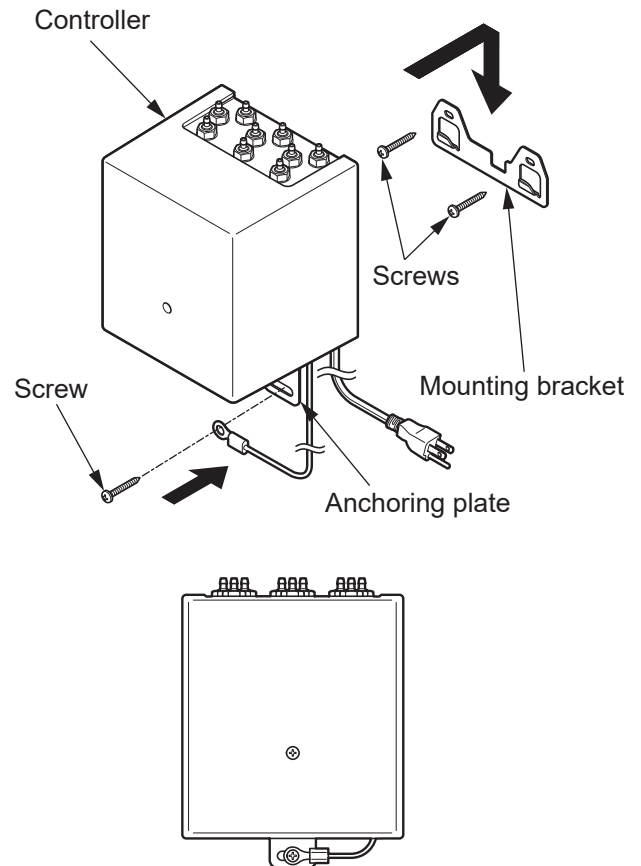
\* Sandwich the grounding wire with the mounting bracket and anchor them with screw.

### Installing the controller on a wooden wall or dry wall

Confirm that the wooden wall has a structure that can sustain the weight (4.41lb) of the controller (Triple type). (In the case of dry wall, in order to hold the controller, make sure the plywood base is more than 1/2" (13 mm) thick.) Anchor the mounting bracket with two screws and anchor the anchoring plate with one screw. Reinforce the wall structure sufficiently as needed.

#### Caution

- Install the unit body horizontally.
- Pay attention not to pinch of the electric cord or contact it with edges.



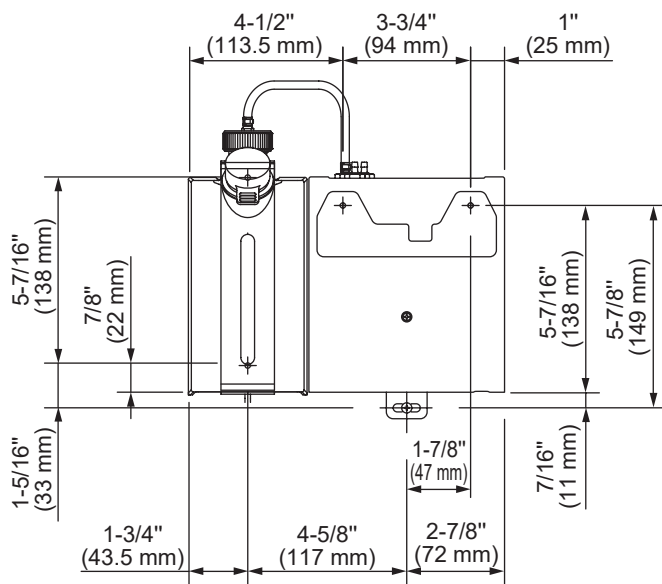
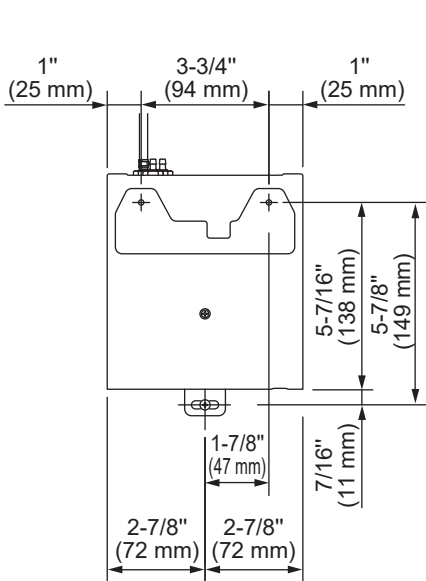
ENGLISH

### Dimensions

[ 0.8 gallon (3L) Tank Type ]

[ 0.26 gallon (1L) Tank Type (special order) ]

(Unit: Inch (mm))



## INSTALLATION PROCEDURE - Tank

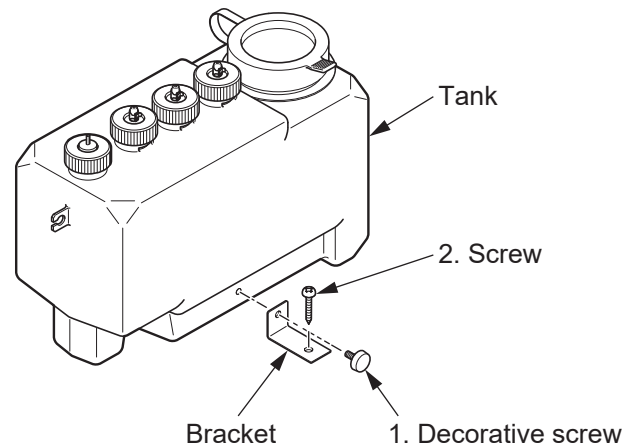
### [ 0.8 gallon (3L) Tank Type ]

Using the bracket to anchor the tank on the floor.

1. Anchor the tank and the brackets with the decorative screws that should be tightened by hand.
2. Install the tank on the floor with the screw.

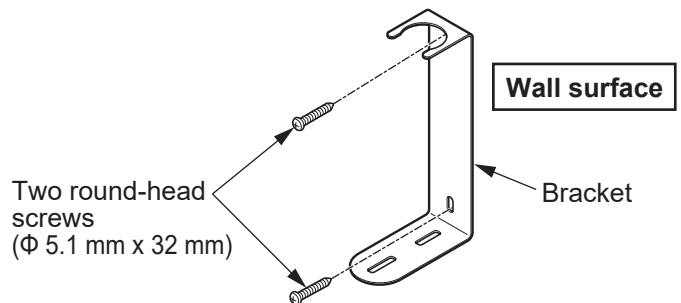
#### Note

If the floor is made of concrete, embed the curl plugs first.

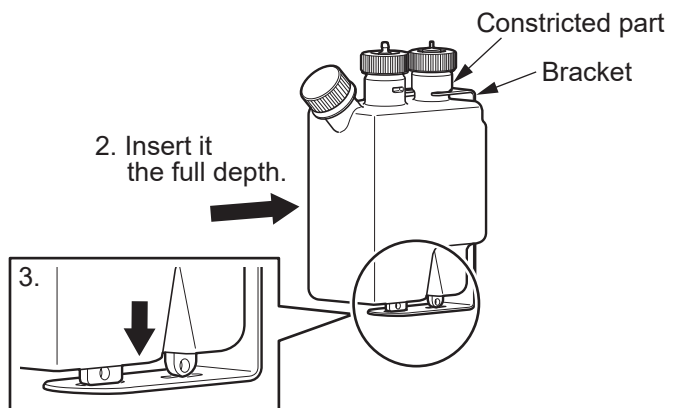


### [ 0.26 gallon (1L) Tank Type (special order)]

1. Anchor the bracket with the attached round-head screw.



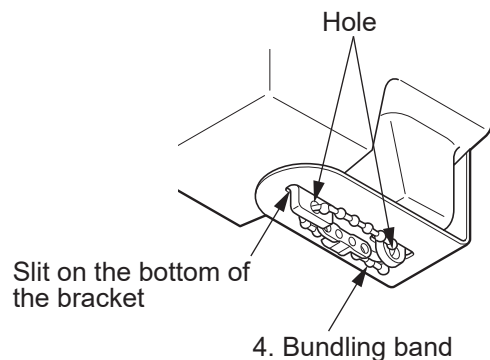
2. Pass the constricted part of the tank between the bracket and insert it the full depth.



3. Insert the tank in the slit on the bottom surface of the bracket and pass it through the two holes.

4. Attaching the bundling band.

\* The bundling band serves to prevent the tank from falling off if the tank collides with something.  
If the tank is installed behind a wall, etc., it is not necessary to attach the bundling band.



# INSTALLATION PROCEDURE - Connecting Hoses and Cords

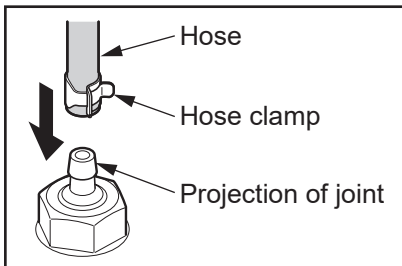
## Hose Connections

1. Cut the hoses to an appropriate length that reaches to the connected part.  
(Between the spouts and the controller)  
(Between the controller and the tank)

### Caution

Using a cutter, etc., cut the hoses so that the cut surface becomes vertical.

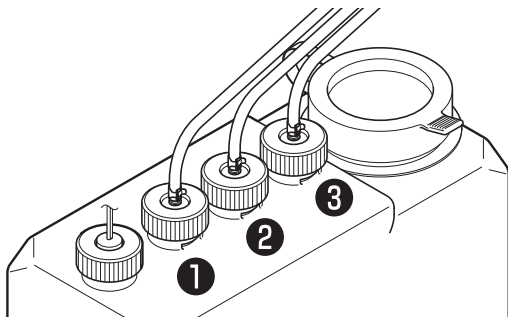
2. Insert the hose fully into the controller and put the hose clamp on the projection of the joint to anchor the hose securely.



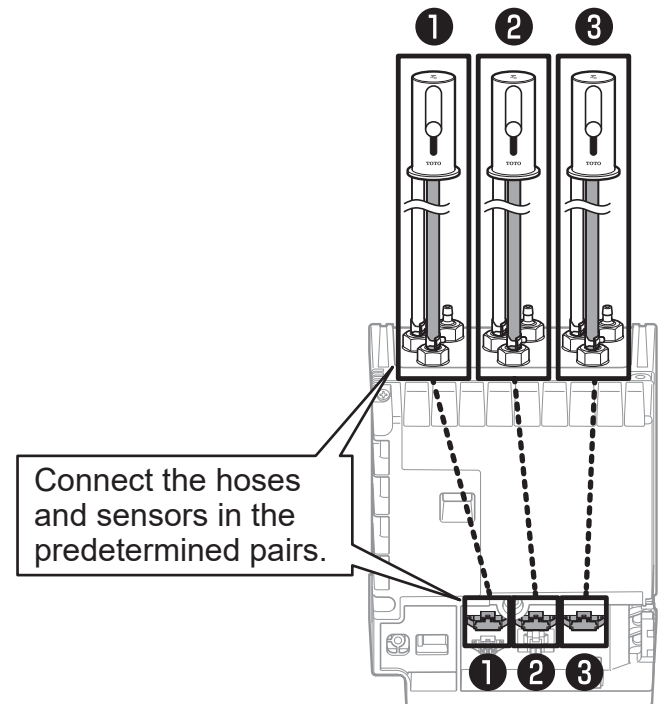
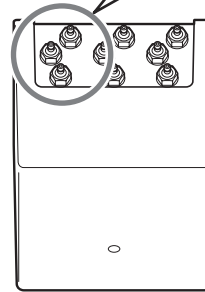
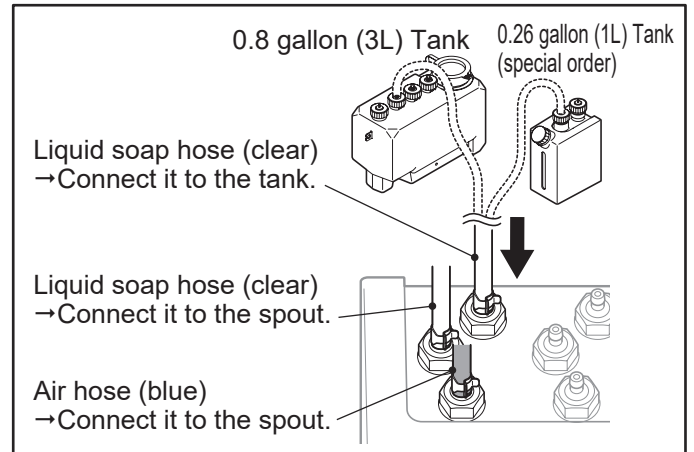
### Caution

- Connect the hoses and sensors in the predetermined pairs.
- When inserting the hoses, pay attention not to apply strong force to the joint of the tank.
- Pay attention not to bend the hoses.

## [ Tank side ]



## [ Controller side ]



- \* Connect the single type to ① only.  
(The sensor does not work in any other position.)
- \* Connect the double type to ① and ②.  
(③ does not work.)

# INSTALLATION PROCEDURE - Connecting Hoses and Cords (Continued)

ENGLISH

## Connector Connections

Remove the cover of the controller and connect the sensor connector to the float switch connector.

Connect the sensor connector and the hose in the prescribed positions.

### For single installation

Connect in one place.

Connector ① (white) for sensor only

### For double installation

Connect in two places.

Connectors ① (white) and ② (yellow) for sensor

### For triple installation

Connect in three places.

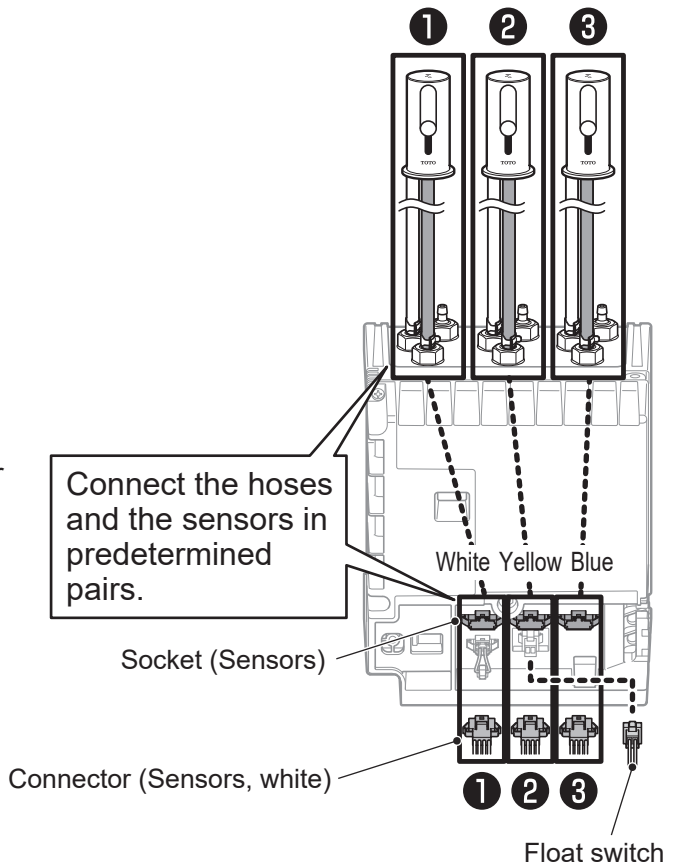
Connectors ① (white), ② (yellow) and ③ (blue) for sensor

### Caution

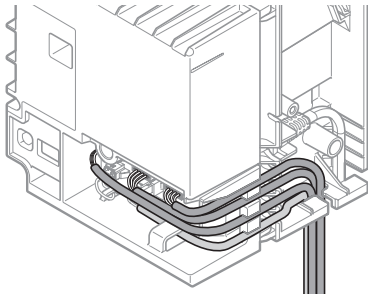
All connectors of the sensors connected to the spout are white.

The colors of the connectors arranged in the controller are white, yellow and blue.

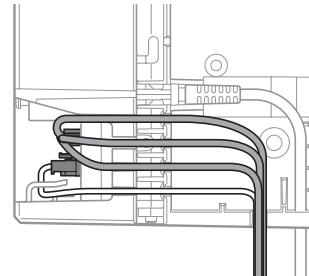
Different colors may be connected.



## Wiring Image

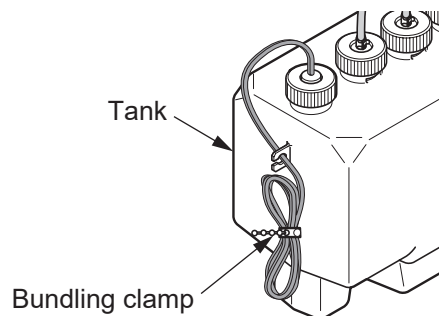


## Side face (View of wiring)



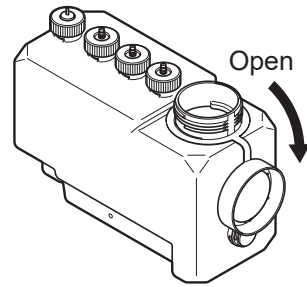
## Bundling of Float Switch Cord

Using bundling clamps, stow and bundle the cords.

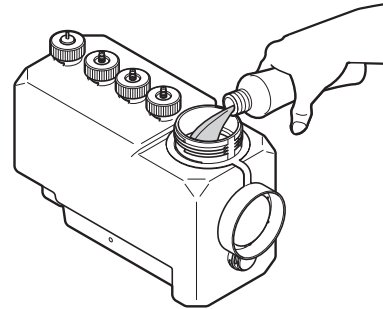


## INSTALLATION PROCEDURE - FILLING liquid soap

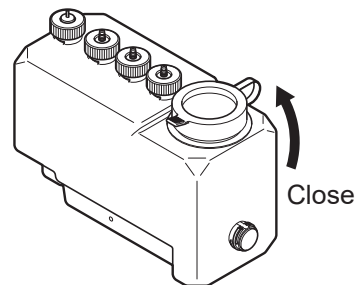
1. Remove cap on the tank.



2. Slowly pour liquid soap into the holding tank.  
Please keep an eye on the level as you pour the liquid soap in slowly so that it doesn't become foamy. Please pour the liquid soap through the build-in filter.

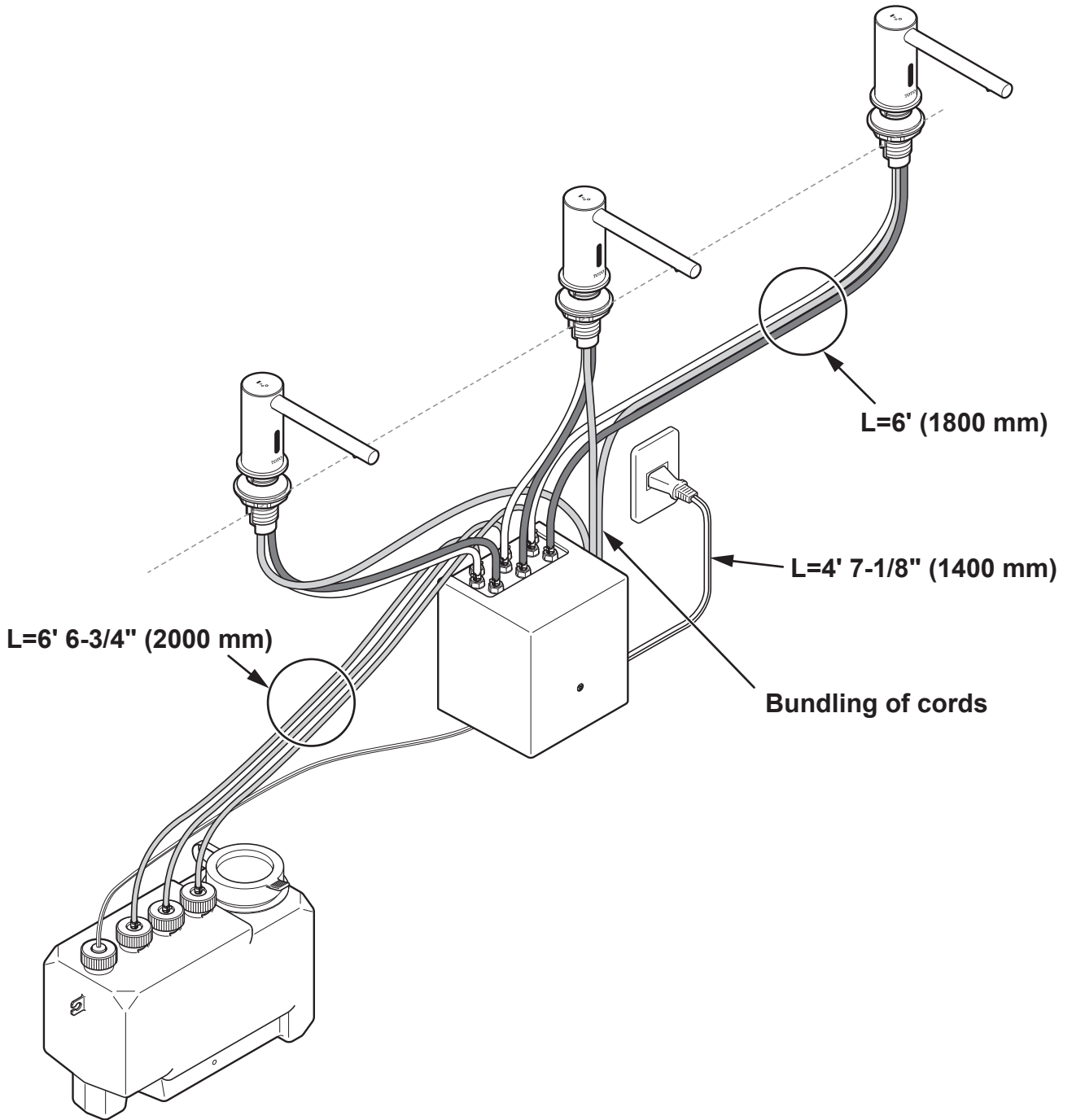


3. Firmly close the cap on the tank.  
Please make sure that the cap is securely in place after filling the tank.



# Installation Completion Drawing

ENGLISH



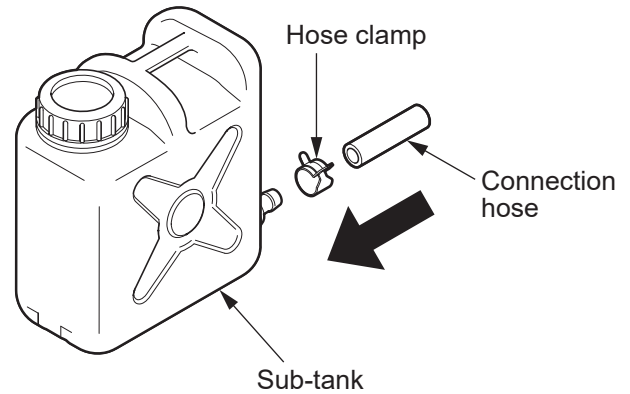
## INSTALLATION PROCEDURE - Sub Tank Unit

1. Connect the hose to the sub-tank.

\* Use the connection hose for connecting the tank and cut to the desired length to fit between the sub-tank and the tank.

### Caution

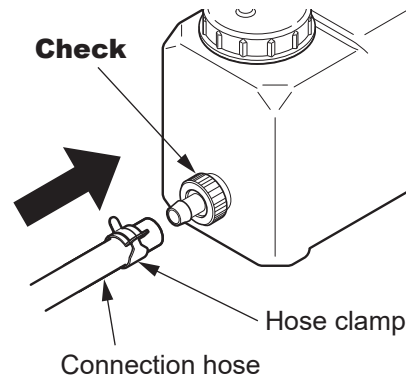
- Do not have kinks or excessive bends in the hose.
- Check that all cap nuts are tight. If loose, liquid leaks. Check them periodically.



2. Connect one end of the connection hose to the coupling cap on the side of the tank.

### Caution

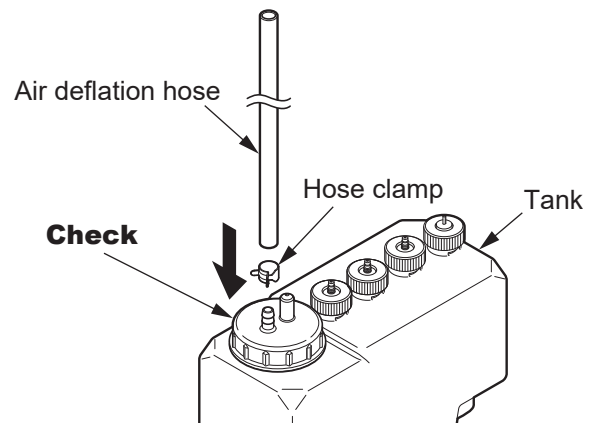
Be sure to tighten the hose connection with the hose clamp to secure it into place.



3. Connect the air deflation hose.

### Caution

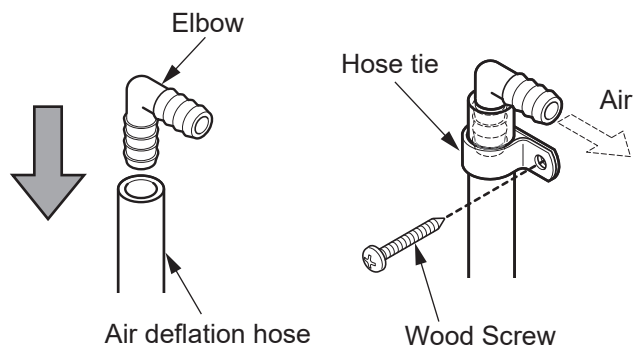
Be sure to tighten the air deflation hose securely with the hose clamp.



4. Attach the elbow to the front end of the air deflation hose and attach it to the wall with the hose tie and wood screw.

\* Do not block the elbow. It is the air bleed point for the system. The soap will not flow properly if the elbow is blocked.

- Be sure to install the elbow **between the top of the sub-tank and the counter**. When the elbow is installed lower than the sub tank the soap overflows.
- Be sure that the hose tie is in position with the air deflation hose and the elbow.

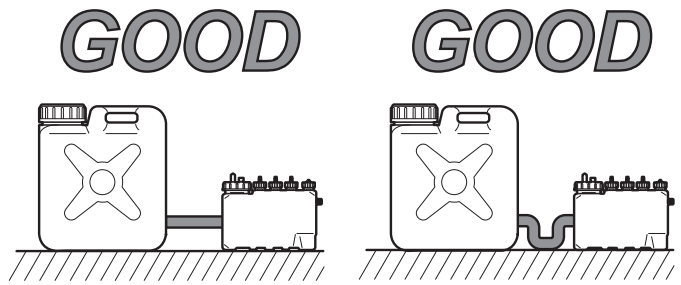




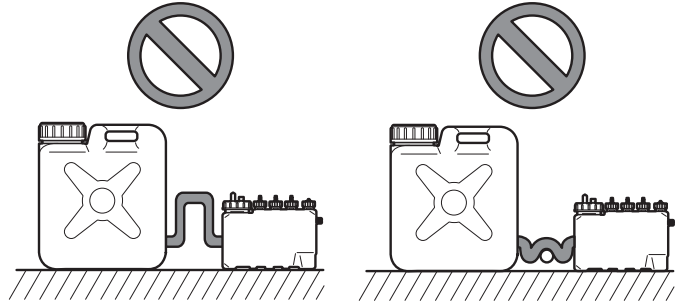
## INSTALLATION PROCEDURE - Sub Tank Unit (Continued)

ENGLISH

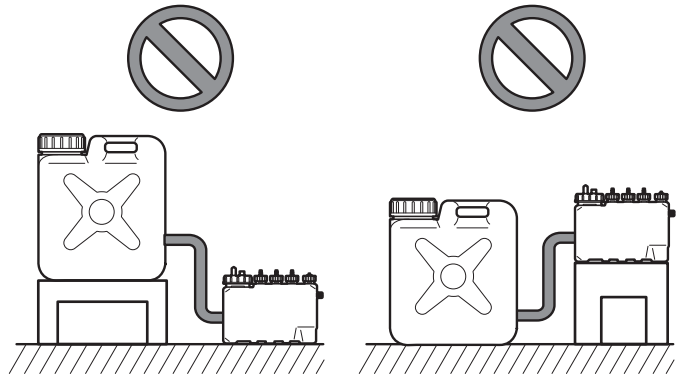
- The total length of the connection hose is 16' 4-7/8" (5 m).  
To ensure sufficient supply performance, do not use a hose that is longer than 16' 4-7/8" (5 m).  
Please install the hose horizontally.  
(It is OK to place on the floor.)



- Install the hose in a straight line.  
A bent hose will prevent the smooth flow of liquid soap.



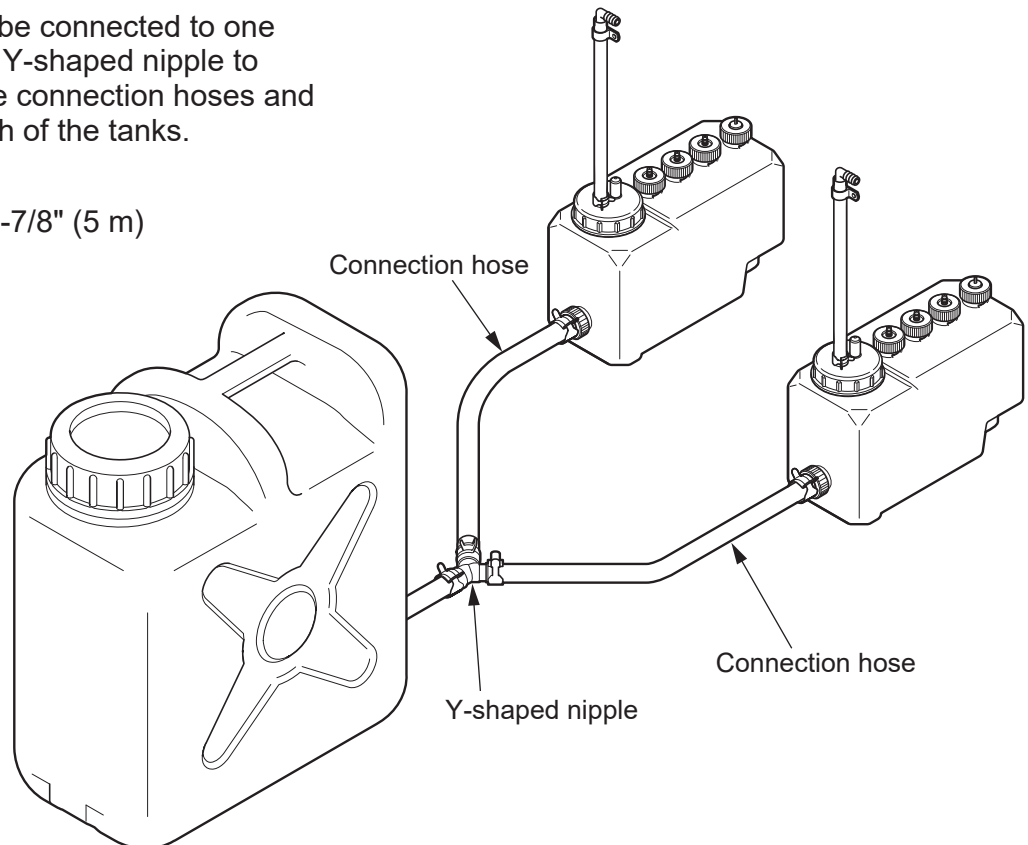
- Position the tanks on a level surface at even height. Installing the tanks at different levels may result in the following malfunctions:
  - Soap leakage from the tank that is at a lower level.
  - Improper detection of the liquid soap level in the tank at the higher level.



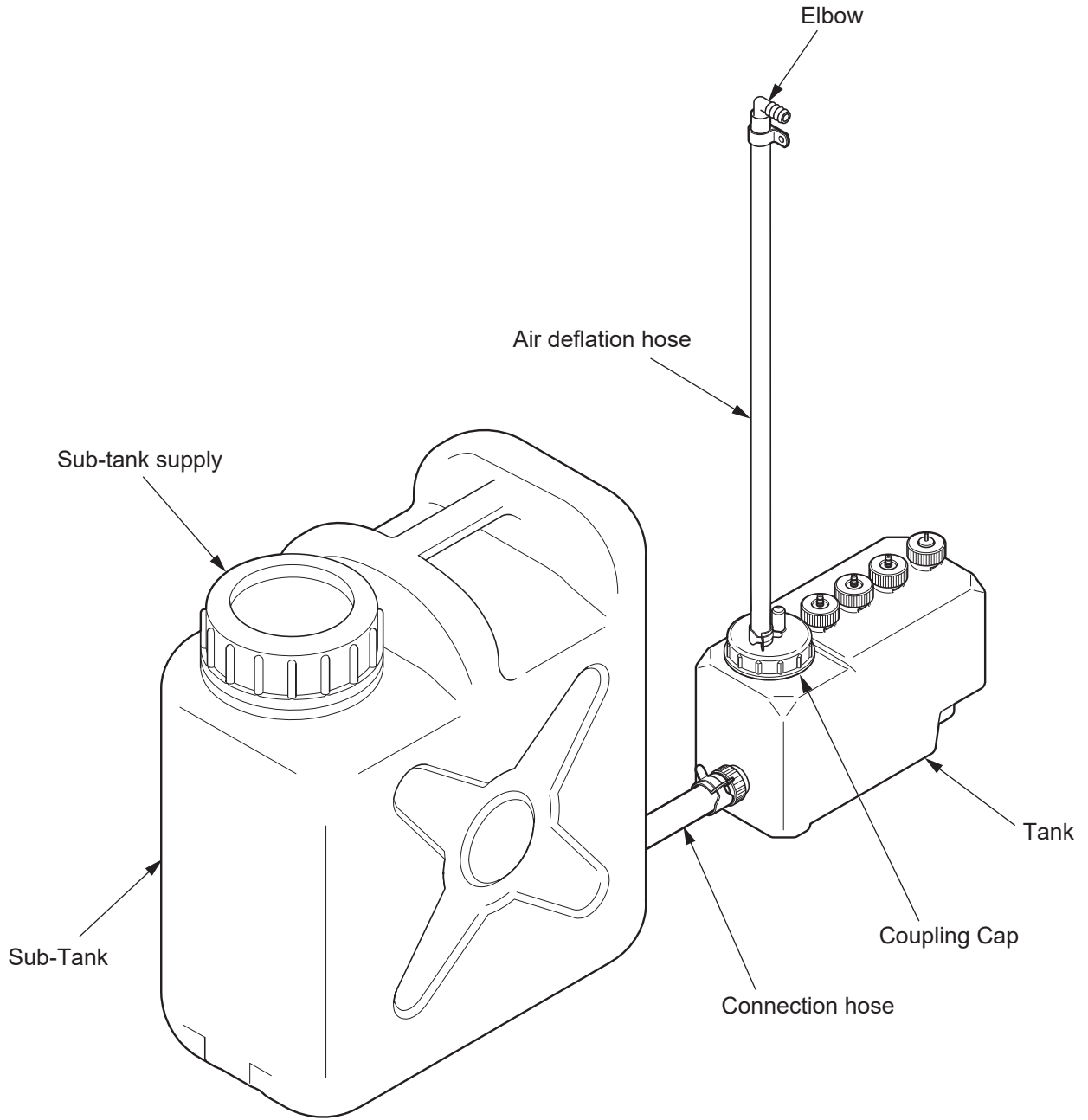
- Up to two tanks can be connected to one sub-tank. Attach the Y-shaped nipple to sub-tank to divert the connection hoses and connect them to each of the tanks.

### Note

Hose length max 16' 4-7/8" (5 m)



# Installation Completion Drawing



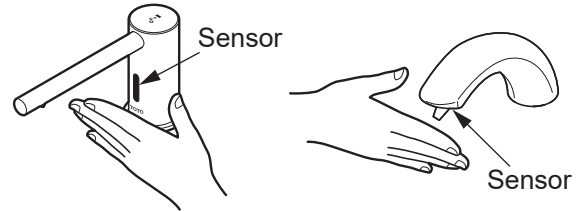
## TESTING

After installation is complete, confirm that the dispenser is working properly using the following method.

### Checking after the completion of installation.

After the installation has been completed, test the product using the following procedure.

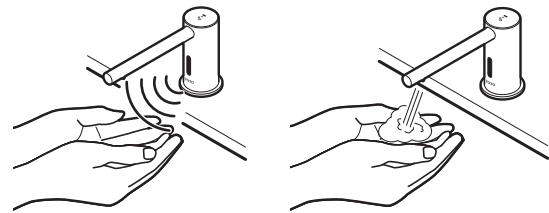
1. Shift the mode to the installation checking mode.  
When your hand is held under the sensor for about 8 sec during the first 10 minutes after the power is turned on, the mode shifts to the "Installation Mode". During sensing, the liquid soap pump is driven and the liquid soap continues to come out. (30 sec at maximum)  
The liquid soap stops when your hand leaves the sensor.  
Use this function for filling an empty flow path with liquid soap.



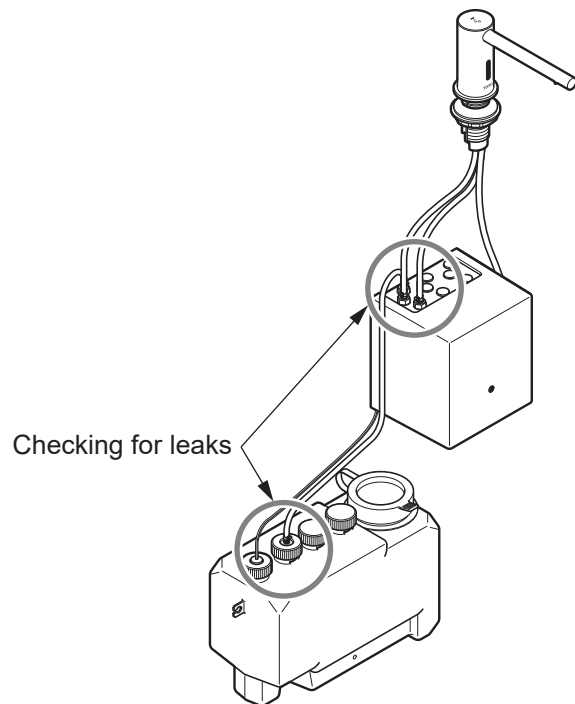
### Caution

- If more than 10 minutes pass since the power was turned on, pull out the power plug and insert it again.
- When disconnecting and reconnecting the power plug, pull out the power plug and leave it unplugged for longer than 10 sec.

2. Dispense and stop the liquid soap.
  - The liquid soap comes out when you bring your hand under the sensor.
  - The liquid soap stops when your hand leaves the sensor.



3. Check the tank and the connection of the liquid soap hose for any liquid soap leaks.



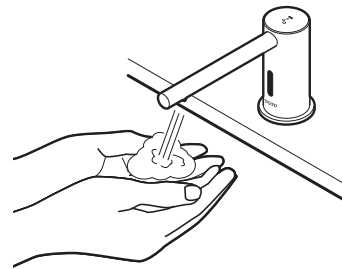
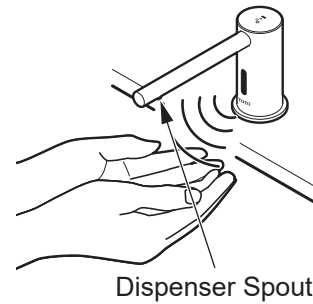
### Caution

If the product is not used for a long period of time after installation, liquid soap remaining in the hose dries and dispenses poorly. Therefore, conduct the **trial run with water**. After the trial run, leave water accumulated in the tank as is and replace it with liquid soap at the beginning of actual use.

## HOW TO USE

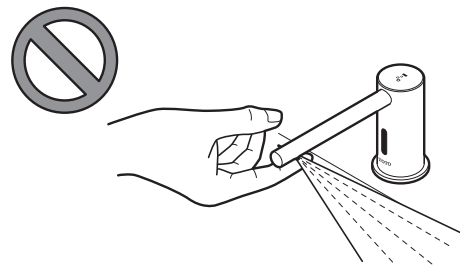
### Place Hands Under Dispenser Spout.

- When the sensor senses someone's hands, it dispenses a mousse-like liquid soap.
  - The dispensing time is approximately 0.5 second.
  - Dispensing stops when the hand is taken away from the dispenser.
  - If one's hands remain in front of the dispenser, the mousse-like liquid soap will again be dispensed after approximately a 3 seconds delay. This process can be repeated up to three times.
  - In order to prevent misuse, the liquid soap dispenser will stop dispensing after 3 times, but repeated soap dispensing is possible by moving the hands away and placing them in front of the dispenser again.
- \* **This function does not work for the first 10 min. after the power is turned on.**  
(See page 16 "Installation Mode")



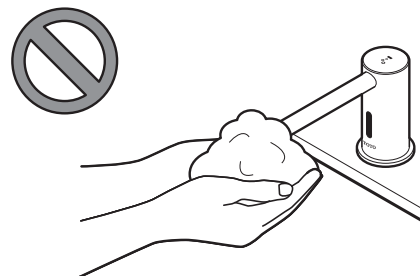
### Please do not obstruct the dispenser spout opening.

The soap might fly off in an unexpected direction.



### Please do not put foam on the tip of the dispenser. If the sensor is blocked, it could malfunction.

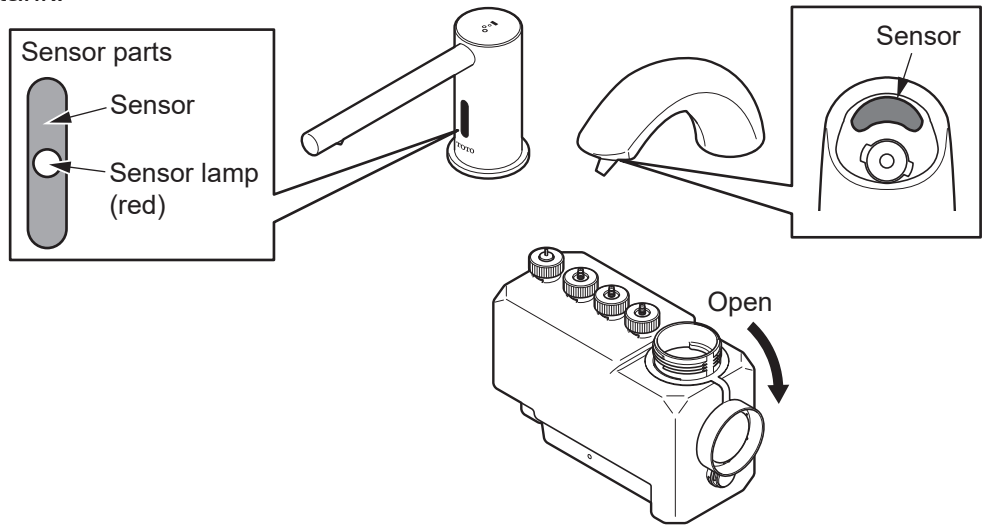
When the tip is blocked, please wipe away the debris using a damp cloth.



## REFILLING THE TANK

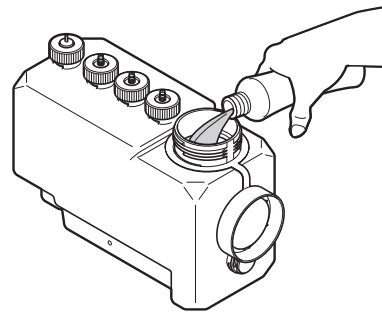
Please refill the tank with liquid soap when the internal sensor lamp (red) starts blinking.

1. Remove the cap on the tank.



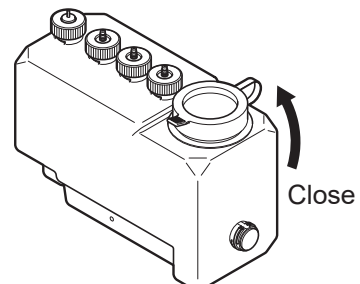
2. Slowly pour the liquid soap into the holding tank.

Please keep an eye on the level as you pour the liquid soap in slowly so that it doesn't become foamy. Please pour the liquid soap through the built-in filter.



3. Firmly close the cap on the tank.

Please make sure that the cap is securely in place after filling the tank.



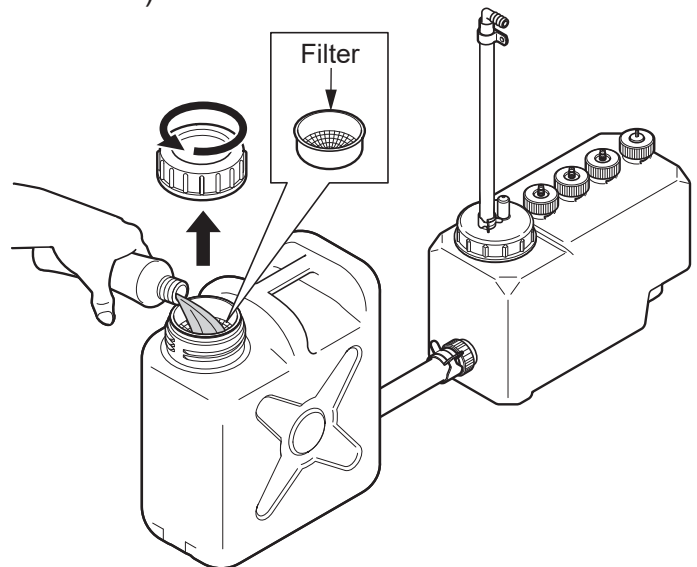
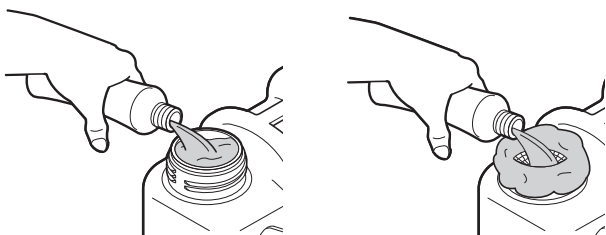
Filling the Sub-Tank (Only if a sub-tank has been installed.)

When a sub-tank has been installed, please fill the liquid soap from the opening in the sub-tank.

### Note

Pour soap slowly to avoid bubbles in the tank.

- If the soap is very slow to drain into the tank where excessive bubbling occurs, please clean the filter and cap area.

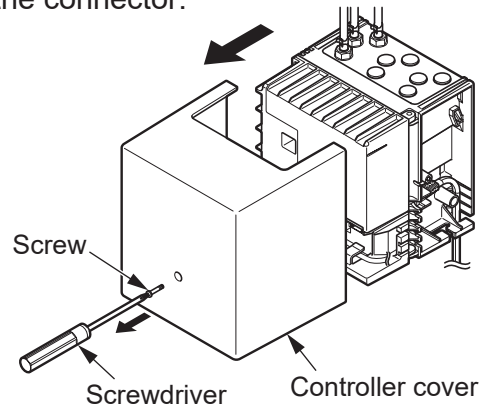


## MODE ADJUSTMENT

### Setting the Dispensing Volume of Liquid Soap

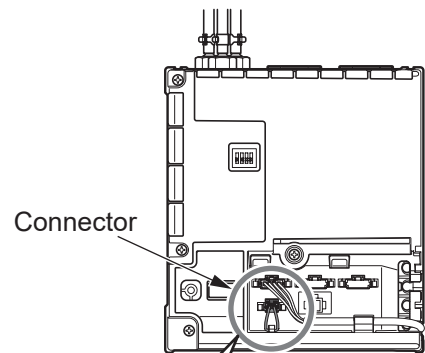
The dispensing volume of liquid soap has been adjusted to 0.04 o.z before shipping from the factory. This volume can be changed to 0.06 o.z by pulling out the connector.

1. Remove the controller cover.

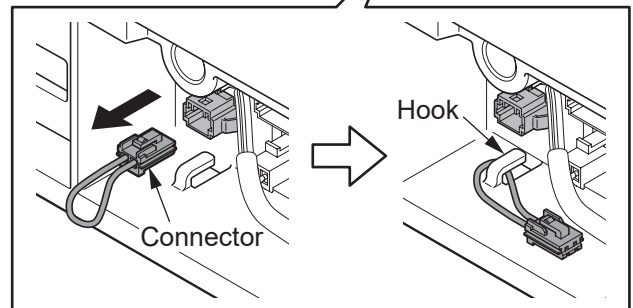


2. Remove the connector cord from the hook.

3. Pull out the connector.



4. Hang the connector on the hook.  
(To prevent loss)



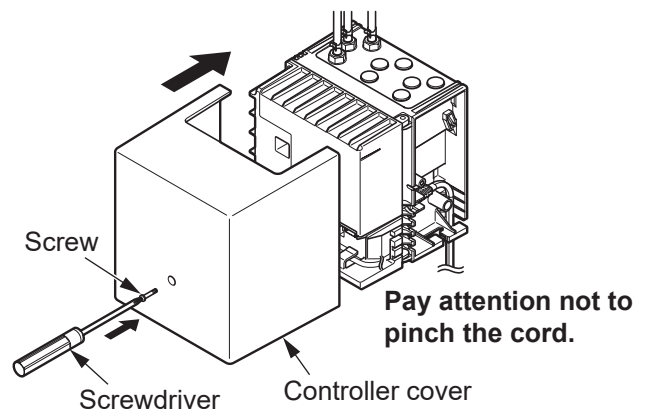
5. Mount the controller cover.

#### Caution

Tighten the screws securely.  
If water is splashed over the tank, the water can penetrate into the controller and cause damage.

#### Note

If the connector is connected again, the liquid soap dispense volume is reset to 0.04 o.z.



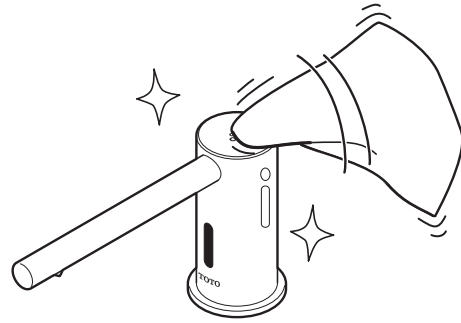
## CARE AND CLEANING

### For Light Cleaning

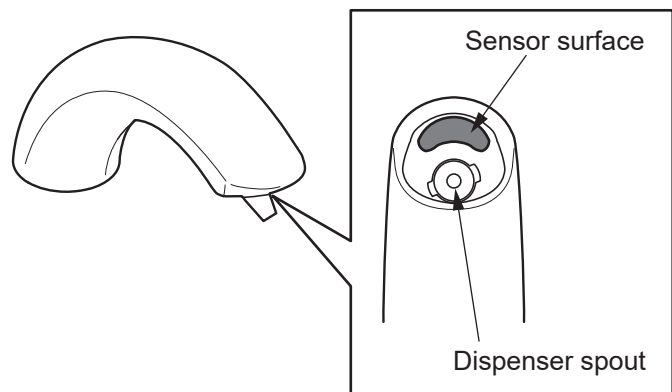
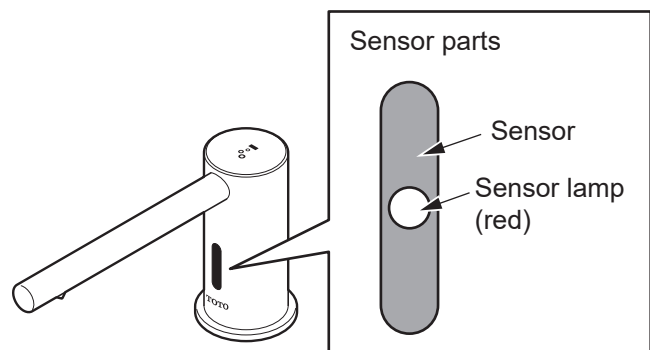
Please use a cloth that has been soaked in water and wipe away any debris adhering to the dispenser or sensor.

### For Heavy-Duty Cleaning

After wiping away debris with a cloth containing a suitable amount of a neutral, dishwashing detergent, wipe clean with a damp cloth.



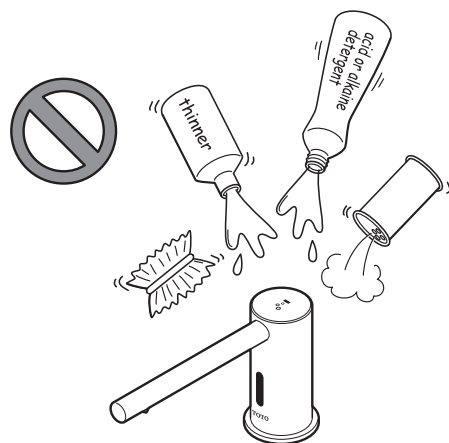
When cleaning around the sensor, please be careful not to scratch the surface of the sensor.



Please avoid using cleansers that might scratch the surface of dispenser.

These include:

- Detergents containing acid, chlorine bleach or alkali.
- Solvents like paint thinner or benzene.
- Detergents with coarse granules, polishing powder or cleanser. Nylon scrubbers, pot scrubbers, brushes, etc.





## PERIODIC MAINTENANCE - Nozzle

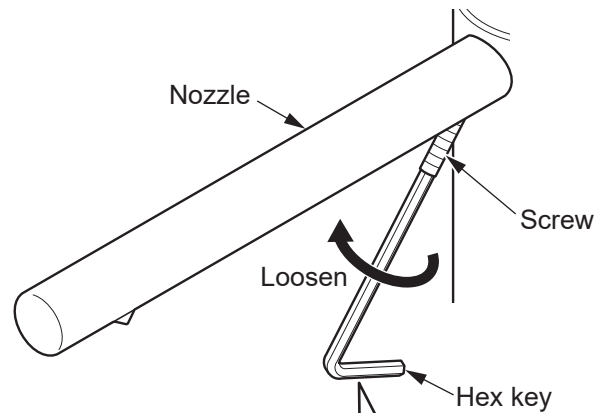
[ For the TLK0700\*G model ]

Clean the nozzle periodically as the soap cannot flow if the nozzle is clogged.

1. Unplug from the power outlet.
2. Use the hex key included to gently loosen and remove the screw.  
(Roughly 7 turns of the hex key.)

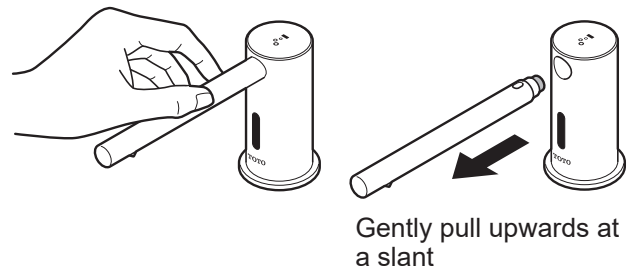
### Caution

If you clean the nozzle in a sink, make sure to cover the drain to prevent losing the small parts.



Make sure to fully insert the hex key before loosening the screw. If the hex key is not properly inserted, the screw socket may be deformed and become unusable.

3. Pull out and remove the nozzle after loosening the screw.

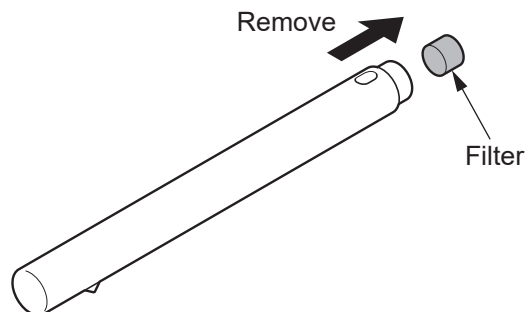


4. Pinch the filter and pull it out from the nozzle.

5. Leave the nozzle and the filter to soak in hot water for a few minutes.

### Note

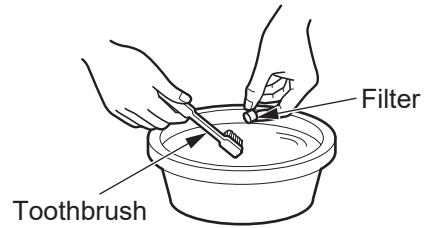
This makes it easier to remove any soap that has adhered to the nozzle.



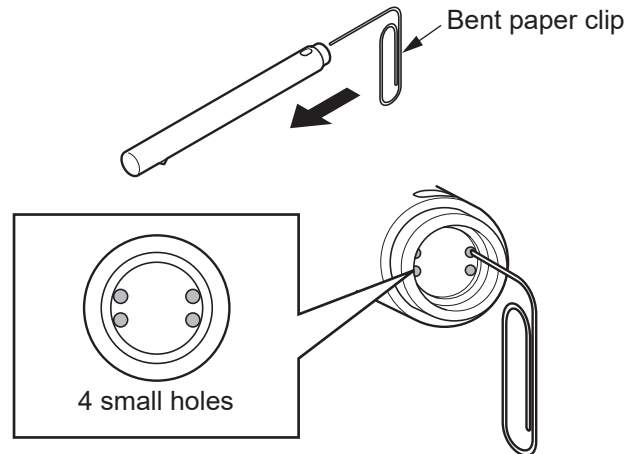
## PERIODIC MAINTENANCE - Nozzle (Continued)

6. Remove the filter from the hot water, and clean it with a soft brush.

Rinse the filter and dry it with a soft cloth.



7. Remove the nozzle from hot water. Use a bent paper clip to remove any soap clogging the 4 small holes at the soap inlet.

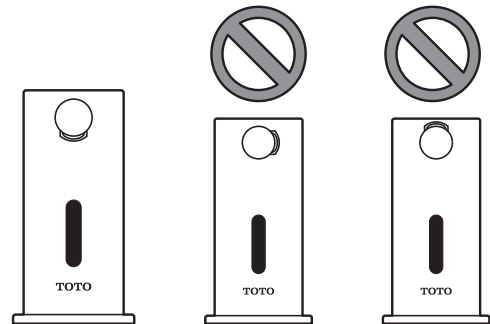


8. Attach the filter onto the nozzle when cleaning is complete. Use the hex key to secure the nozzle back onto the spout with the screw.

Insert the nozzle into the spout until the screw hole is hidden.

Make sure the nozzle is fully secured and does not come off.

### How to attach the nozzle

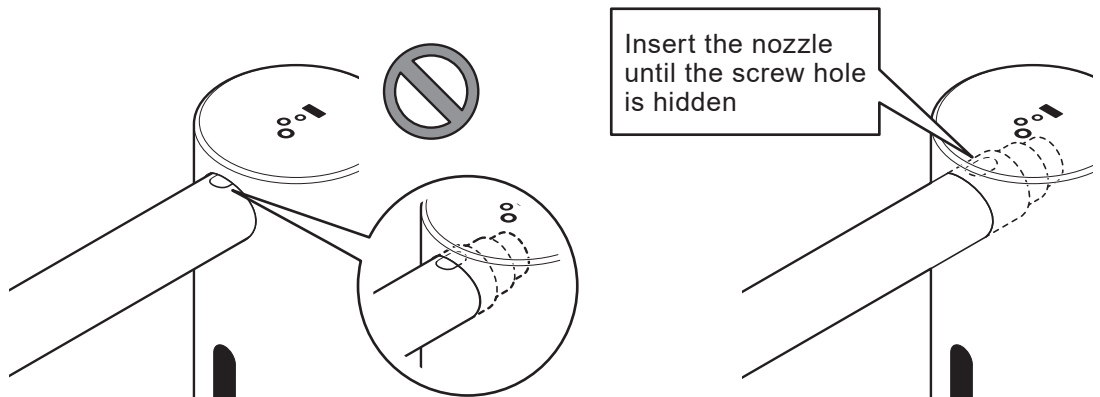


### Caution

Always attach the nozzle **with the dispensing outlet facing downwards**. Otherwise the soap may spill everywhere.

### Note

Activate the dispense to make sure no leaking occurs.

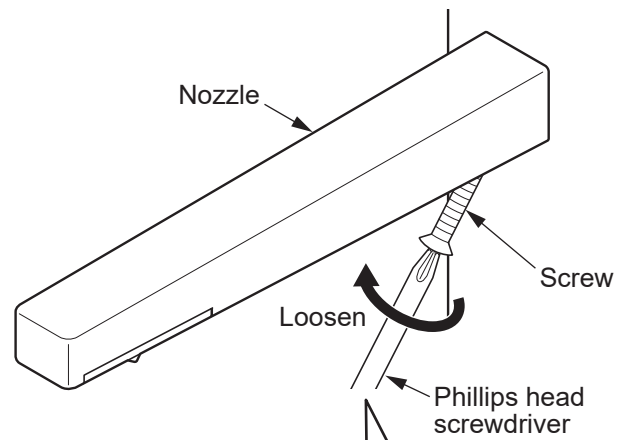


## PERIODIC MAINTENANCE - Nozzle (Continued)

[ For the TLK0800\*G model ]

Clean the nozzle periodically as the soap cannot flow if the nozzle is clogged.

1. Unplug from the power outlet.
2. Use a Phillips head screwdriver to loosen and remove the screw.  
(Turn the screwdriver about 10 turns.)

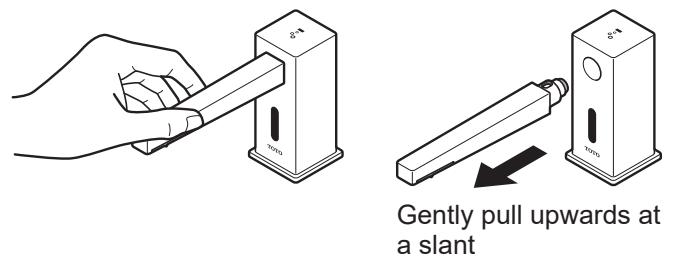


### Caution

If you clean the nozzle in a sink, make sure to cover the drain to prevent losing the small parts.

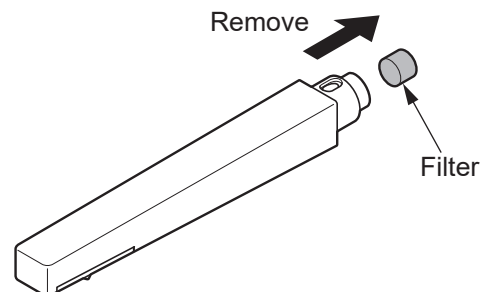
Make sure to fully insert the screwdriver tip before loosening the screw. If the Phillips head screwdriver is not properly inserted, the screw head may be deformed.

3. When the screw is completely loose, pull the nozzle out to remove it.



4. Pinch the filter and pull it out from the nozzle.

5. Leave the nozzle and the filter to soak in hot water for a few minutes.



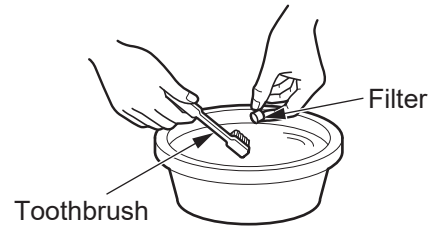
### Note

This makes it easier to remove any soap that has adhered to the nozzle.

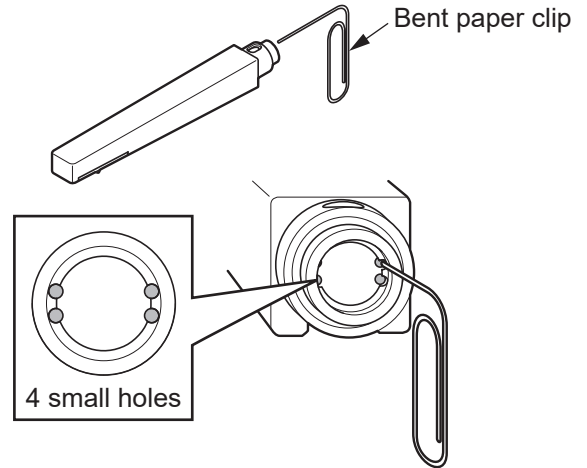
## PERIODIC MAINTENANCE - Nozzle (Continued)

6. Remove the filter from the hot water, and clean it with a soft brush.

Rinse the filter and dry it with a soft cloth.

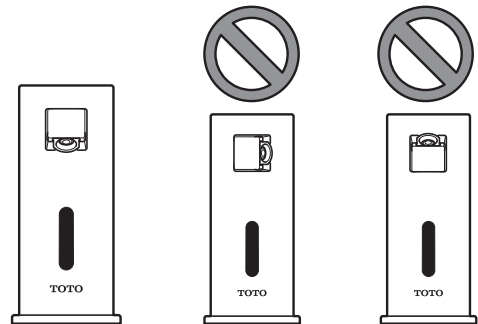


7. Remove the nozzle from hot water. Use a bent paper clip to remove any soap clogging the 4 small holes at the soap inlet.



8. Attach the filter onto the nozzle when cleaning is complete. Use the Phillips head screwdriver to secure the nozzle back onto the spout with the screw.

### How to attach the nozzle

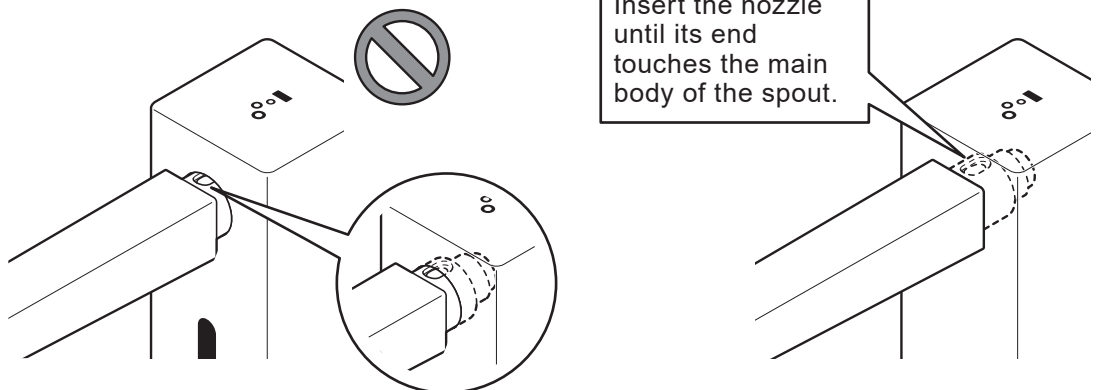


### Caution

Always attach the nozzle **with the dispensing outlet facing downwards**. Otherwise the soap may spill everywhere.

### Note

Activate the dispense to make sure no leaking occurs.



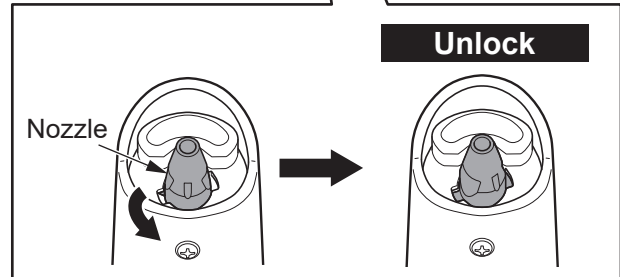
## PERIODIC MAINTENANCE - Nozzle (Continued)

1. Pull out the power plug.

2. Turn the nozzle by hand to unlock.



3. Grab the projection on the nozzle with a tool such as long-nose pliers and pull out the nozzle and the filter.



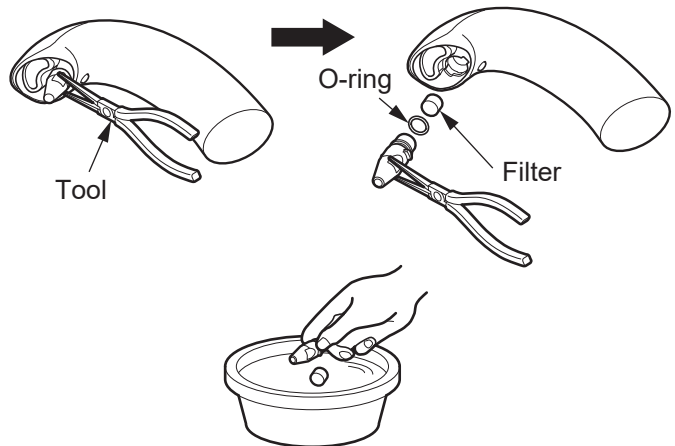
4. Clean (Wash with water) the nozzle and the filter.

### Caution

If you wash the nozzle in a wash bowl, block the drain outlet. This part is small and may be lost.

### Note

After washing them with water, wipe off moisture with a dry soft cloth.  
If you use hot water for cleaning, dirt is washed off more easily.



5. After washing the nozzle and the filter, mount them back again.  
When mounting the nozzle, turn it by hand so that it **locks with the spill hole to the lower side**.

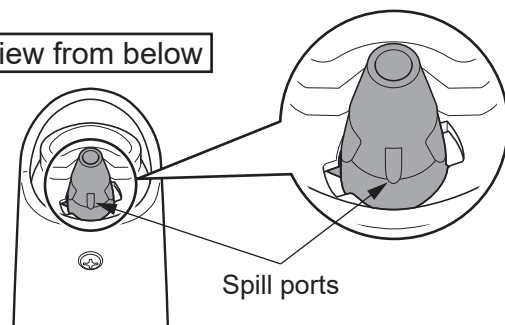
\* The nozzle is made so as not to insert reversely.

### Note

After the nozzle has been mounted, turn on the liquid soap, and make sure that water does not leak from the outside of the nozzle.

### • How to mount the nozzle

View from below



\* Be sure to mount the nozzle so that the spill hole comes to the lower side. Otherwise, liquid soap may leak.

## PERIODIC MAINTENANCE - Inside the Tank

In order to use the product comfortably, clean the inside of the tank using the following procedure.

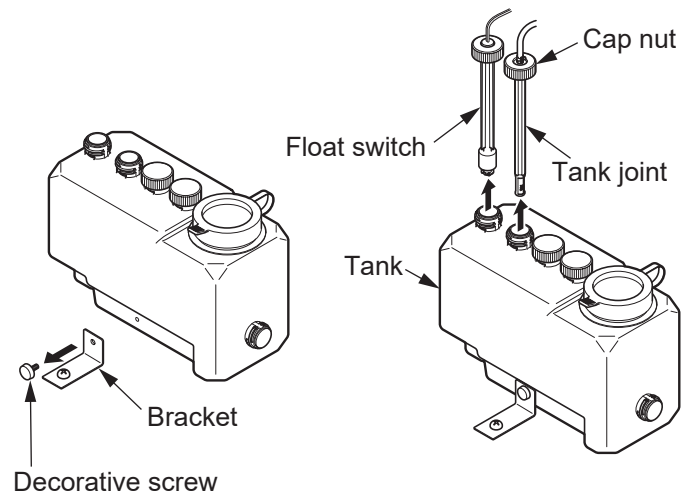
### [ 0.8 gallon (3L) Tank Type ]

1. Remove the cap nut and pull out the float switch and the tank joint from the tank.

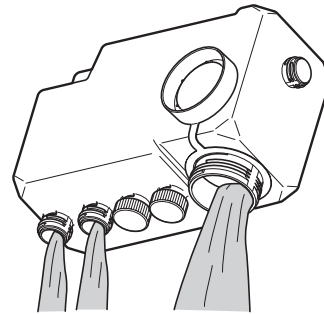
#### Note

Store the float switch and the tank joint in a bucket, etc. to avoid dust adhering to it.

2. Remove the bracket.  
If the tank is anchored on the floor or the wall, turn the decorative screw by hand and dismount the tank.



3. Wash the tank.

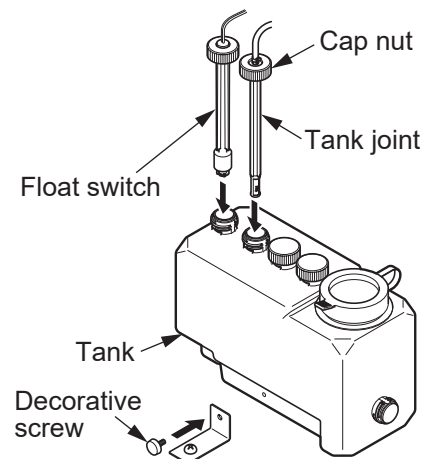


4. Put the tank back in the original position.
5. Put back the float switch and the tank joint.

#### Note

Mount the packing between the tank joint and the tank without fail.

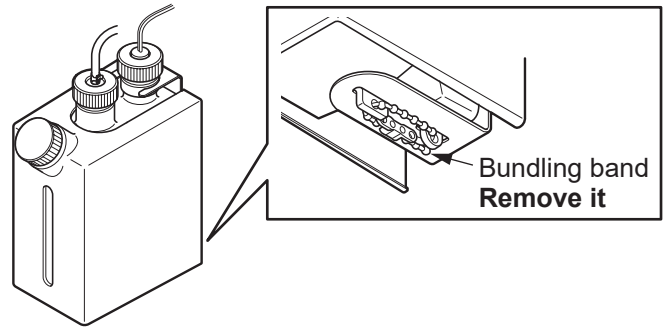
6. Mount the tank to the bracket for anchoring.



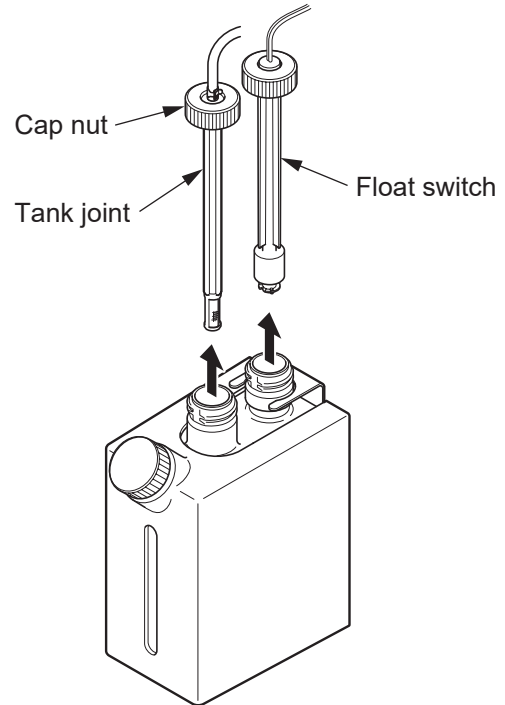
## PERIODIC MAINTENANCE - Inside the Tank (Continued)

### [ 0.26 gallon (1L) Tank Type (special order)]

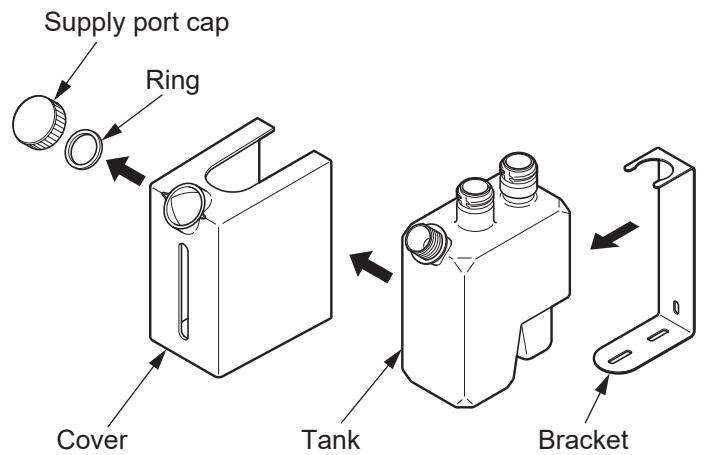
1. Remove the bracket from the underside of the tank.



2. Remove the cap nut and pull out the float switch and the tank joint.



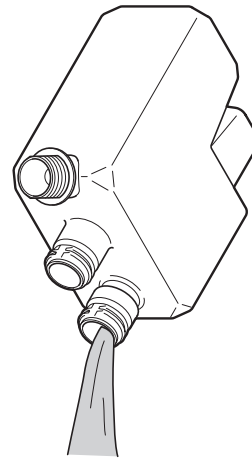
3. Remove the cap of the supply port and the ring.
4. Remove the cover and dismount the tank from the bracket.





## PERIODIC MAINTENANCE - Inside the Tank (Continued)

5. Wash the tank.

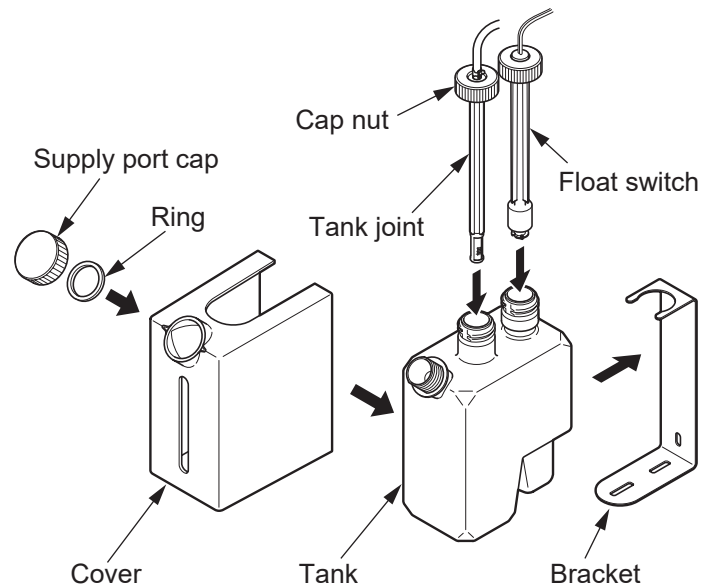


6. Put the tank back in the original position.

7. Mount the float switch and the tank joint.

8. Mount the cover, the ring and the cap of supply port.

9. Mount the bracket from the bottom of the tank.



### Once a month

Check all tube connections for any signs of leakage.

### Twice a year

Check all fixed connections and tighten as needed.

## LONG-TERM NON-USE

If there will be long periods of time where the dispenser will not be used, remove all soap from dispenser using the following method.

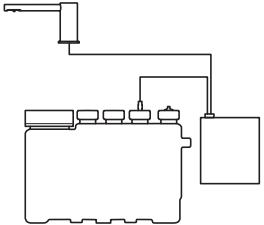
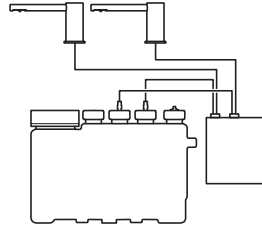
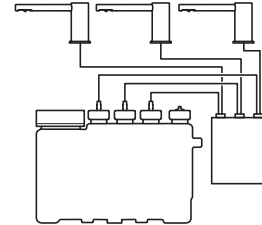
1. Remove soap from tank and wash tank out with water.
2. Fill the tank with water and set up the dispenser as usual.
3. Flush the line with water by activating dispenser until no soap comes out from spout.  
Refill the tank with water if necessary.
4. Discard any water left in tank and allow tank to dry.
5. Disconnect the power supply until use resumes.

## TROUBLESHOOTING

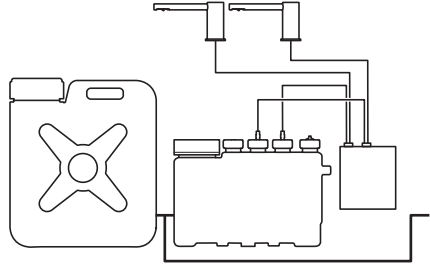
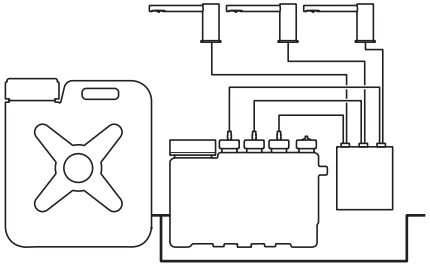
Problem	Operating	Cause	Solution
No soap comes out	Red LED flashing	Soap is low	Fill tank with liquid soap
		Obstruction in front of sensor window	Remove the obstruction
	Red LED lighting-up	Pump is not working correctly	-
	-	Sensor window is dirty	Clean sensor window
	-	Sensor window is disconnected	Connect cable
	-	Power supply is disconnected	Connect cable
	-	Tube is disconnected	Connect tube
Soap won't stop running	-	Sensor window is dirty	Clean sensor window
It doesn't dispense mousse	-	Air tube (blue) is disconnected	Connect air tube
	-	Soap viscosity is high	Change to TOTO approved liquid soap
Soap comes out unexpectedly	-	Soap will be automatic dispersed after 72 hours of non-usage to prevent clogging.	-
Amount of dispensed soap is small	-	Soap viscosity is high	Change to TOTO approved liquid soap
	-	Filter is clogged	Clean filter

# SPECIFICATIONS

ENGLISH

Not use with Sub-Tank							
Kit Model #		TES201A*#\$\$	TES201A*i2#\$\$	TES202A*#\$\$	TES202A*i2#\$\$	TES203A*#\$\$	TES203A*i2#\$\$
COM- PONENT	Spout	TLK0700*G TLK0800*G #\$\$ x 1 TLK03001G		TLK0700*G TLK0800*G #\$\$ x 2 TLK03001G		TLK0700*G TLK0800*G #\$\$ x 3 TLK03001G	
	Controller & Tank	TLK01101UA x 1	TLK01101Ui2 x 1 (TLK01101U1A & Daughter Card)	TLK01102UA x 1	TLK01102Ui2 x 1 (TLK01102U1A & Daughter Card)	TLK01103UA x 1	TLK01103Ui2 x 1 (TLK01103U1A & Daughter Card)
Configuration							
Specifications	Power supply	AC 120 V					
	Wattage	4 W		6.5 W		9 W	
	Sensor detection range	5-1/8" – 7-7/8" (130–200 mm) sensor is self-adjusting					
	Ambient Temperature	34–104°F (1–40°C)					
	Humidity	Max.90% RH					
	Power Cord Length	55" (1.4 m)					
	Soap volume	0.04 o.z (1.2 ml) (at factory setting)					
Tank Capacity	Approximately 0.8 gallon (3 L) (Usable Capacity)						

## SPECIFICATIONS (Continued)

Use with Sub-Tank					
Kit Model #		TES204A*#\$\$	TES204A*i2#\$\$	TES205A*#\$\$	TES205A*i2#\$\$
COMPONENT	Spout	TLK0700*G TLK0800*G #\$\$ x 2 TLK03001G		TLK0700*G TLK0800*G #\$\$ x 3 TLK03001G	
	Controller & Tank	TLK01106UA x 1	TLK01106Ui2 x 1 (TLK01106U1A & Daughter Card)	TLK01107UA x 1	TLK01107Ui2 x 1 (TLK01107U1A & Daughter Card)
	Sub-Tank	TLK01401U x 1	TLK01401U x 1	TLK01401U x 1	TLK01401U x 1
Configuration					
Specifications	Power supply	AC 120 V			
	Wattage	6.5 W		9 W	
	Sensor detection range	5-1/8" – 7-7/8" (130–200 mm) sensor is self-adjusting			
	Ambient Temperature	34–104°F (1–40°C)			
	Humidity	Max.90% RH			
	Power Cord Length	55" (1.4m)			
	Soap volume	0.04 o.z (1.2 ml) (at factory setting)			
	Tank Capacity	6.1 gallons (23 L) (usable capacity)			

## THREE YEAR LIMITED WARRANTY

Warranty applies to select Electronic Flush Valves, Faucets and Soap Dispensers only.

1. TOTO warrants its electronic flush valves, faucets and soap dispensers ("Product") to be free from defects in materials and workmanship during normal use when properly installed and serviced, for a period of three (3) years from date of purchase. This limited warranty is extended only to the ORIGINAL PURCHASER of the Product and is not transferable to any third party, including but not limited to any subsequent purchaser or owner of the Product. This warranty applies only to TOTO Product purchased and installed in North, Central and South America.
2. TOTO's obligations under this warranty are limited to repair, replacement or other appropriate adjustment, at TOTO's option, of the Product or parts found to be defective in normal use, provided that such Product was properly installed, used and serviced in accordance with instructions. TOTO reserves the right to make such inspections as may be necessary in order to determine the cause of the defect. TOTO will not charge for labor or parts in connection with warranty repairs or replacements. TOTO is not responsible for the cost of removal, return and/or reinstallation of the Product.
3. This warranty does not apply to the following items:
  - a. Damage or loss sustained in a natural calamity such as fire, earthquake, flood, thunder, electrical storm, etc.
  - b. Damage or loss resulting from any accident, unreasonable use, misuse, abuse, negligence, or improper care, cleaning, or maintenance of the Product.
  - c. Damage or loss resulting from sediments or foreign matter contained in a water system.
  - d. Damage or loss resulting from improper installation or from installation of the Product in a harsh and/or hazardous environment, or improper removal, repair or modification of the Product.
  - e. Damage or loss resulting from electrical surges or lightning strikes or other acts which are not the fault of TOTO or which the Product is not specified to tolerate.
  - f. Damage or loss resulting from normal and customary wear and tear, such as gloss reduction, scratching or fading over time due to use, cleaning practices or water or atmospheric conditions, including but not limited to, the use of bleach, alkali, acid cleaners, dry (powder) cleaners or any other abrasive cleaners or the use of metal or nylon scrubbers.
4. In order for this limited warranty to be valid, proof of purchase is required. TOTO encourages warranty registration upon purchase to create a record of Product ownership at <http://www.totousa.com>. Product registration is completely voluntary and failure to register will not diminish your limited warranty rights.
5. THIS WARRANTY GIVES YOU SPECIFIC LEGAL RIGHTS. YOU MAY HAVE OTHER RIGHTS WHICH VARY FROM STATE TO STATE, PROVINCE TO PROVINCE OR COUNTRY TO COUNTRY.
6. To obtain warranty repair service under this warranty, you must take the Product or deliver it prepaid to a TOTO service facility together with proof of purchase (original sales receipt) and a letter stating the problem, or contact a TOTO distributor or products service contractor, or write directly to TOTO U.S.A., INC., 1155 Southern Road, Morrow, GA 30260 (888) 295 8134 or (678) 466-1300, if outside the U.S.A. If, because of the size of the Product or nature of the defect, the Product cannot be returned to TOTO, receipt by TOTO of written notice of the defect together with proof of purchase (original sales receipt) shall constitute delivery. In such case, TOTO may choose to repair the Product at the purchaser's location or pay to transport the Product to a service facility.

**THIS WRITTEN WARRANTY IS THE ONLY WARRANTY MADE BY TOTO. REPAIR, REPLACEMENT OR OTHER APPROPRIATE ADJUSTMENT AS PROVIDED UNDER THIS WARRANTY SHALL BE THE EXCLUSIVE REMEDY AVAILABLE TO THE ORIGINAL PURCHASER. TOTO SHALL NOT BE RESPONSIBLE FOR LOSS OF THE PRODUCT OR FOR OTHER INCIDENTAL, SPECIAL OR CONSEQUENTIAL DAMAGES OR EXPENSES INCURRED BY THE ORIGINAL PURCHASER, OR FOR LABOR OR OTHER COSTS DUE TO INSTALLATION OR REMOVAL, OR COSTS OF REPAIRS BY OTHERS, OR FOR ANY OTHER EXPENSE NOT SPECIFICALLY STATED ABOVE. IN NO EVENT WILL TOTO'S RESPONSIBILITY EXCEED THE PURCHASE PRICE OF THE PRODUCT. EXCEPT TO THE EXTENT PROHIBITED BY APPLICABLE LAW, ANY IMPLIED WARRANTIES, INCLUDING THAT OF MERCHANTABILITY OR FITNESS FOR USE OR FOR A PARTICULAR PURPOSE, ARE EXPRESSLY DISCLAIMED. SOME STATES DO NOT ALLOW LIMITATIONS ON HOW LONG AN IMPLIED WARRANTY LASTS, OR THE EXCLUSION OR LIMITATION OF INCIDENTAL OR CONSEQUENTIAL DAMAGES, SO THE ABOVE LIMITATION AND EXCLUSION MAY NOT APPLY TO YOU.**

## ÍNDICE

¡GRACIAS POR ELEGIR TOTO! .....	35
ADVERTENCIAS .....	35
ANTES DE LA INSTALACIÓN .....	35
PIEZAS INCLUIDAS .....	36
PROCEDIMIENTO DE INSTALACIÓN .....	40
PRUEBAS .....	51
MODO DE USO.....	52
RECARGA DEL TANQUE.....	53
AJUSTE DE MODO.....	54
CUIDADO Y LIMPIEZA .....	55
MANTENIMIENTO PERIÓDICO .....	56
FALTA DE USO DURANTE PERÍODOS PROLONGADOS.....	64
SOLUCIÓN DE PROBLEMAS .....	64
ESPECIFICACIONES .....	65
GARANTÍA LIMITADA DE TRES AÑOS.....	67
DIMENSIONES DE LA ESTRUCTURA INTERIOR.....	134

## ¡GRACIAS POR ELEGIR TOTO!

La misión de TOTO es ofrecer al mundo estilos de vida saludables, higiénicos y más cómodos. Diseñamos cada producto con un equilibrio entre forma y función como un principio orientador. Felicitaciones por su elección.

## ADVERTENCIAS

Lea y siga las siguientes notas. No hacerlo podría producir lesiones personales o daños a la propiedad.

- Ninguna otra persona que no sea el ingeniero de servicio puede desmontar, reparar ni modificar este dispensador, a menos que se describa específicamente en este manual. No hacerlo podría producir un choque eléctrico o el mal funcionamiento del equipo.
- No utilice el dispensador en una ubicación húmeda en donde la condensación pueda acumularse en la superficie, especialmente en un sauna o un baño de vapor.
- No golpee ni patee el dispensador ni la caja del controlador ya que puede dañar la unidad o producir una fuga.
- No utilice el dispensador si la temperatura ambiente desciende a bajo cero.
- Asegúrese de que el cable de alimentación no entre en contacto con la línea de suministro de agua caliente.
- Evite colocar objetos dentro del rango de detección del sensor infrarrojo.
- Utilice solo el jabón líquido aprobado por TOTO para evitar la nulidad de la garantía.
- Asegúrese de que la toma eléctrica esté en una posición donde no se humedezca durante el uso.

## ANTES DE LA INSTALACIÓN

- Lea estas instrucciones detenidamente para garantizar la instalación adecuada.
- TOTO se reserva el derecho de actualizar el diseño del producto sin aviso.
- Realice una verificación para asegurarse de que cuenta con las piezas indicadas en la siguiente página.

# PIEZAS INCLUIDAS

## DESGLOSE DE LOS COMPONENTES

ESPAÑOL

OPCIÓN DE KIT		COMPONENTES							
	N.º de modelo de kit	Montaje de salida para tina	Boquilla		Controlador & Tanque		Subtanque		
			N.º de modelo	Cantidad	N.º de modelo	Cantidad	N.º de modelo	Cantidad	
Estándar	TES201AB#\$\$	1	→	TLK07001G#\$\$	1	TLK01101UA	1 (Para 1 salida para tina)		
	TES202AB#\$\$	2	→	TLK07001G#\$\$	2	TLK01102UA	1 (Para 2 salidas para tina)		
	TES203AB#\$\$	3	→	TLK07001G#\$\$	3	TLK01103UA	1 (Para 3 salidas para tina)		
	TES204AB#\$\$	2	→	TLK07001G#\$\$	2	TLK01106UA	1 (Para 2 salidas para tina)	TLK01401U	1
	TES205AB#\$\$	3	→	TLK07001G#\$\$	3	TLK01107UA	1 (Para 3 salidas para tina)	TLK01401U	1
con tarjeta hija	TES201ABi2#\$\$	1	→	TLK07001G#\$\$	1	TLK01101Ui2 ( TLK01101U1A & Tarjeta hija )	1 (Para 1 salida para tina)		
	TES202ABi2#\$\$	2	→	TLK07001G#\$\$	2	TLK01102Ui2 ( TLK01102U1A & Tarjeta hija )	1 (Para 2 salidas para tina)		
	TES203ABi2#\$\$	3	→	TLK07001G#\$\$	3	TLK01103Ui2 ( TLK01103U1A & Tarjeta hija )	1 (Para 3 salidas para tina)		
	TES204ABi2#\$\$	2	→	TLK07001G#\$\$	2	TLK01106Ui2 ( TLK01106U1A & Tarjeta hija )	1 (Para 2 salidas para tina)	TLK01401U	1
	TES205ABi2#\$\$	3	→	TLK07001G#\$\$	3	TLK01107Ui2 ( TLK01107U1A & Tarjeta hija )	1 (Para 3 salidas para tina)	TLK01401U	1

OPCIÓN DE KIT		COMPONENTES							
	N.º de modelo de kit	Montaje de salida para tina	Boquilla		Controlador & Tanque		Subtanque		
			N.º de modelo	Cantidad	N.º de modelo	Cantidad	N.º de modelo	Cantidad	
Estándar	TES201AD#\$\$	1	→	TLK07003G#\$\$	1	TLK01101UA	1 (Para 1 salida para tina)		
	TES202AD#\$\$	2	→	TLK07003G#\$\$	2	TLK01102UA	1 (Para 2 salidas para tina)		
	TES203AD#\$\$	3	→	TLK07003G#\$\$	3	TLK01103UA	1 (Para 3 salidas para tina)		
	TES204AD#\$\$	2	→	TLK07003G#\$\$	2	TLK01106UA	1 (Para 2 salidas para tina)	TLK01401U	1
	TES205AD#\$\$	3	→	TLK07003G#\$\$	3	TLK01107UA	1 (Para 3 salidas para tina)	TLK01401U	1
con tarjeta hija	TES201ADI2#\$\$	1	→	TLK07003G#\$\$	1	TLK01101Ui2 ( TLK01101U1A & Tarjeta hija )	1 (Para 1 salida para tina)		
	TES202ADI2#\$\$	2	→	TLK07003G#\$\$	2	TLK01102Ui2 ( TLK01102U1A & Tarjeta hija )	1 (Para 2 salidas para tina)		
	TES203ADI2#\$\$	3	→	TLK07003G#\$\$	3	TLK01103Ui2 ( TLK01103U1A & Tarjeta hija )	1 (Para 3 salidas para tina)		
	TES204ADI2#\$\$	2	→	TLK07003G#\$\$	2	TLK01106Ui2 ( TLK01106U1A & Tarjeta hija )	1 (Para 2 salidas para tina)	TLK01401U	1
	TES205ADI2#\$\$	3	→	TLK07003G#\$\$	3	TLK01107Ui2 ( TLK01107U1A & Tarjeta hija )	1 (Para 3 salidas para tina)	TLK01401U	1

OPCIÓN DE KIT		COMPONENTES							
	N.º de modelo de kit	Montaje de salida para tina	Boquilla		Controlador & Tanque		Subtanque		
			N.º de modelo	Cantidad	N.º de modelo	Cantidad	N.º de modelo	Cantidad	
Estándar	TES201AA#\$\$	1	→	TLK03001G#\$\$	1	TLK01101U	1 (Para 1 salida para tina)		
	TES202AA#\$\$	2	→	TLK03001G#\$\$	2	TLK01102U	1 (Para 2 salidas para tina)		
	TES203AA#\$\$	3	→	TLK03001G#\$\$	3	TLK01103U	1 (Para 3 salidas para tina)		
	TES204AA#\$\$	2	→	TLK03001G#\$\$	2	TLK01106U	1 (Para 2 salidas para tina)	TLK01401U	1
	TES205AA#\$\$	3	→	TLK03001G#\$\$	3	TLK01107U	1 (Para 3 salidas para tina)	TLK01401U	1
con tarjeta hija	TES201AAi2#\$\$	1	→	TLK03001G#\$\$	1	TLK01101Ui2 ( TLK01101U1 & Tarjeta hija )	1 (Para 1 salida para tina)		
	TES202AAi2#\$\$	2	→	TLK03001G#\$\$	2	TLK01102Ui2 ( TLK01102U1 & Tarjeta hija )	1 (Para 2 salidas para tina)		
	TES203AAi2#\$\$	3	→	TLK03001G#\$\$	3	TLK01103Ui2 ( TLK01103U1 & Tarjeta hija )	1 (Para 3 salidas para tina)		
	TES204AAi2#\$\$	2	→	TLK03001G#\$\$	2	TLK01106Ui2 ( TLK01106U1 & Tarjeta hija )	1 (Para 2 salidas para tina)	TLK01401U	1
	TES205AAi2#\$\$	3	→	TLK03001G#\$\$	3	TLK01107Ui2 ( TLK01107U1 & Tarjeta hija )	1 (Para 3 salidas para tina)	TLK01401U	1

## PIEZAS INCLUIDAS (continuación)

### DESGLOSE DE LOS COMPONENTES

OPCIÓN DE KIT			COMPONENTES						
	N.º de modelo de kit	Montaje de salida para tina	Boquilla		Controlador & Tanque		Subtanque		
			N.º de modelo	Cantidad	N.º de modelo	Cantidad	N.º de modelo	Cantidad	
Estándar	TES201AE#\$\$	1	→	TLK08001G#\$\$	1	TLK01101UA	1 (Para 1 salida para tina)		
	TES202AE#\$\$	2	→	TLK08001G#\$\$	2	TLK01102UA	1 (Para 2 salidas para tina)		
	TES203AE#\$\$	3	→	TLK08001G#\$\$	3	TLK01103UA	1 (Para 3 salidas para tina)		
	TES204AE#\$\$	2	→	TLK08001G#\$\$	2	TLK01106UA	1 (Para 2 salidas para tina)	TLK01401U	1
	TES205AE#\$\$	3	→	TLK08001G#\$\$	3	TLK01107UA	1 (Para 3 salidas para tina)	TLK01401U	1
con tarjeta hija	TES201AEi2#\$\$	1	→	TLK08001G#\$\$	1	TLK01101Ui2 ( TLK01101U1A & Tarjeta hija )	1 (Para 1 salida para tina)		
	TES202AEi2#\$\$	2	→	TLK08001G#\$\$	2	TLK01102Ui2 ( TLK01102U1A & Tarjeta hija )	1 (Para 2 salidas para tina)		
	TES203AEi2#\$\$	3	→	TLK08001G#\$\$	3	TLK01103Ui2 ( TLK01103U1A & Tarjeta hija )	1 (Para 3 salidas para tina)		
	TES204AEi2#\$\$	2	→	TLK08001G#\$\$	2	TLK01106Ui2 ( TLK01106U1A & Tarjeta hija )	1 (Para 2 salidas para tina)	TLK01401U	1
	TES205AEi2#\$\$	3	→	TLK08001G#\$\$	3	TLK01107Ui2 ( TLK01107U1A & Tarjeta hija )	1 (Para 3 salidas para tina)	TLK01401U	1

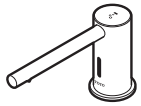
OPCIÓN DE KIT			COMPONENTES						
	N.º de modelo de kit	Montaje de salida para tina	Boquilla		Controlador & Tanque		Subtanque		
			N.º de modelo	Cantidad	N.º de modelo	Cantidad	N.º de modelo	Cantidad	
Estándar	TES201AF#\$\$	1	→	TLK08002G#\$\$	1	TLK01101UA	1 (Para 1 salida para tina)		
	TES202AF#\$\$	2	→	TLK08002G#\$\$	2	TLK01102UA	1 (Para 2 salidas para tina)		
	TES203AF#\$\$	3	→	TLK08002G#\$\$	3	TLK01103UA	1 (Para 3 salidas para tina)		
	TES204AF#\$\$	2	→	TLK08002G#\$\$	2	TLK01106UA	1 (Para 2 salidas para tina)	TLK01401U	1
	TES205AF#\$\$	3	→	TLK08002G#\$\$	3	TLK01107UA	1 (Para 3 salidas para tina)	TLK01401U	1
con tarjeta hija	TES201AFi2#\$\$	1	→	TLK08002G#\$\$	1	TLK01101Ui2 ( TLK01101U1A & Tarjeta hija )	1 (Para 1 salida para tina)		
	TES202AFi2#\$\$	2	→	TLK08002G#\$\$	2	TLK01102Ui2 ( TLK01102U1A & Tarjeta hija )	1 (Para 2 salidas para tina)		
	TES203AFi2#\$\$	3	→	TLK08002G#\$\$	3	TLK01103Ui2 ( TLK01103U1A & Tarjeta hija )	1 (Para 3 salidas para tina)		
	TES204AFi2#\$\$	2	→	TLK08002G#\$\$	2	TLK01106Ui2 ( TLK01106U1A & Tarjeta hija )	1 (Para 2 salidas para tina)	TLK01401U	1
	TES205AFi2#\$\$	3	→	TLK08002G#\$\$	3	TLK01107Ui2 ( TLK01107U1A & Tarjeta hija )	1 (Para 3 salidas para tina)	TLK01401U	1

OPCIÓN DE KIT			COMPONENTES						
	N.º de modelo de kit	Montaje de salida para tina	Boquilla		Controlador & Tanque		Subtanque		
			N.º de modelo	Cantidad	N.º de modelo	Cantidad	N.º de modelo	Cantidad	
Estándar	TES201AG#\$\$	1	→	TLK08003G#\$\$	1	TLK01101UA	1 (Para 1 salida para tina)		
	TES202AG#\$\$	2	→	TLK08003G#\$\$	2	TLK01102UA	1 (Para 2 salidas para tina)		
	TES203AG#\$\$	3	→	TLK08003G#\$\$	3	TLK01103UA	1 (Para 3 salidas para tina)		
	TES204AG#\$\$	2	→	TLK08003G#\$\$	2	TLK01106UA	1 (Para 2 salidas para tina)	TLK01401U	1
	TES205AG#\$\$	3	→	TLK08003G#\$\$	3	TLK01107UA	1 (Para 3 salidas para tina)	TLK01401U	1
con tarjeta hija	TES201AGi2#\$\$	1	→	TLK08003G#\$\$	1	TLK01101Ui2 ( TLK01101U1A & Tarjeta hija )	1 (Para 1 salida para tina)		
	TES202AGi2#\$\$	2	→	TLK08003G#\$\$	2	TLK01102Ui2 ( TLK01102U1A & Tarjeta hija )	1 (Para 2 salidas para tina)		
	TES203AGi2#\$\$	3	→	TLK08003G#\$\$	3	TLK01103Ui2 ( TLK01103U1A & Tarjeta hija )	1 (Para 3 salidas para tina)		
	TES204AGi2#\$\$	2	→	TLK08003G#\$\$	2	TLK01106Ui2 ( TLK01106U1A & Tarjeta hija )	1 (Para 2 salidas para tina)	TLK01401U	1
	TES205AGi2#\$\$	3	→	TLK08003G#\$\$	3	TLK01107Ui2 ( TLK01107U1A & Tarjeta hija )	1 (Para 3 salidas para tina)	TLK01401U	1



## PIEZAS INCLUIDAS (continuación)

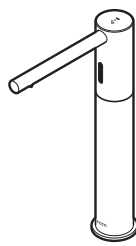
### Conjunto de la boquilla



TLK07001G



Llave hexagonal  
(Tamaño: 1,5 mm)



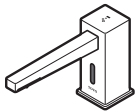
TLK07003G



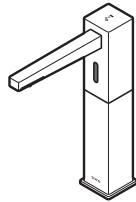
Llave hexagonal  
(Tamaño: 1,5 mm)



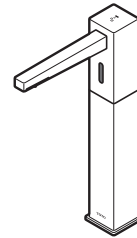
TLK03001G



TLK08001G

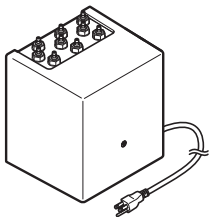


TLK08002G

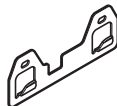


TLK08003G

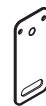
### Controlador



Tornillo  
( $\Phi$  5,1 mm x 32 mm)



Soporte



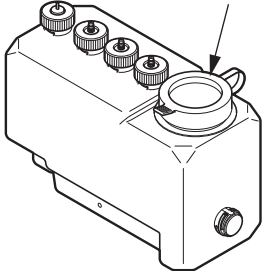
Placa de anclaje



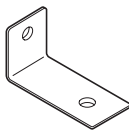
Tornillo roscador  
avellanado  
( $\Phi$  4 mm x 10 mm)

### Tanque de 3 l (0,8 gal)

Tapa del acceso  
de suministro



Conjunto de soportes  
(solo para tanque de 3 l)



Soporte



Tornillo  
( $\Phi$  5,1 mm x 32 mm)



Tornillo  
decorativo



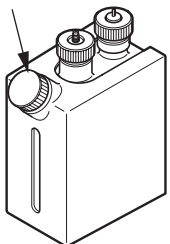
Manguera 2 m (6' 6-3/4")  
(tipo simple: 1; tipo doble: 2;  
tipo triple: 3)



Abrazadera para manguera  
(tipo simple: 2; tipo doble: 4;  
tipo triple: 6)

### \* Tanque de 1 l (0,26 gal) (pedido especial)

Tapa del acceso  
de suministro



Soporte



Banda de  
agrupación



Manguera de 180 mm (7-1/16")



Tornillo de cabeza redonda  
( $\Phi$  5,1 mm x 32 mm)

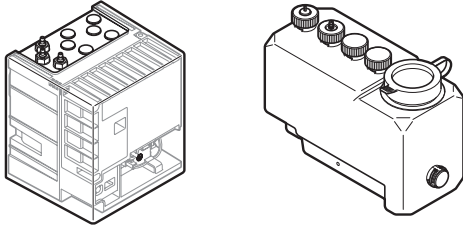


Abrazadera para  
manguera: 2

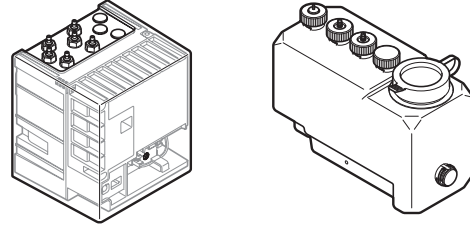
# PIEZAS INCLUIDAS (continuación)

## Controlador & Tanque

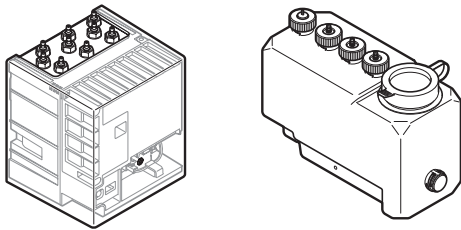
TLK01101UA, TLK01101Ui2



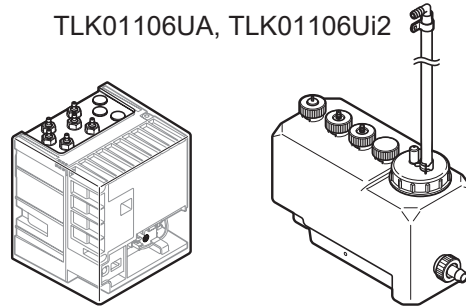
TLK01102UA, TLK01102Ui2



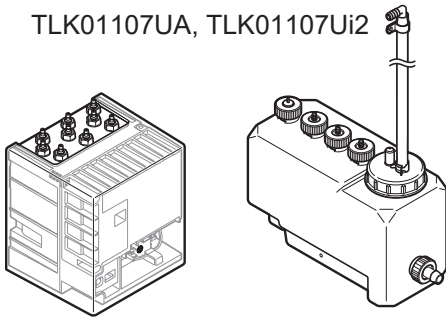
TLK01103UA, TLK01103Ui2



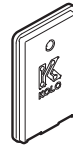
TLK01106UA, TLK01106Ui2



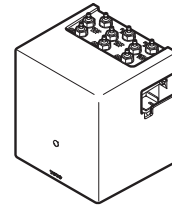
TLK01107UA, TLK01107Ui2



\*El modelo TLK0110xUi2 incluye una tarjeta hija.  
\*El revestimiento exterior del modelo TLK0110xUi2 tiene una abertura en el lado derecho.



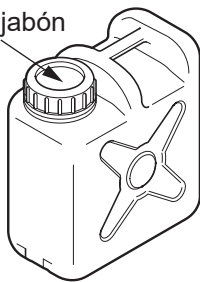
Tarjeta hija



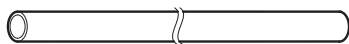
Abertura

## Unidad del subtanque (TLK01401U)

Toma de jabón



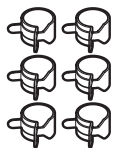
Subtanque



Manguera de conexión de 5 m (16' 4-7/8")



Niple en Y

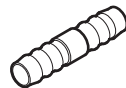


Abrazaderas para manguera (6)

## Unidad del manguera (TLK01403U)



Manguera de conexión de 5 m (16' 4-7/8")

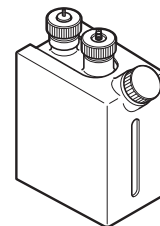
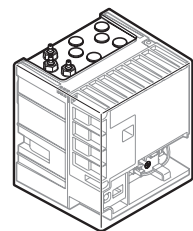


Niple en I



Abrazadera para manguera (1)

## Pedido especial



## PROCEDIMIENTO DE INSTALACIÓN: POSICIONAMIENTO

### Colocación el dispensador

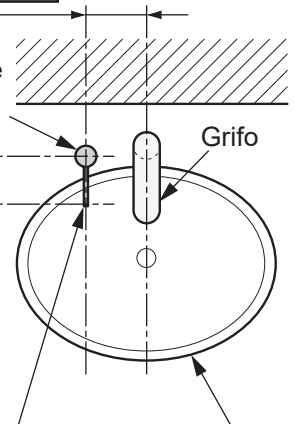
1. Asegúrese de dejar un espacio de al menos 120 mm (4-3/4") entre el dispensador de jabón y el grifo para evitar la activación accidental.
2. Deje un espacio máximo de 80 mm (3-1/8") desde el borde interior del lavabo hasta el orificio de instalación de la boquilla para garantizar que el jabón residual caiga desde la boquilla del dispensador hasta la piletta del lavabo.

(1) El espacio entre el dispensador y el grifo debe ser de 120 mm (4-3/4") como mínimo.

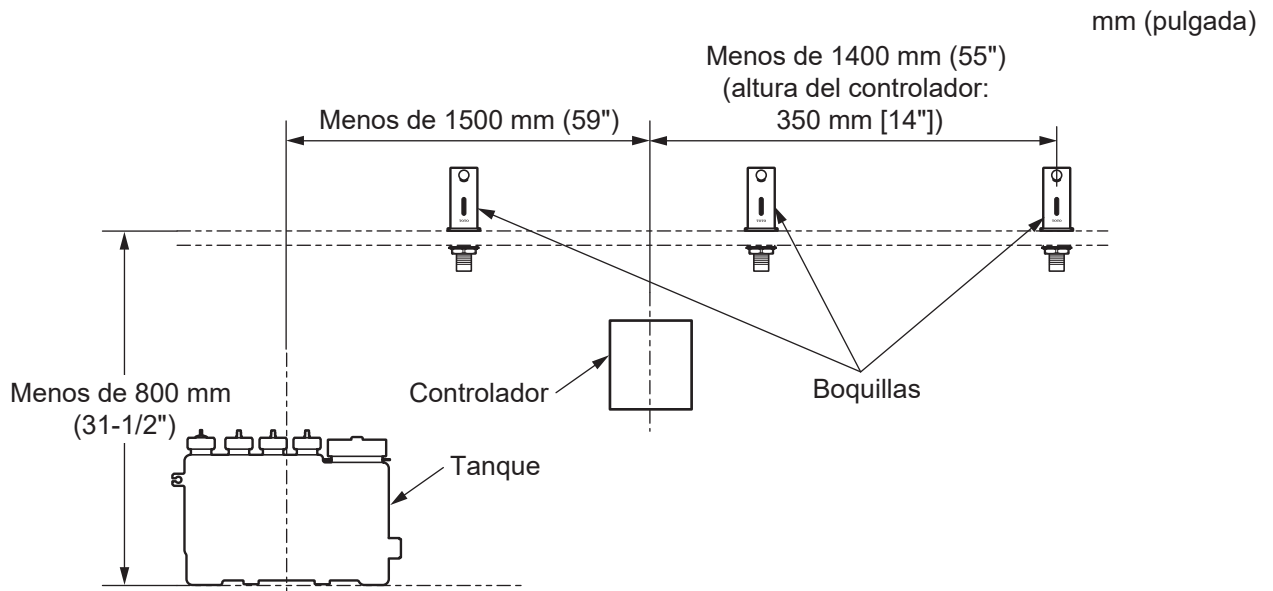
El orificio para instalar el dispensador debe ser de 25-28 mm (1" - 1-1/8") de diámetro.

(2) La distancia desde el dispensador de jabón hasta el borde del lavabo debe ser de 80 mm (3-1/8") como máximo.

Dispensador de jabón sin contacto      Lavabo



### Colocación el tanque



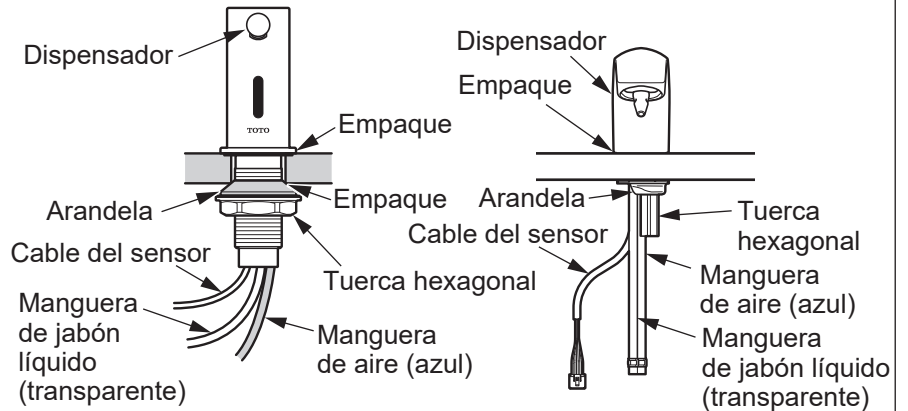
- Instale el tanque dentro a 800 mm (31-1/2") desde la cara superior de la encimera. Tampoco debería superar la altura del extremo superior del controlador. No se puede instalar en la encimera ni en el nivel inferior. Si se instala fuera de este rango, es posible que se produzcan los siguientes problemas. El chorro es menos caudaloso y el jabón no produce espuma.
- La longitud de la manguera conectada al boquilla es de 1,8 m (6,0 pies). Instale el controlador de modo que la manguera se pueda conectar al mismo.

## PROCEDIMIENTO DE INSTALACIÓN: boquilla

1. Inserte el dispensador en los orificios de instalación en la encimera (o el lavabo).
2. Asegure el dispensador con la arandela y la tuerca hexagonal.

### Precaución

Asegúrese de que los cables y los tubos no se doblen.



## PROCEDIMIENTO DE INSTALACIÓN: controlador

Marque las posiciones de los orificios de los tornillos para la placa de anclaje.

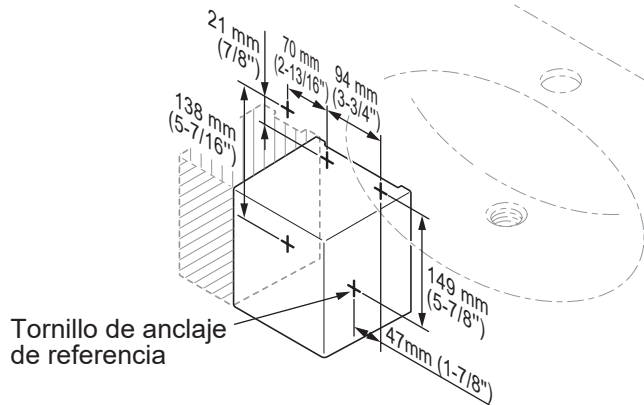
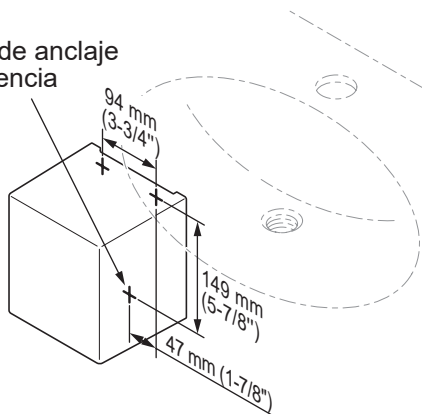
Decida cuál será la posición del anclaje del controlador y marque las posiciones de los orificios de los tornillos en la pared consultando el diagrama de dimensiones.

### [ Tipo de tanque de 3 l (0,8 gal) ]

### [ Tipo de tanque de 1 l (0,26 gal) ]

(Unidad: mm (pulgada))

Tornillo de anclaje de referencia



## Instalación del controlador en una pared con azulejos o de concreto

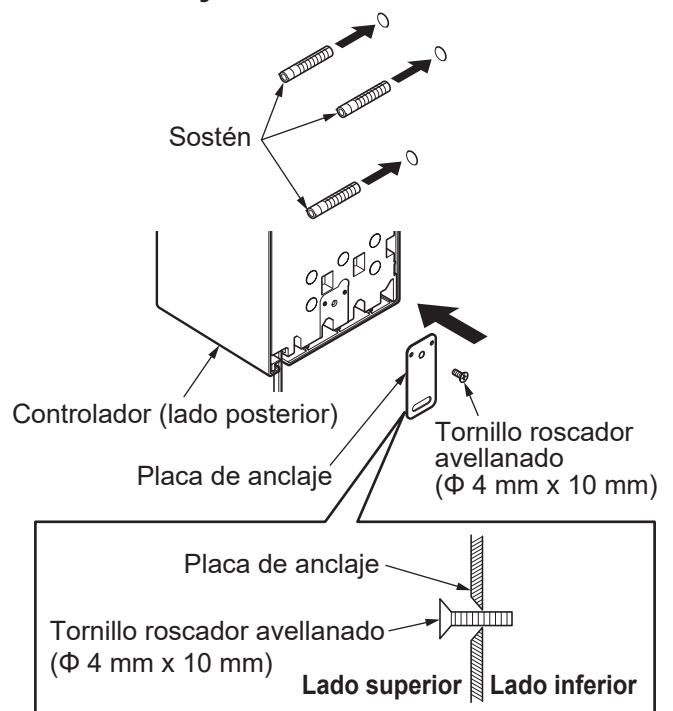
1. Perfore un orificio preliminar en la posición del orificio del tornillo y coloque el taco de fijación (consígalo en el lugar de la obra).

\* Consiga un taco de fijación que coincida con el tornillo ( $\Phi$  5,1 mm x 32 mm).

2. Ancle la placa de anclaje inferior al controlador con un tornillo roscador avellanado.

### Precaución

- No ajuste los tornillos con un desarmador eléctrico. Estos se deben ajustar a mano.
- Ponga atención para no confundir el lado superior con el inferior de la placa de anclaje.

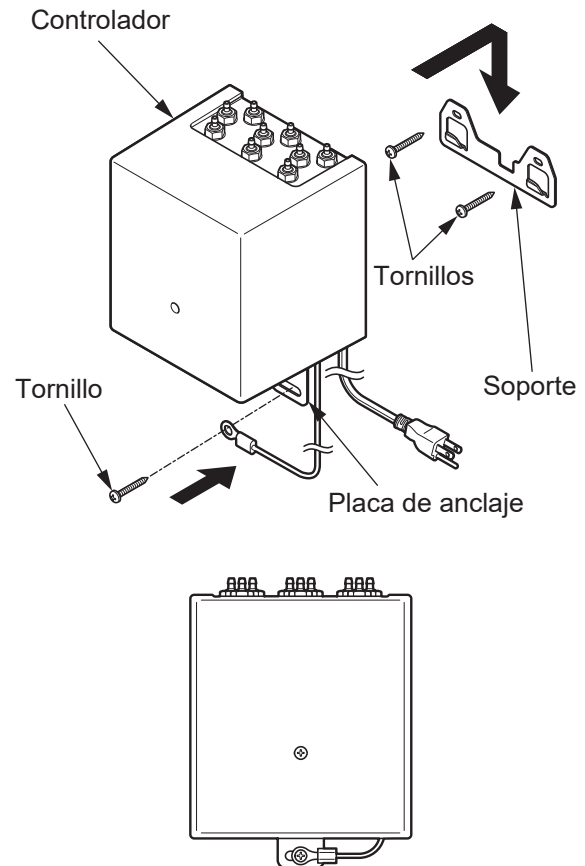


## PROCEDIMIENTO DE INSTALACIÓN: controlador (continuación)

- Coloque y ancle el soporte con dos tornillos.
- Cuelgue el controlador en el soporte y coloque la placa de anclaje inferior con un tornillo.  
\* Inserte el cable a tierra con el soporte y áncelos con el tornillo.

### Instalación del controlador en una pared de madera o panel de yeso.

Confirme que la pared de madera tiene una estructura que pueda soportar el peso (4,41lb) del controlador (tipo triple). (En el caso de tablaroca, para sostener el controlador asegúrese de que la base de la tablaroca tenga un ancho mayor de 13 mm (1/2")). Coloque el soporte con dos tornillos y ancle la placa de anclaje con un tornillo. Refuerce la estructura de la pared tanto como sea necesario.



### Precaución

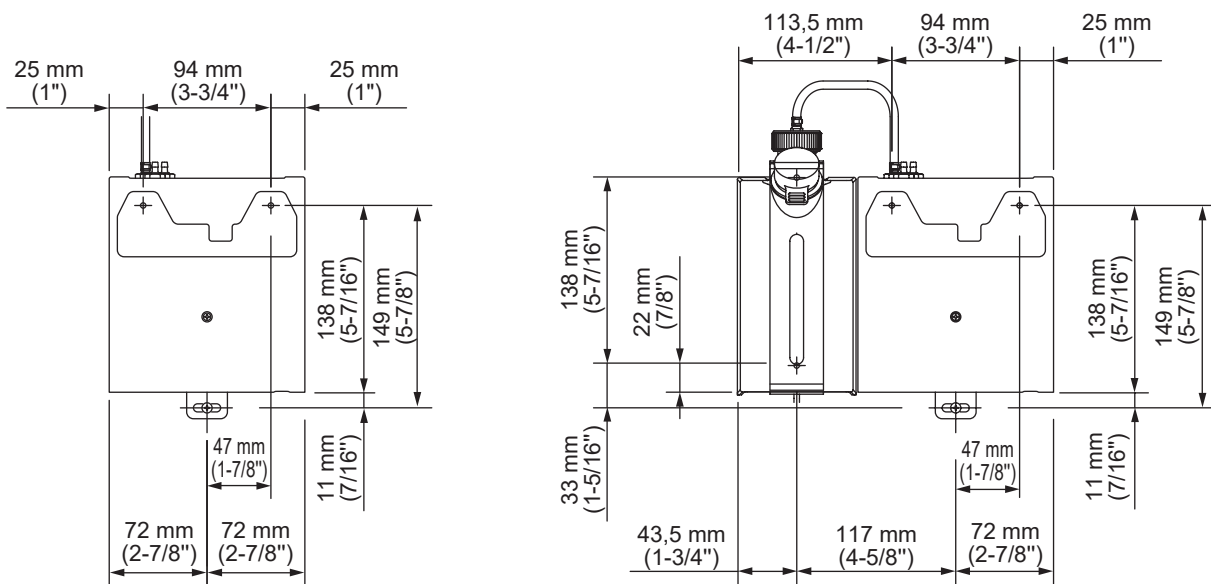
- Instale el cuerpo de la unidad de manera horizontal.
- Ponga atención de no perforar el cable ni haga contacto con los bordes.

### Dimensiones

[ Tipo de tanque de 3 l (0,8 gal)]

[ Tipo de tanque de 1 l (0,26 gal)]

(Unidad: mm (pulgada))



## PROCEDIMIENTO DE INSTALACIÓN: tanque

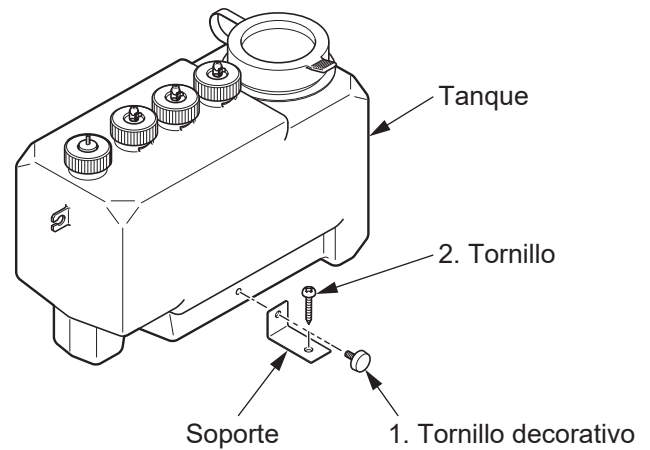
### [Tipo de tanque de 3 l (0,8 gal)]

Uso del soporte para anclar el tanque al piso.

1. Ancle el tanque y los soportes con los tornillos decorativos que se deben ajustar a mano.
2. Instale el tanque en el piso con el tornillo.

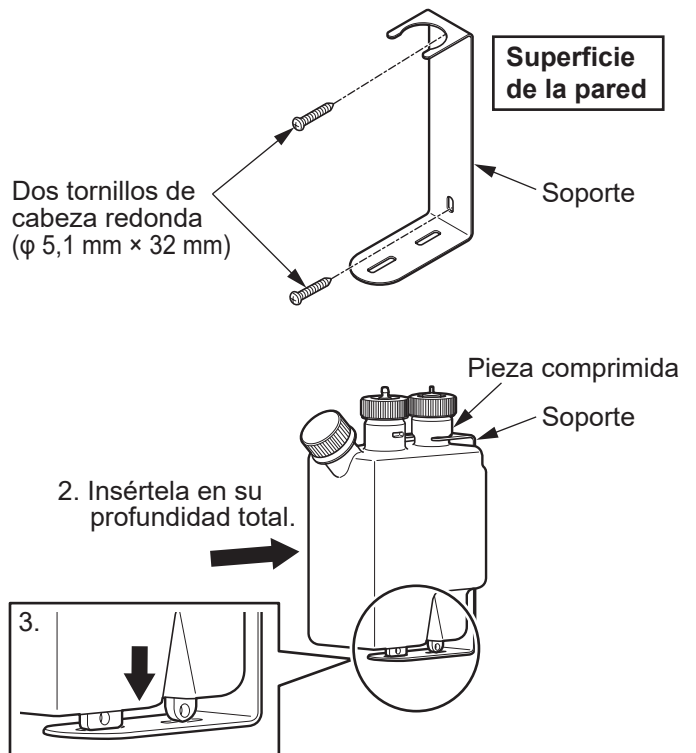
#### Nota

Si el piso es de concreto, empotre primero los tacos de fijación.



### [Tipo de tanque de 1 l (0,26 gal) (pedido especial)]

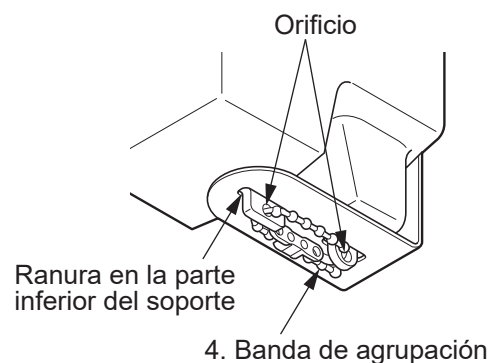
1. Ancle el soporte con el tornillo de cabeza redonda incluido.
2. Pase la pieza comprimida del tanque entre el soporte e insértela en su profundidad total.
3. Inserte el tanque en la ranura de la superficie inferior del soporte y páselo por los dos orificios.



4. Colocación de la banda de agrupación.

\* La banda de agrupación sirve para evitar que el tanque se caiga si este choca con algún objeto.

Si el tanque se instala detrás de una pared, no es necesario colocar la banda de agrupación.



# PROCEDIMIENTO DE INSTALACIÓN: conexión de las mangueras y los cables

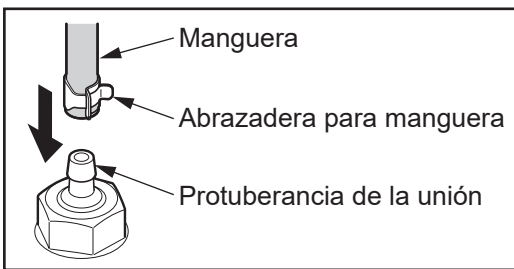
## Conexiones de la manguera

1. Corte las mangueras a una longitud adecuada, de modo que alcance la pieza conectada.  
(Entre los boquillas y el controlador)  
(Entre el controlador y el tanque)

### Precaución

Con un cúter, corte las mangueras de modo que la superficie de corte sea vertical.

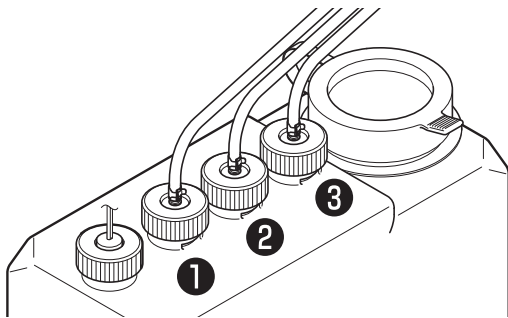
2. Inserte la manguera totalmente en el controlador y coloque la abrazadera de la manguera en la protuberancia de la unión para anclar la manguera de manera segura.



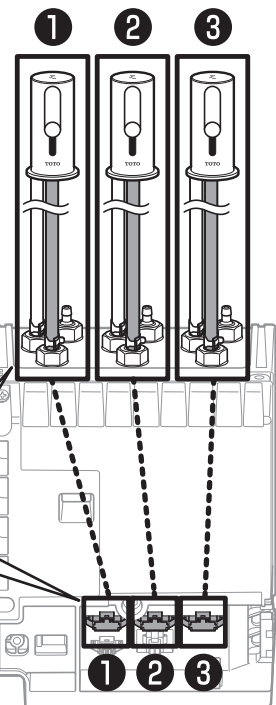
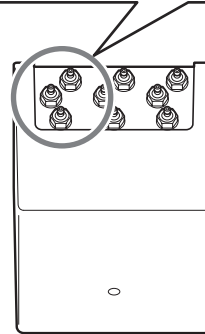
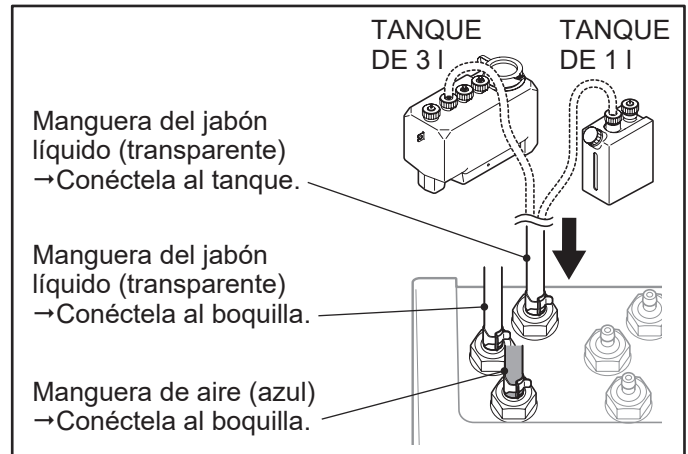
### Precaución

- Conecte las mangueras y los sensores en los pares predeterminados.
- Cuando inserte las mangueras, preste atención para no ejercer mucha fuerza en la unión del tanque.
- Preste atención para no doblar las mangueras.

## [Lado del tanque]



## [Lado del controlador]



- \* Conecte el tipo simple solo a ①.  
(El sensor no funciona en ninguna otra posición).
- \* Conecte el tipo doble a ① y ②.  
(③ no funciona).



## PROCEDIMIENTO DE INSTALACIÓN: conexión de las mangueras y los cables (continuación)

### Conexiones del conector

Retire la cubierta del controlador y conecte el conector del sensor al conector del interruptor de flotador.

Conecte el conector del sensor y la manguera en las posiciones indicadas.

### Para instalación simple

Haga la conexión en un lugar.

El conector ① (blanco) es solo para sensores

### Para instalación doble

Haga la conexión en dos lugares.

Los conectores ① (blanco) y ② (amarillo) son para el sensor.

### Para instalación triple

Haga la conexión en tres lugares.

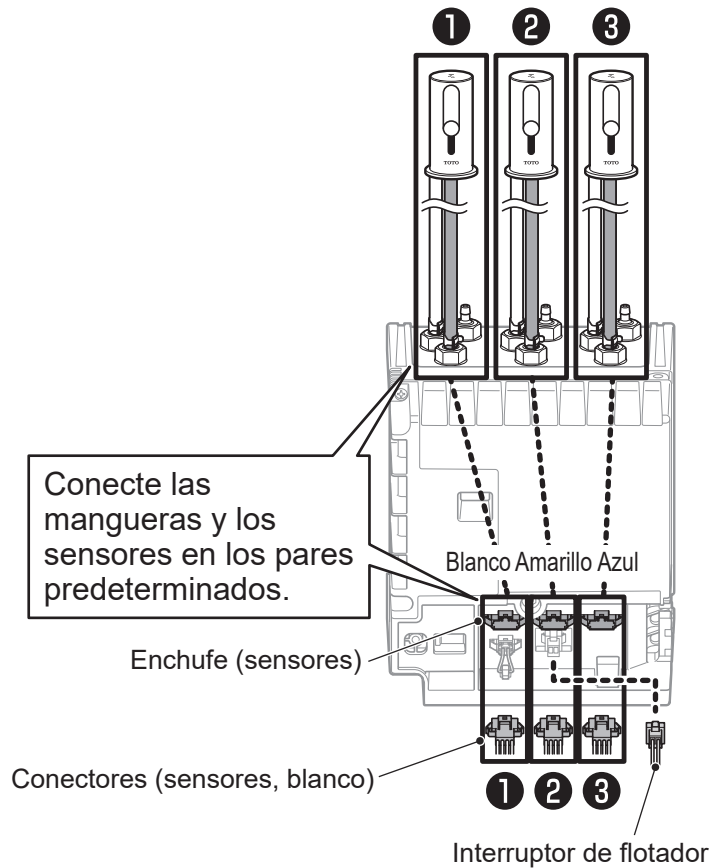
Los conectores ① (blanco), ② (amarillo) y ③ (azul) son para el sensor.

### Precaución

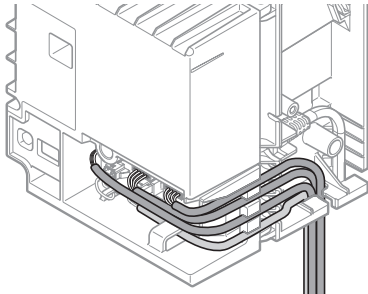
Todos los conectores de los sensores conectados al boquilla son blancos.

Los colores de los conectores dispuestos en el controlador son blanco, amarillo y azul.

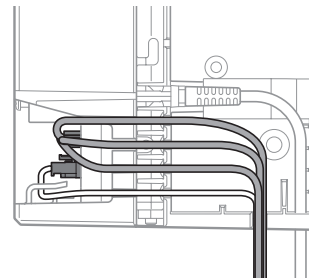
Se pueden conectar diferentes colores.



### Imagen del cableado

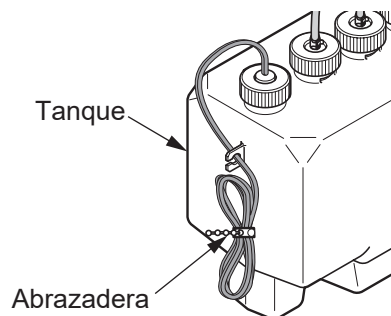


### Cara lateral (vista del cableado)



### Cómo envolver el cable del interruptor de nivel

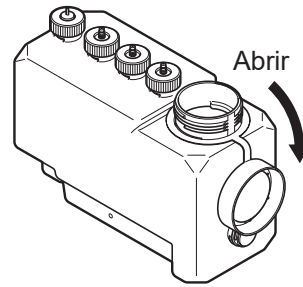
Con las abrazaderas, coloque y junte los cables.





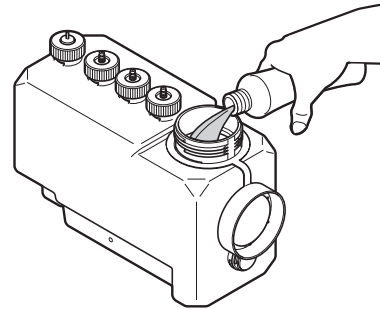
## PROCEDIMIENTO DE INSTALACIÓN: llenado del jabón líquido

1. Retire la tapa del tanque.



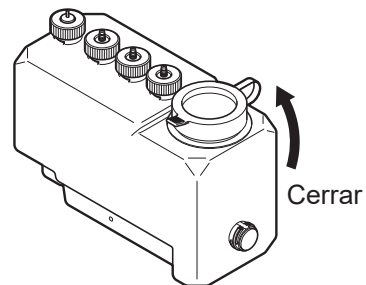
2. Vierta lentamente el jabón líquido en el tanque de retención.

Ponga atención al nivel mientras vierte el jabón líquido lentamente de modo que no se haga espumoso.

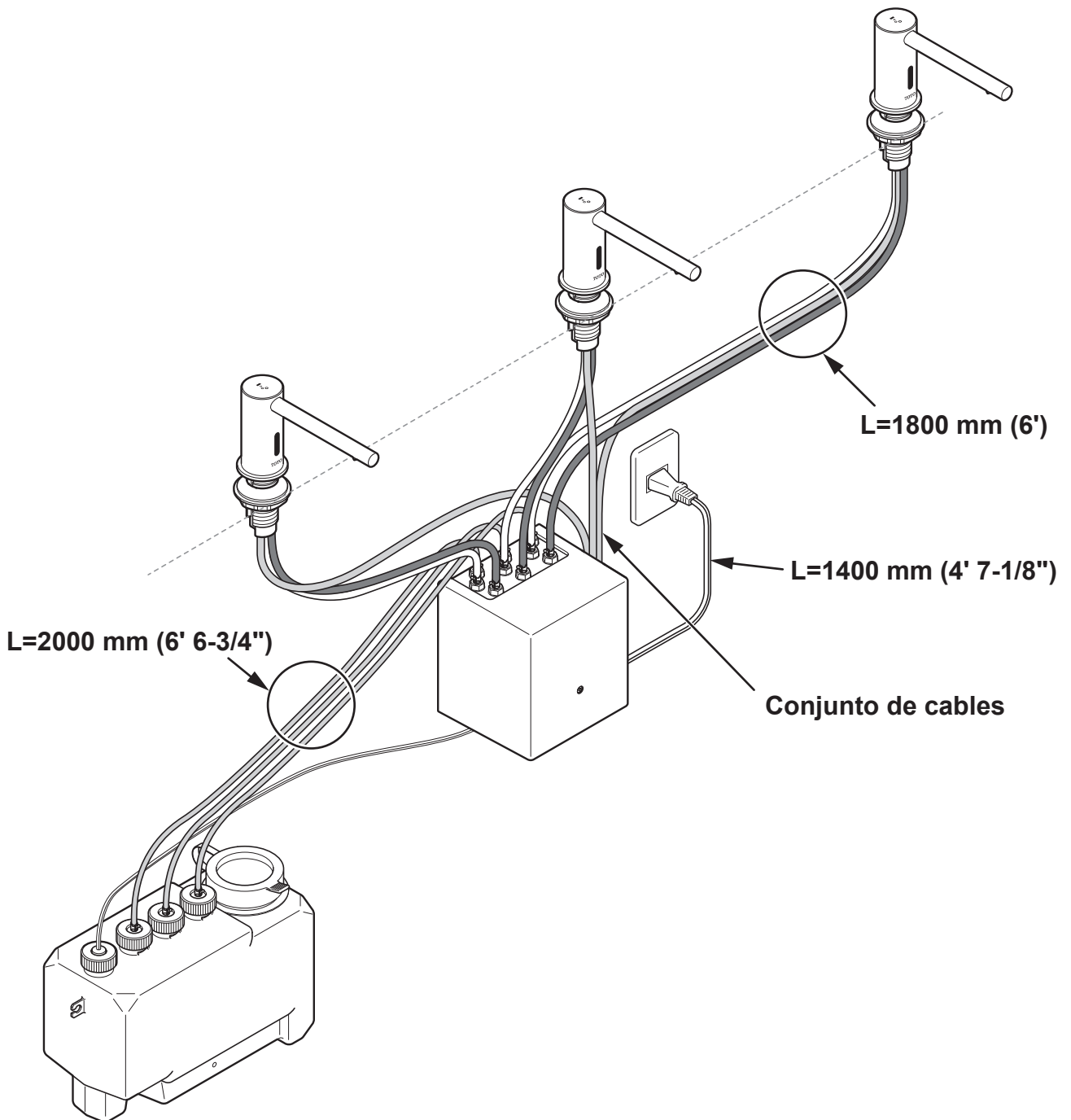


3. Cierre firmemente la tapa del tanque.

Asegúrese de que la tapa esté firmemente en su lugar después de llenar el tanque.



## Diagrama de finalización de la instalación



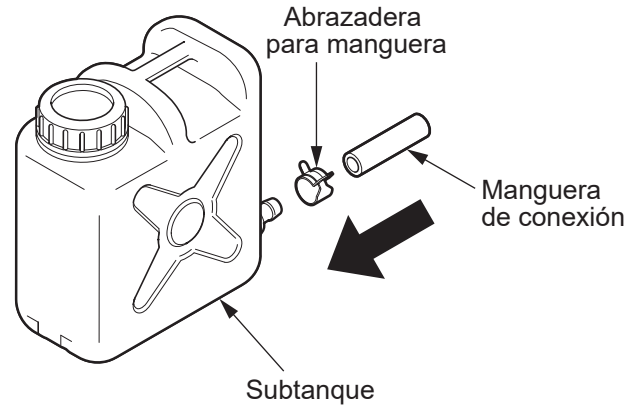
## PROCEDIMIENTO DE INSTALACIÓN: unidad del subtanque

1. Conecte la manguera al subtanque.

\* Utilice la manguera de conexión para conectar el tanque y haga un corte del largo deseado para colocarla entre el subtanque y el tanque.

### Precaución

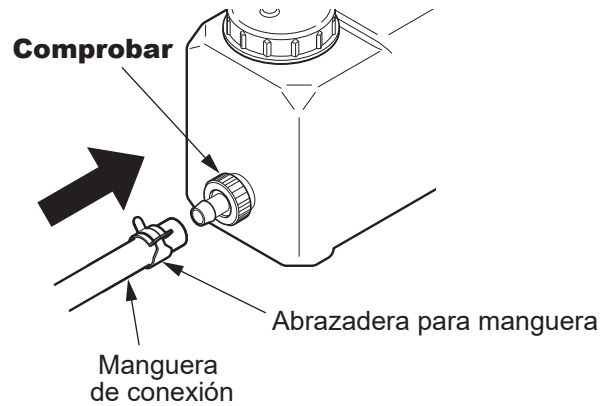
- No enrosque ni doble de manera excesiva la manguera.
- Verifique que todas las tuercas de la tapa estén ajustadas. Si están sueltas se filtrarán líquidos. Verifíquelas periódicamente.



2. Conecte un extremo de la manguera de conexión a la tapa de acoplamiento en el lado del tanque.

### Precaución

Asegúrese de ajustar la conexión de la manguera con la abrazadera para fijarla en su lugar.



3. Conecte la manguera de deflación de aire.

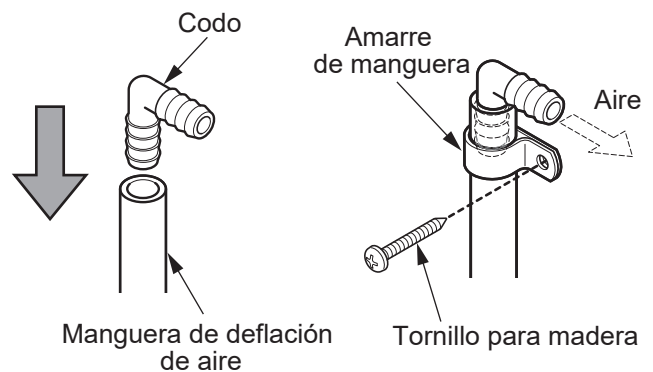
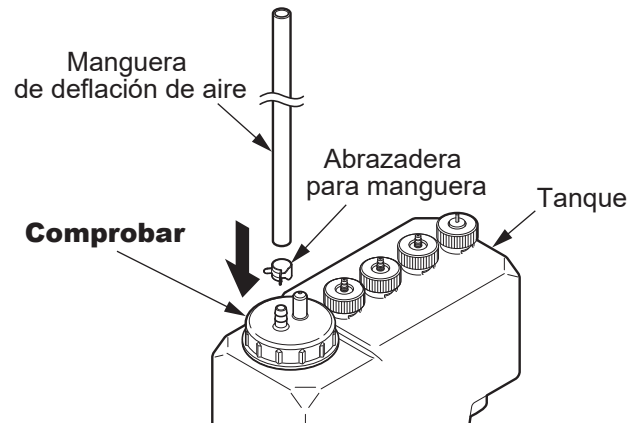
### Precaución

Asegúrese de ajustar la manguera de deflación de aire de manera segura con la abrazadera.

4. Coloque el codo al extremo frontal de la manguera de deflación de aire y sujételo a la pared con el amarre de la manguera y el tornillo para madera.

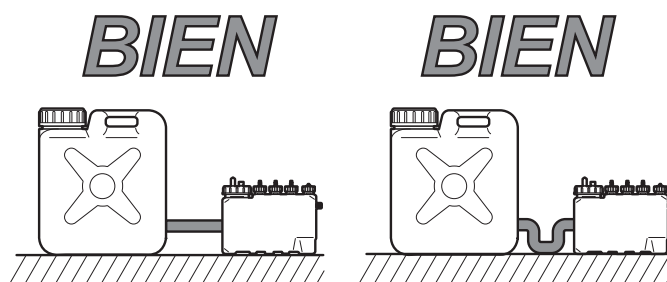
\* No bloquee el codo. Es el punto de purga de aire para el sistema. El jabón no fluirá adecuadamente si el codo está bloqueado.

- Asegúrese de instalar el codo **entre la parte superior del subtanque y de la encimera**. Cuando el codo se instala a una altura inferior que la del subtanque, el jabón se desborda.
- Asegúrese de que el amarre de la manguera esté bien posicionado con la manguera de deflación de aire y el codo.

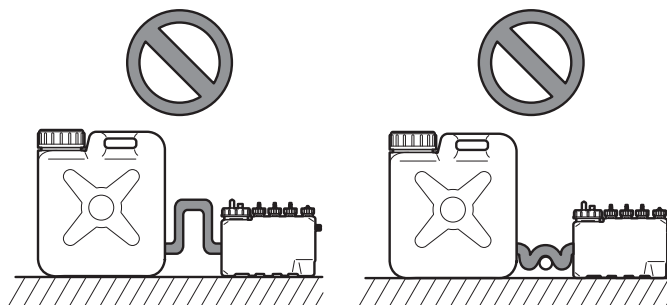


## PROCEDIMIENTO DE INSTALACIÓN: unidad del subtanque (continuación)

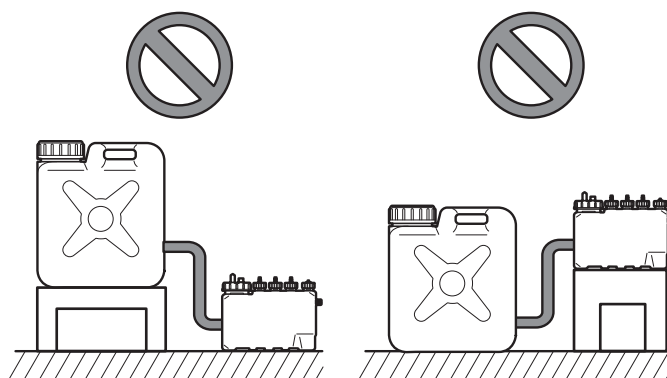
- El largo total de la manguera de conexión es 5 m (16' 4-7/8").  
Para garantizar un rendimiento de suministro suficiente, no utilice una manguera con un largo mayor a 5 m (16' 4-7/8").  
Instale la manguera de manera horizontal.  
(Está bien si la coloca sobre el piso).



- Instale la manguera en línea recta.  
Una manguera doblada impedirá el flujo del jabón líquido.



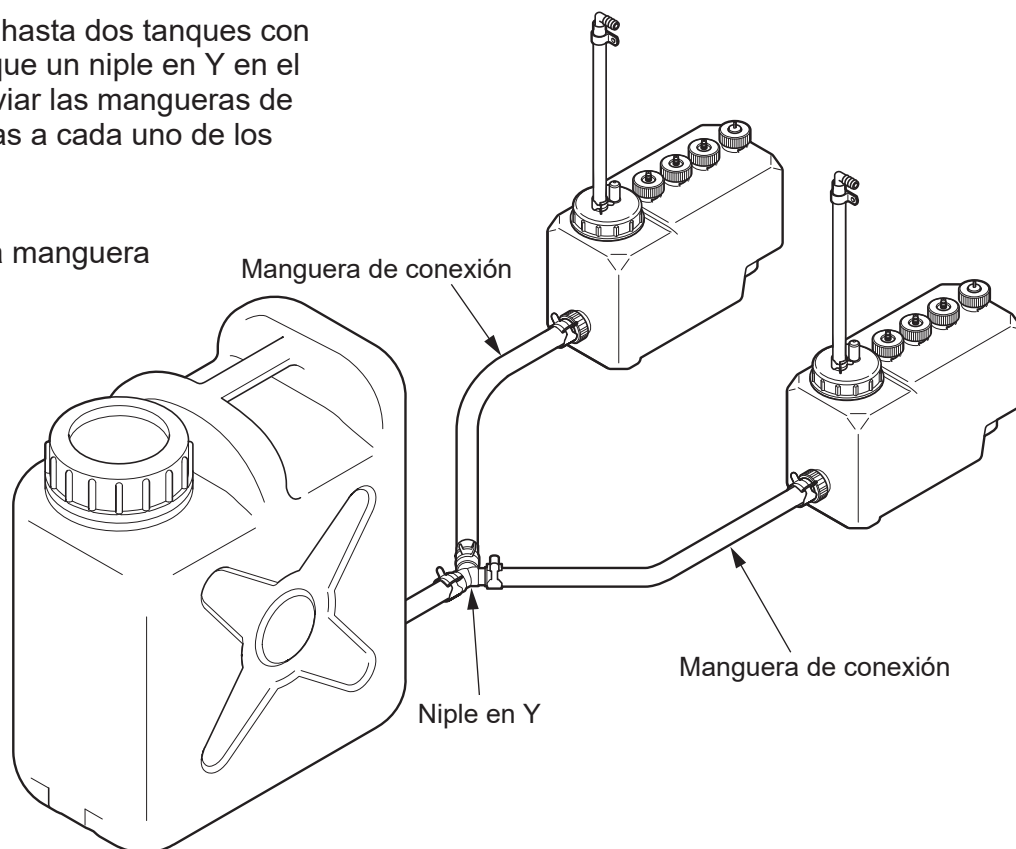
- Posicione los tanques sobre una superficie plana a una altura pareja. Si instala los tanques en diferentes niveles, se pueden producir los siguientes desperfectos:
  - Filtración del jabón desde el tanque que se encuentre en un nivel inferior.
  - Detección inadecuada del nivel del jabón líquido en el tanque que se encuentre en un nivel superior.



- Se pueden conectar hasta dos tanques con un subtanque. Coloque un niple en Y en el subtanque para desviar las mangueras de conexión y conéctelas a cada uno de los tanques.

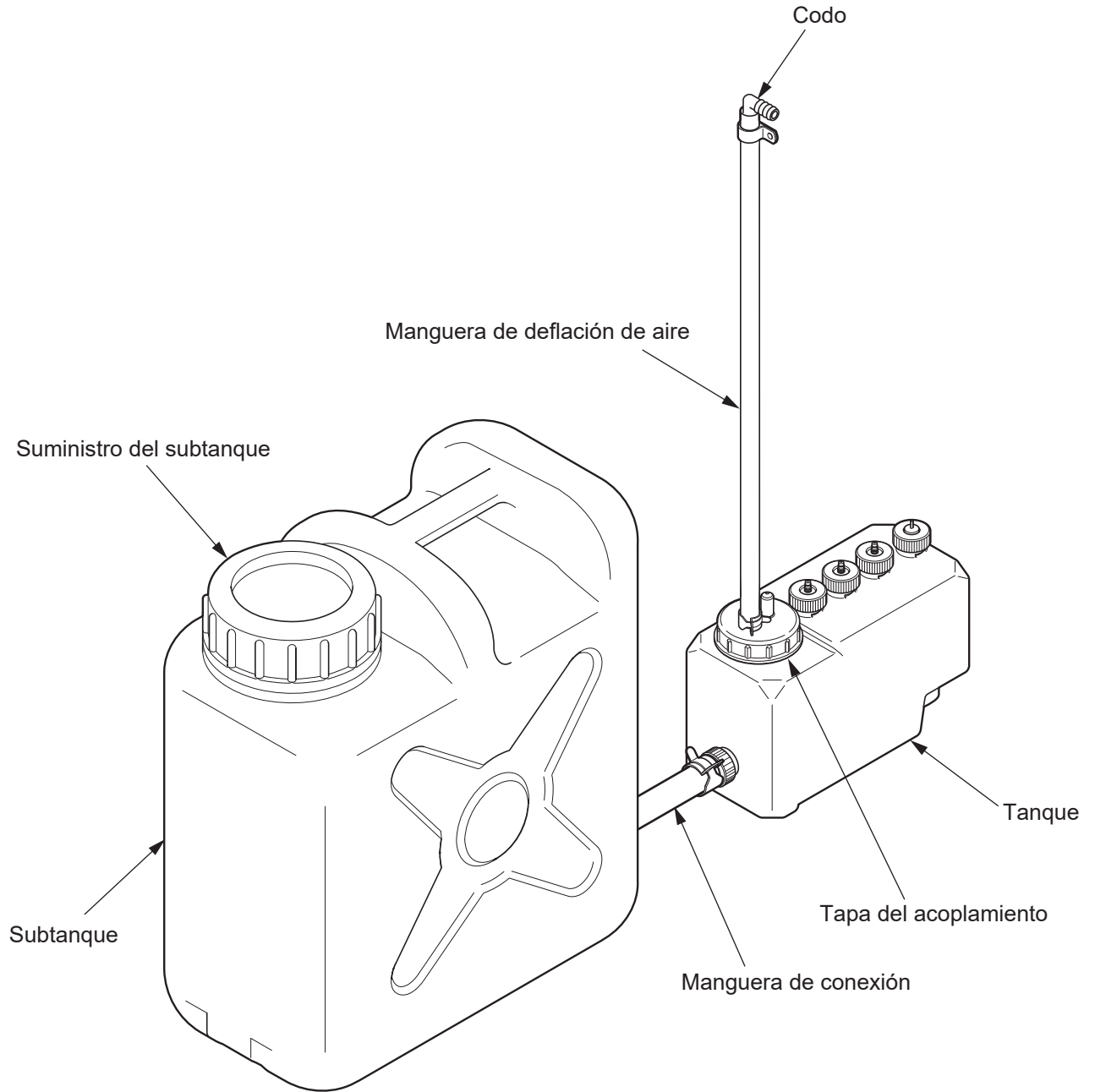
### Nota

Longitud máxima de la manguera de 5 m (16' 4-7/8")



## Diagrama de finalización de la instalación

ESPAÑOL



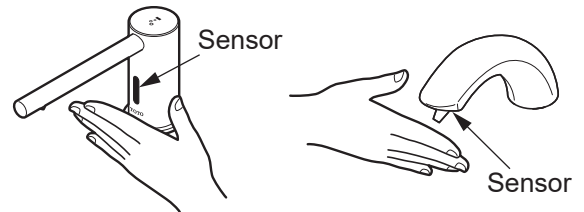
## PRUEBAS

Después de finalizar la instalación, confirme que el dispensador esté funcionando adecuadamente con el siguiente método.

### Revisión después de finalizar la instalación

Después de terminar la instalación, pruebe el producto con el siguiente procedimiento.

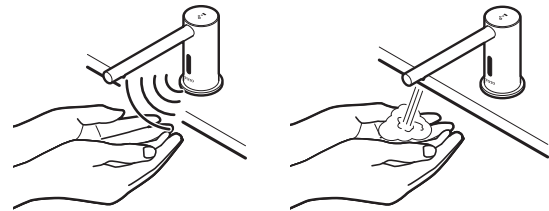
1. Cambie el modo al de verificación de la instalación.  
Cuando coloca la mano debajo el sensor durante aproximadamente 8 segundos durante los primeros 10 minutos después de que se haya encendido, el modo cambia a "Modo de instalación". Durante la detección, la bomba del jabón líquido se activa y el jabón líquido sigue saliendo. (30 segundos como máximo). El jabón líquido detiene su flujo cuando su mano se aleja del sensor.  
Utilice esta función para llenar un conducto vacío con jabón líquido.



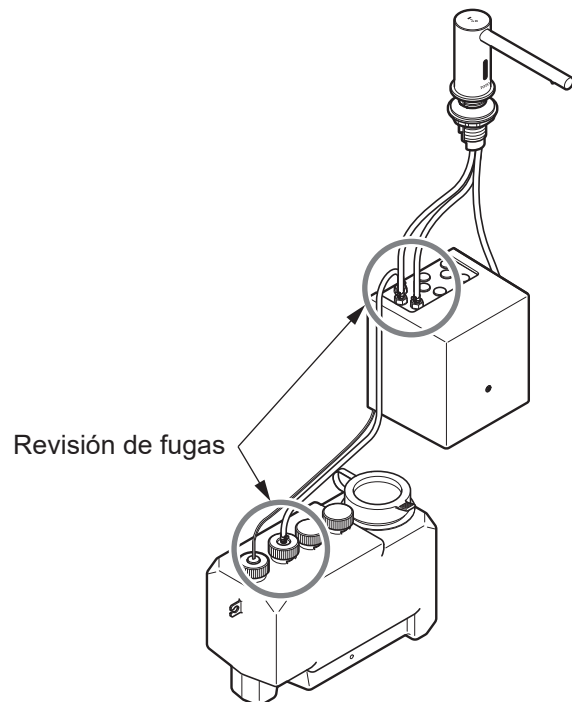
### Precaución

- Si pasan más de 10 minutos desde que se encendió, retire el enchufe y colóquelo nuevamente.
- Cuando desconecte y vuelva a conectar el enchufe, retírelo y déjelo desconectado durante más de 10 segundos.

2. Dispense el jabón líquido y detenga el flujo.
  - El jabón líquido sale cuando coloca la mano debajo del sensor.
  - El jabón líquido detiene su flujo cuando la mano se aleja del sensor.



3. Verifique el tanque y la conexión de la manguera de jabón líquido para detectar filtraciones de jabón líquido.



### Precaución

Si el producto no se utiliza durante un período prolongado después de la instalación, el jabón líquido restante en la manguera se seca y se dispensa de manera deficiente. Por lo tanto, realice la **prueba con agua**.

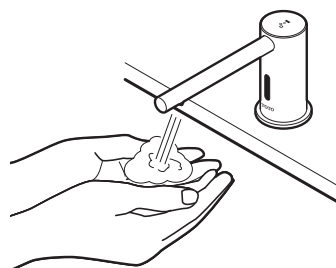
Después de la prueba, deje el agua acumulada en el tanque que quede y reemplácela con jabón líquido al principio del uso real.

### Coloque las manos debajo de la boquilla del dispensador.

- Cuando el sensor detecta las manos, dispensa un jabón líquido en espuma.
  - El tiempo para dispensarlo es de aproximadamente 0,5 segundos.
  - El dispensador detiene su flujo cuando se aleja la mano del dispensador.
  - Si las manos permanecen frente al dispensador, el jabón líquido en espuma se dispensará nuevamente después de un período de retardo de aproximadamente 3 segundos. Este proceso se puede repetir hasta tres veces.
  - Para evitar el mal uso, el dispensador de jabón líquido detendrá su flujo después de 3 veces pero es posible dispensar el jabón nuevamente alejando las manos y colocándolas frente al dispensador otra vez.
- \* Esta función no está disponible durante los primeros 10 minutos después del encendido. (Consulte la página 43 "Modo de instalación").

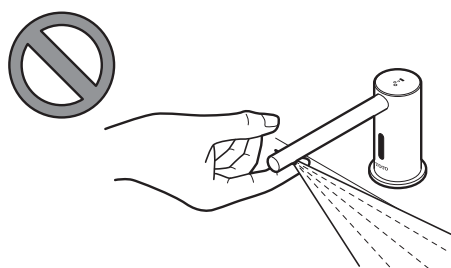


Boquilla del dispensador



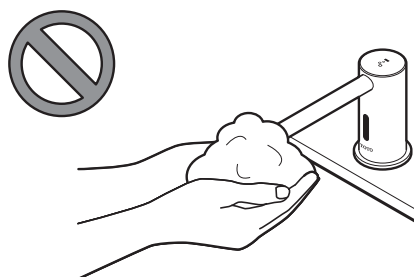
### No obstruya la apertura de la boquilla del dispensador.

El jabón podría salir arrojado en una dirección inesperada.



### No coloque espuma en la punta del dispensador. Si se bloquea el sensor, se podría producir un mal funcionamiento.

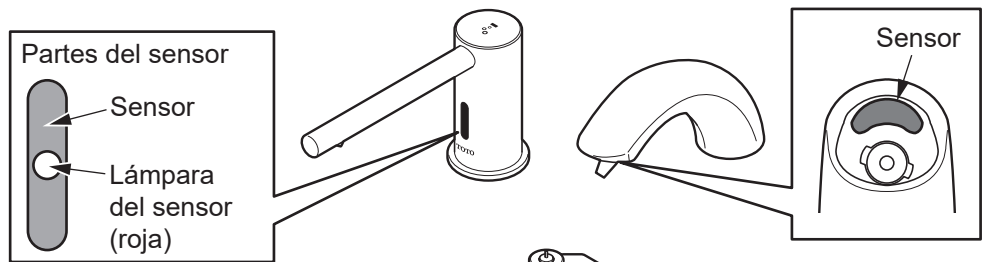
Cuando la punta esté bloqueada, limpie los residuos con un paño húmedo.



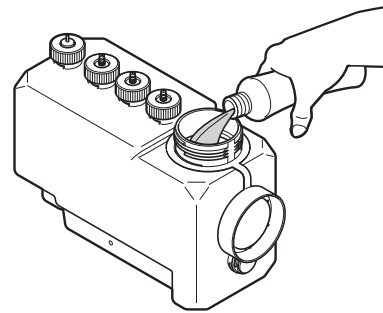
## RECARGA DEL TANQUE

Recargue el tanque con jabón líquido cuando la lámpara del sensor interno (roja) comience a parpadear.

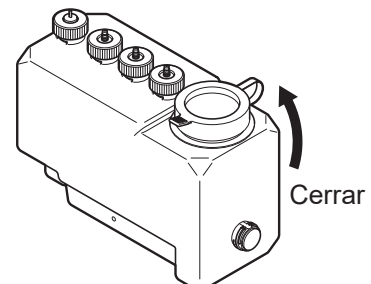
1. Retire la tapa del tanque.



2. Vierta lentamente el jabón líquido en el tanque de retención.  
Ponga atención al nivel mientras vierte el jabón líquido lentamente de modo que no se haga espumoso. Vierta el jabón líquido a través del filtro incorporado.



3. Cierre firmemente la tapa del tanque.  
Asegúrese de que la tapa esté firmemente en su lugar después de llenar el tanque.



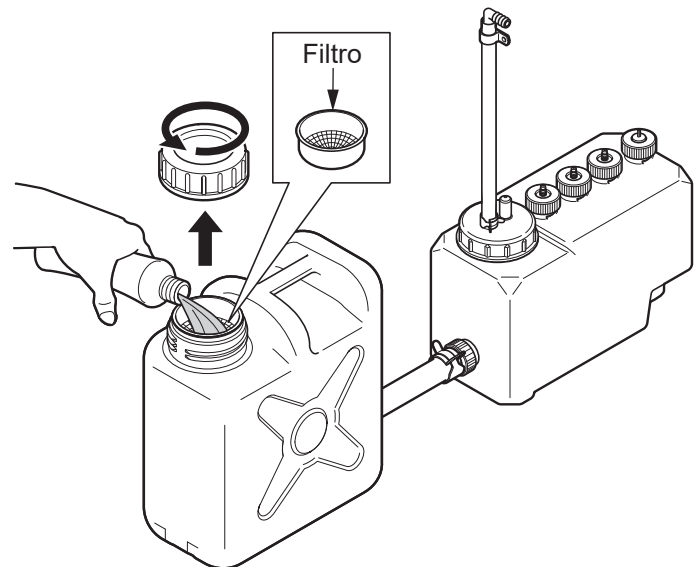
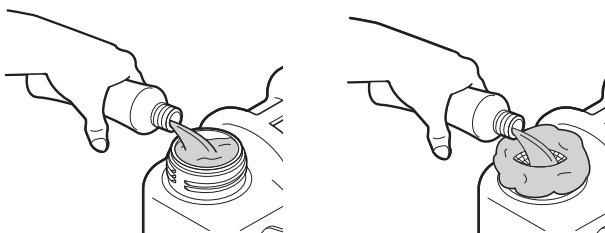
Llenado el subtanque (solo si se ha instalado un subtanque)

Cuando se ha instalado un subtanque, llénelo con el jabón líquido desde la apertura.

### Nota

Vierte el jabón lentamente para evitar burbujas en el tanque.

- Si el jabón se drena lentamente en el tanque o se producen burbujas de manera excesiva, limpie el filtro y el área de la cubierta.



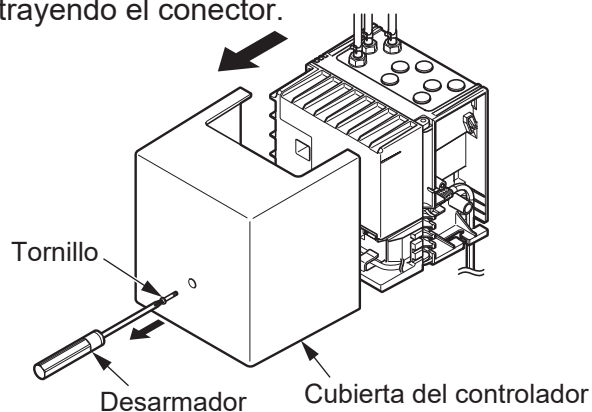


## AJUSTE DE MODO

### Ajuste del volumen de jabón líquido dispensado

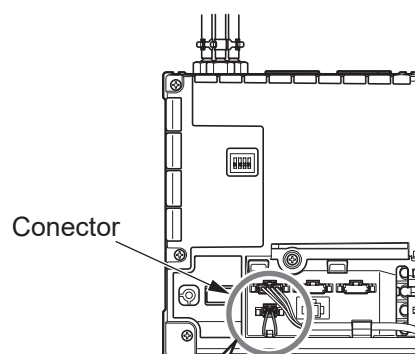
El volumen de jabón líquido dispensado se ha ajustado en 1,2 ml (0,04 fl. oz) antes del envío desde la fábrica. Este volumen se puede cambiar a 2 ml (0,06 fl. oz) extrayendo el conector.

1. Retire la cubierta del controlador.

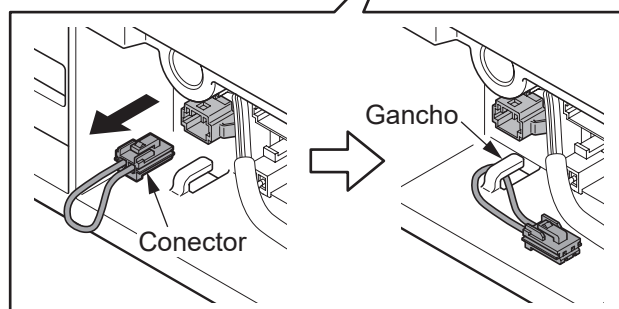


2. Extraiga el cable del conector del gancho.

3. Retire el conector.



4. Cuelgue el conector en el gancho.  
(Para evitar pérdidas).



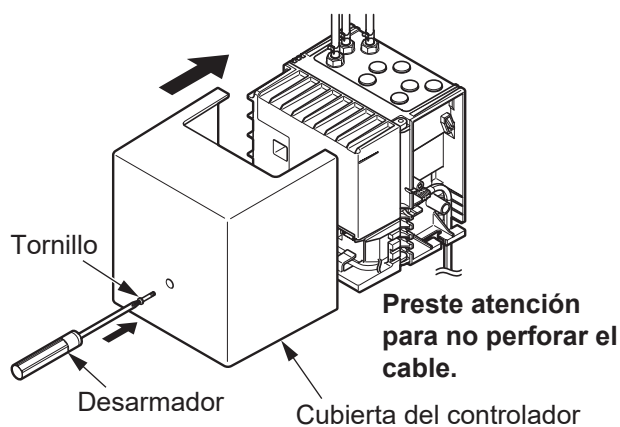
5. Coloque la cubierta del controlador.

#### Precaución

Ajuste los tornillos de manera segura.  
Si se derrama agua en el tanque, ésta puede penetrar en el controlador y producir daños.

#### Nota

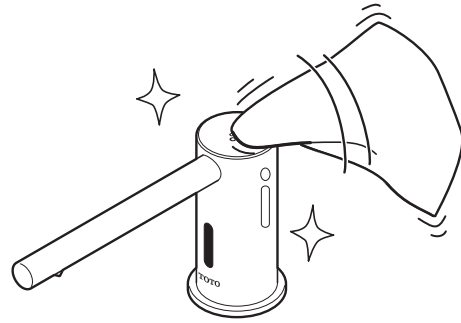
Si el conector se conecta nuevamente, el volumen de jabón líquido dispensado vuelve a ser de 1,2 ml (0,04 fl. oz).



## CUIDADO Y LIMPIEZA

### Para una limpieza ligera

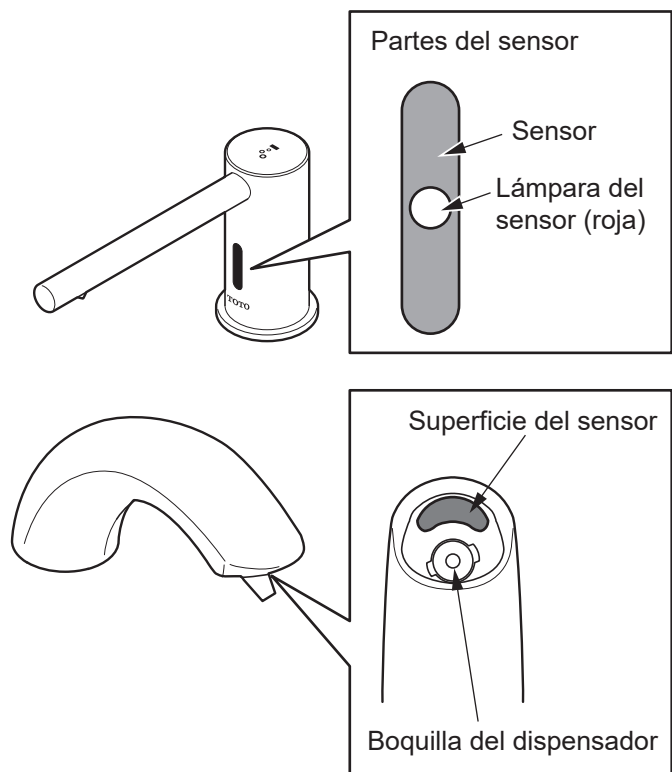
Utilice un paño húmedo con agua y limpie los residuos adheridos al dispensador o sensor.



### Para una limpieza profunda

Después de limpiar los residuos con un paño que contenga una cantidad adecuada de detergente lavavajillas neutro, limpie con un paño húmedo.

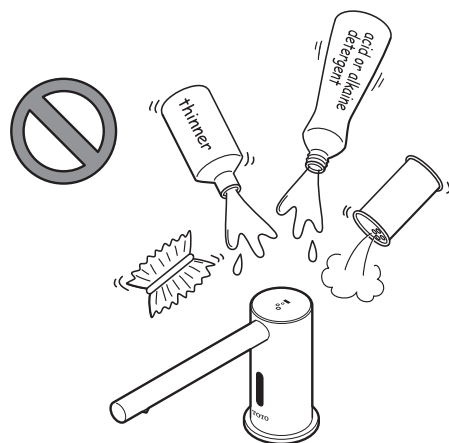
Cuando limpie alrededor del sensor, tenga cuidado de no rayar la superficie de éste.



Evite el uso limpiadores que puedan rayar la superficie del dispensador.

Estos incluyen los siguientes:

- Detergentes que contengan ácido, blanqueador de cloro o alcalino.
- Disolventes como tiner o benceno.
- Detergentes con gránulos abrasivos, polvo para pulir o limpiador. Estropajos de nailon, estropajos para ollas, cepillos, etc.



## MANTENIMIENTO PERIÓDICO: boquilla

[ Para el modelo TLK0700\*G ]

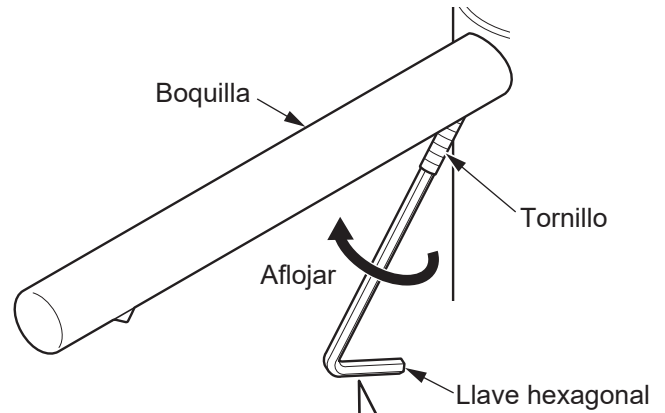
Limpie la boquilla periódicamente ya que el jabón no puede fluir si la boquilla está obstruida.

1. Desconéctelo de la toma de corriente.

2. Utilice la llave hexagonal incluida para aflojar suavemente y quite el tornillo.  
(Aproximadamente 7 vueltas de la llave hexagonal.)

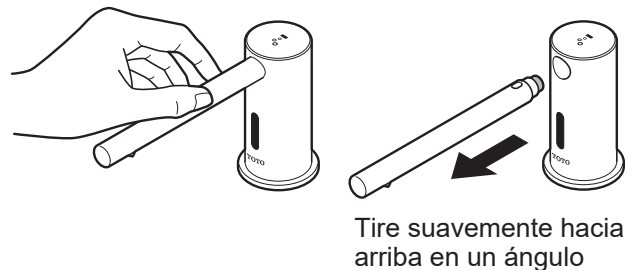
### Precaución

Si limpia la boquilla en un fregadero, asegúrese de cubrir el desagüe para evitar perder las piezas pequeñas.



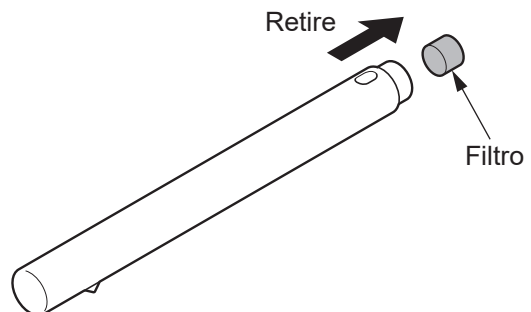
Asegúrese de insertar completamente la llave hexagonal antes de aflojar el tornillo. Si la llave hexagonal no se inserta correctamente, el casquillo del tornillo puede deformarse y quedar inutilizable.

3. Saque y retire la boquilla después de aflojar el tornillo.



4. Apriete el filtro y sáquelo de la boquilla.

5. Deje la boquilla y el filtro remojando en agua caliente por unos minutos.



### Nota

Esto facilita la eliminación de cualquier jabón que se haya adherido a la boquilla.

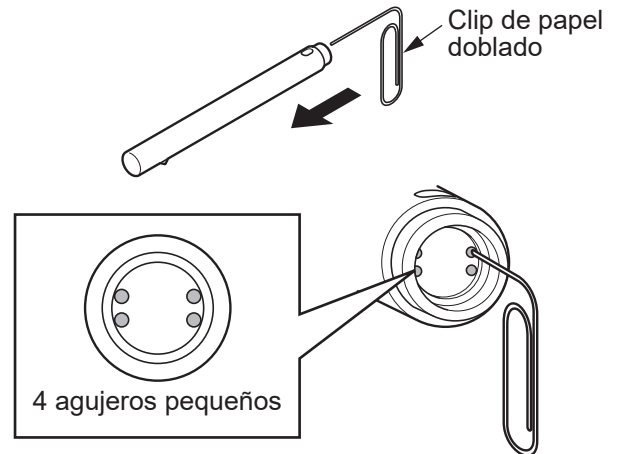
## MANTENIMIENTO PERIÓDICO: boquilla (continuación)

6. Retire el filtro del agua caliente y límpielo con un cepillo suave.

Enjuague el filtro y séquelo con un paño suave.



7. Retire la boquilla del agua caliente. Utilice un clip de papel doblado para quitar el jabón que obstruya los 4 orificios pequeños de la entrada de jabón.

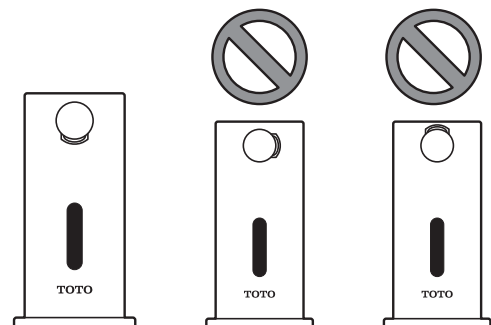


8. Coloque el filtro en la boquilla cuando la limpieza se haya completado. Utilice la llave hexagonal para asegurar la boquilla de nuevo en el surtidor con el tornillo.

Inserte la boquilla en el surtidor hasta que el orificio del tornillo quede oculto.

Asegúrese de que la boquilla esté completamente asegurada y no se salga.

### Cómo colocar la boquilla



### Precaución

Coloque siempre la boquilla **con la salida del despachador hacia abajo**.

De lo contrario, el jabón puede derramarse por todas partes.

### Nota

Active el despachador para verificar que no se produzcan fugas.

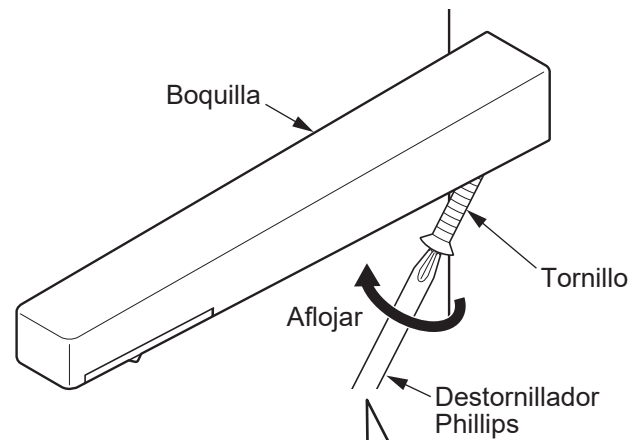


## MANTENIMIENTO PERIÓDICO: boquilla (continuación)

[ Para el modelo TLK0800\*G ]

Limpie la boquilla periódicamente ya que el jabón no puede fluir si la boquilla está obstruida.

1. Desconéctelo de la toma de corriente.
2. Utilice un destornillador Phillips para aflojar y quitar el tornillo.  
(Gire el destornillador unas 10 vueltas).

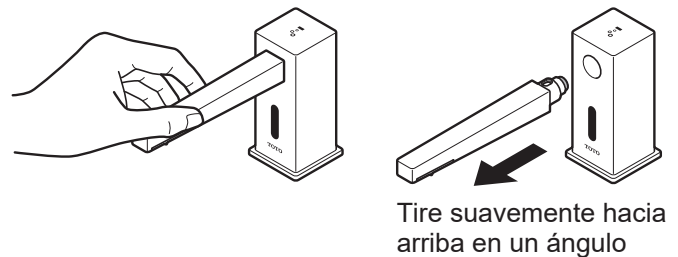


### Precaución

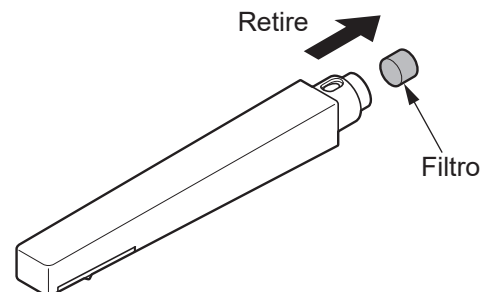
Si limpia la boquilla en un fregadero, asegúrese de cubrir el desagüe para evitar perder las piezas pequeñas.

Asegúrese de insertar completamente la punta del destornillador antes de aflojar el tornillo. Si el destornillador Phillips no se inserta correctamente, la cabeza del tornillo puede deformarse.

3. Cuando el tornillo esté completamente suelto, jale la boquilla para quitarla.



4. Apriete el filtro y sáquelo de la boquilla.
5. Deje la boquilla y el filtro remojando en agua caliente por unos minutos.



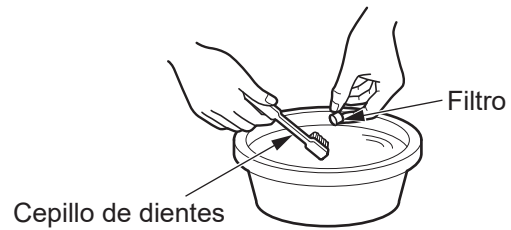
### Nota

Esto facilita la eliminación de cualquier jabón que se haya adherido a la boquilla.

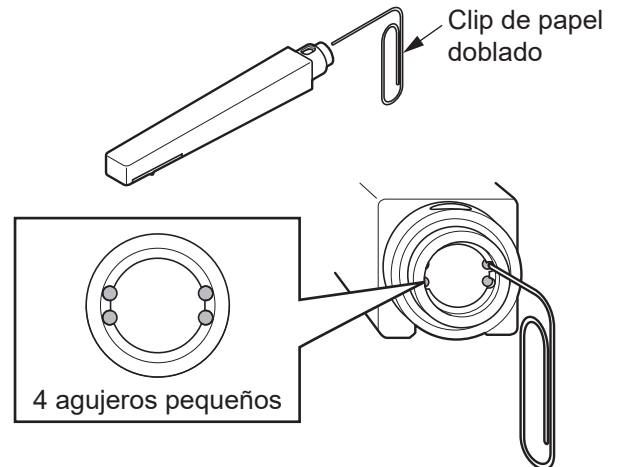
## MANTENIMIENTO PERIÓDICO: boquilla (continuación)

6. Retire el filtro del agua caliente y límpielo con un cepillo suave.

Enjuague el filtro y séquelo con un paño suave.

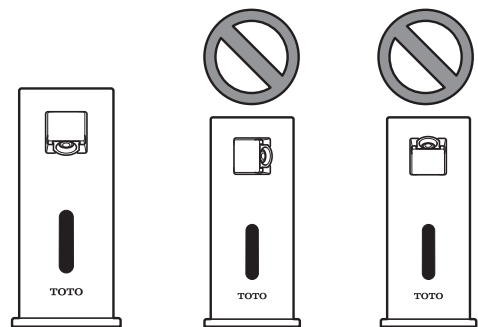


7. Retire la boquilla del agua caliente. Utilice un clip de papel doblado para quitar el jabón que obstruya los 4 orificios pequeños de la entrada de jabón.



8. Coloque el filtro en la boquilla cuando la limpieza se haya completado. Use un destornillador Phillips para asegurar la boquilla de nuevo en el surtidor con el tornillo.

### Cómo colocar la boquilla



### Precaución

Coloque siempre la boquilla **con la salida del despachador hacia abajo**.

De lo contrario, el jabón puede derramarse por todas partes.

### Nota

Active el despachador para verificar que no se produzcan fugas.



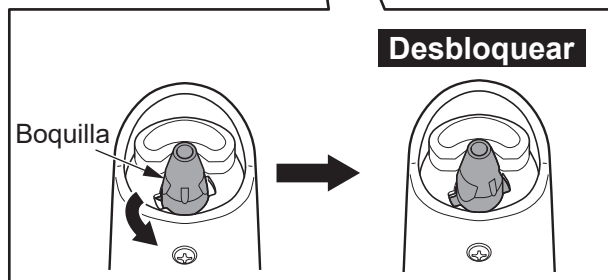
## MANTENIMIENTO PERIÓDICO: boquilla (continuación)

1. Retire el enchufe.

2. Gire la boquilla a mano para desbloquear.



3. Sujete la protuberancia en la boquilla con una herramienta, como alicates de punta larga y retire la boquilla y el filtro.



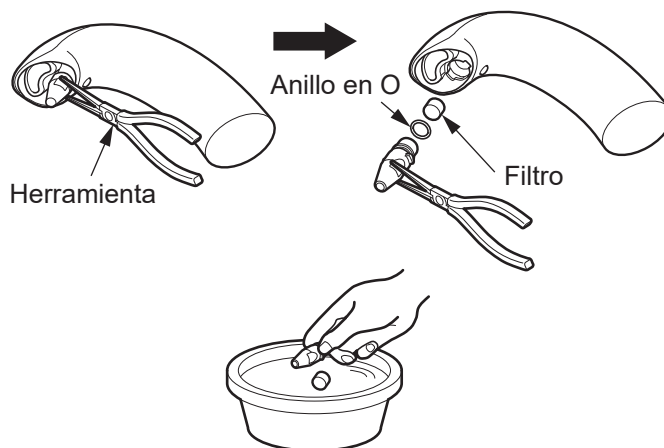
4. Limpie (lave con agua) la boquilla y el filtro.

### Precaución

Si lava la boquilla en un lavabo, bloquee la salida de drenaje. Esta pieza es pequeña y se puede perder.

### Nota

Después de lavarla con agua, seque la humedad con un paño suave seco. La suciedad se enjuaga con mayor facilidad si utiliza agua caliente para limpiar.



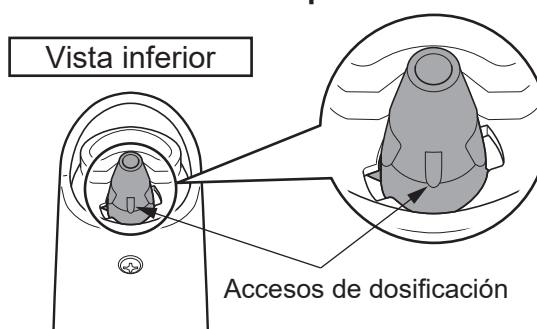
5. Después de lavar la boquilla y el filtro colóquelos nuevamente. Cuando coloque la boquilla, gírela a mano, de modo que se **bloquee con el orificio de dosificación hacia el lado inferior**.

\* La boquilla está diseñada para que no se inserte de modo inverso.

### Nota

Después de haber colocado la boquilla, utilice el jabón líquido y asegúrese de que el agua no se filtre desde fuera de la boquilla.

### • Colocación de la boquilla



\* Asegúrese de colocar la boquilla de modo que el orificio de dosificación esté hacia el lado inferior. De otro modo, se puede filtrar el líquido.

## MANTENIMIENTO PERIÓDICO: el interior del tanque

Para utilizar el producto cómodamente, limpie el interior del tanque siguiendo el procedimiento a continuación.

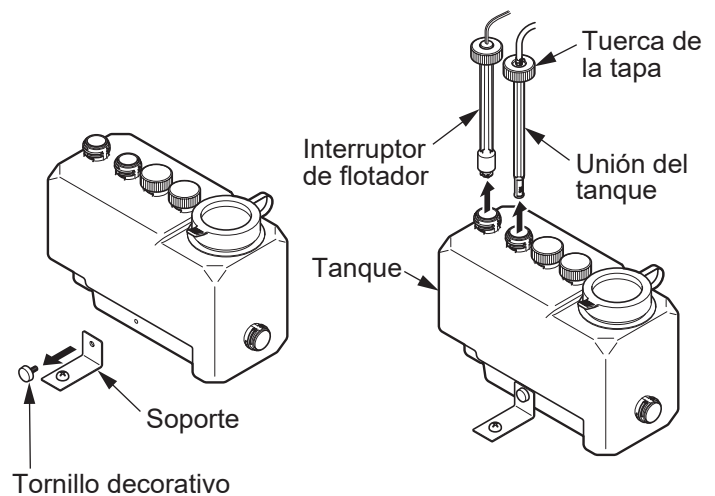
[Tipo de tanque de 3 l (0,8 gal)]

1. Retire del tanque la tuerca de la tapa y extraiga el interruptor de flotador y la unión del tanque.

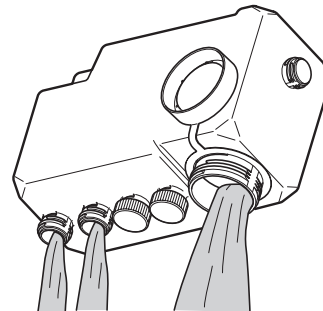
### Nota

Guarde el interruptor de flotador y la unión del tanque en una cubeta u objeto similar para evitar que se les adhiera polvo.

2. Retire el soporte.  
Si el tanque está anclado al piso o a la pared, gire el tornillo decorativo a mano y saque el tanque.



3. Lave el tanque.

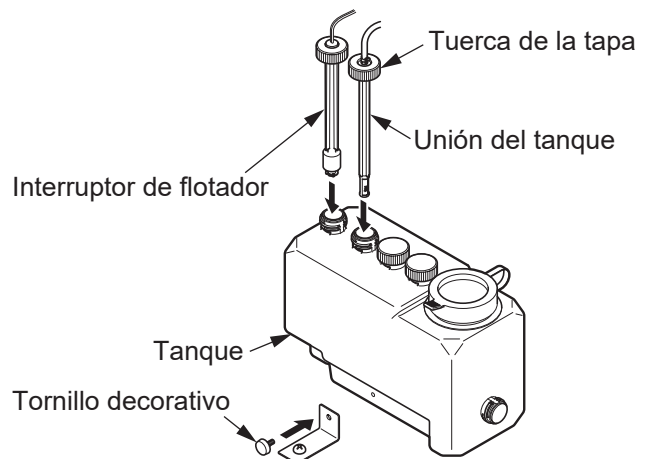


4. Coloque el tanque nuevamente en la posición original.
5. Coloque el interruptor de flotador y la unión del tanque nuevamente.

### Nota

Coloque la empaquetadura entre la unión del tanque y el tanque correctamente.

6. Coloque el tanque en el soporte para el anclaje.

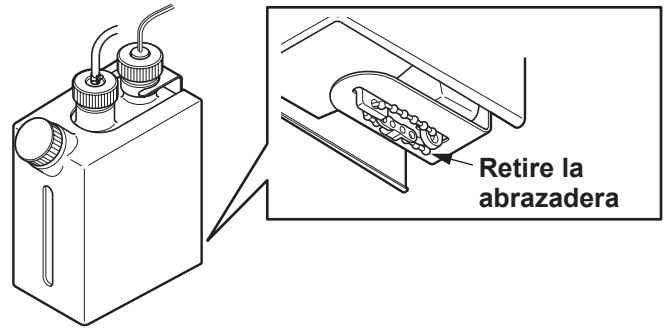




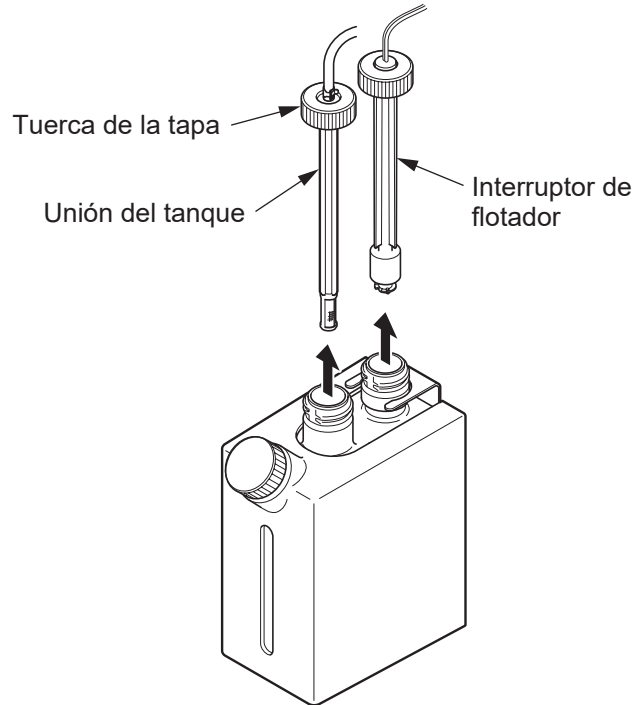
## MANTENIMIENTO PERIÓDICO: el interior del tanque (continuación)

### [Tipo de tanque de 1 l (0,26 gal) (pedido especial)]

1. Retire el soporte desde la parte inferior del tanque.

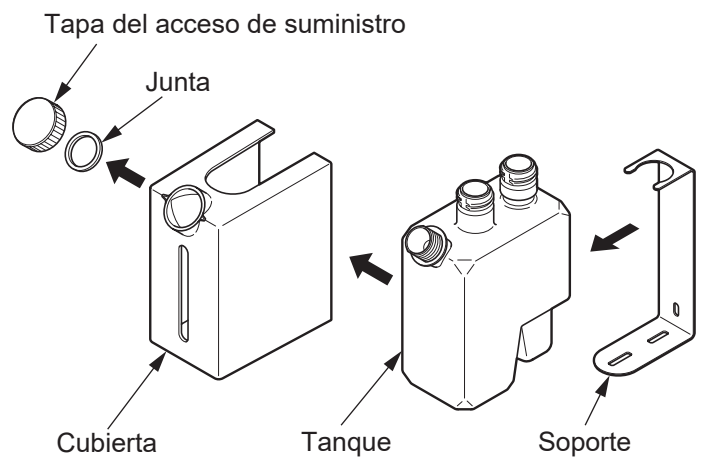


2. Retire la tuerca de la tapa y extraiga el interruptor de flotador y la unión del tanque.



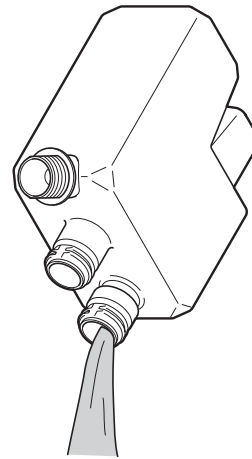
3. Retire la tapa del acceso de suministro y la junta.

4. Retire la cubierta y saque el tanque del soporte.



## MANTENIMIENTO PERIÓDICO: el interior del tanque (continuación)

5. Lave el tanque.

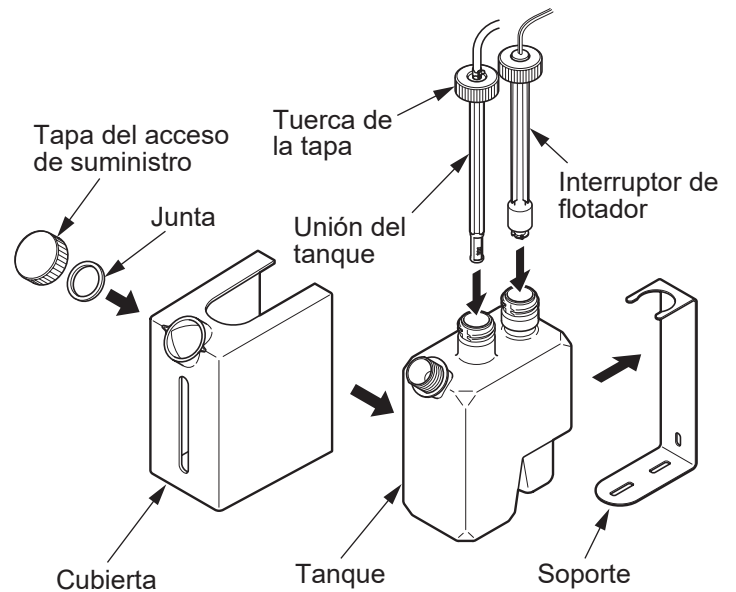


6. Coloque el tanque nuevamente en la posición original.

7. Coloque el interruptor de flotador y la unión del tanque.

8. Coloque la cubierta, la junta y la tapa del acceso de suministro.

9. Coloque el soporte desde la parte inferior del tanque.



### Una vez al mes

Verifique todas las conexiones de los tubos para detectar signos de filtración.

### Dos veces al año

Verifique todas las conexiones fijas y ajuste según sea necesario.

## FALTA DE USO DURANTE PERÍODOS PROLONGADOS

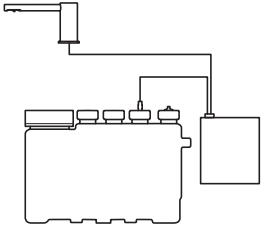
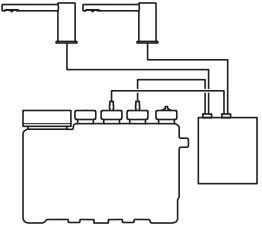
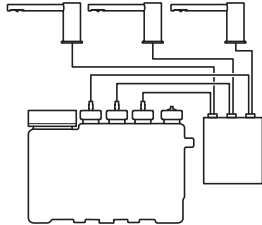
Si no se utiliza el dispensador durante períodos prolongados, retire todo el jabón del dispensador con el siguiente método.

1. Retire el jabón del tanque y lave el tanque con agua.
2. Llene el tanque con agua e instale el dispensador como es habitual.
3. Enjuague la línea con agua, activando el dispensador hasta que no salga jabón de la boquilla. Llenar con agua de ser necesario.
4. Deseche el agua que quede en el tanque y deje que se seque el tanque.
5. Desconecte la alimentación eléctrica hasta que se reanude el uso.

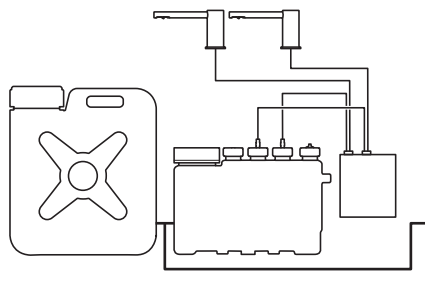
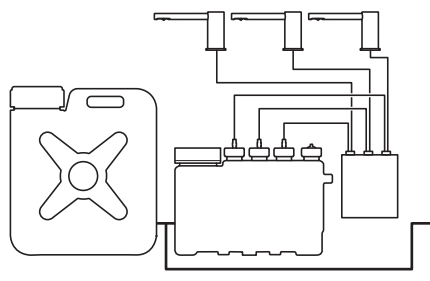
## SOLUCIÓN DE PROBLEMAS

Problema	En funcionamiento	Causa	Solución
No sale jabón	La luz LED roja parpadea	El nivel de jabón es bajo	Llene el tanque con jabón líquido
		Obstrucción frente a la ventana del sensor	Retire la obstrucción
	Se enciende la luz LED roja	La bomba no funciona correctamente	-
	-	La ventana del sensor está sucia	Limpie la ventana del sensor
	-	La ventana del sensor está desconectada	Conecte el cable
	-	La alimentación eléctrica está desconectada	Conecte el cable
No deja de salir jabón	-	El tubo está desconectado	Conecte el tubo
		La ventana del sensor está sucia	Limpie la ventana del sensor
No dispensa espuma	-	La ventana del sensor está sucia	Limpie la ventana del sensor
		El tubo de aire (azul) está desconectado	Conecte el tubo de aire
El jabón sale de manera imprevista	-	El nivel de viscosidad del jabón es alto	Reemplace con el jabón líquido aprobado por TOTO
		El jabón se dispersará automáticamente después de 72 horas sin uso para evitar obstrucciones.	-
La cantidad de jabón dispensada es pequeña	-	El nivel de viscosidad del jabón es alto	Reemplace con el jabón líquido aprobado por TOTO
		El filtro está obstruido	Limpie el filtro

## ESPECIFICACIONES

No uso con el subtanque							
N.º de modelo de kit		TES201A*#\$\$	TES201A*i2#\$\$	TES202A*#\$\$	TES202A*i2#\$\$	TES203A*#\$\$	TES203A*i2#\$\$
<b>COMPONENTES</b>	Boquilla	TLK0700*G TLK0800*G #\$\$ x 1 TLK03001G		TLK0700*G TLK0800*G #\$\$ x 2 TLK03001G		TLK0700*G TLK0800*G #\$\$ x 3 TLK03001G	
	Controlador & Tanque	TLK01101UA x 1	TLK01101Ui2 x 1 (TLK01101U1A & Tarjeta hija)	TLK01102UA x 1	TLK01102Ui2 x 1 (TLK01102U1A & Tarjeta hija)	TLK01103UA x 1	TLK01103Ui2 x 1 (TLK01103U1A & Tarjeta hija)
<b>Configuración</b>							
<b>Especificaciones</b>	Alimentación eléctrica	120 V CA					
	Potencia en vatios	4 W		6,5 W		9 W	
	Rango de detección del sensor	130–200 mm (5-1/8" – 7-7/8") El sensor se ajusta automáticamente					
	Temperatura ambiente	34–104°F (1–40°C)					
	Humedad	HR máx. del 90%					
	Longitud del cable de alimentación	1,4 m (55")					
	Volumen de jabón	1,2 ml (0,04 fl. oz) (con la configuración de fábrica)					
Capacidad del tanque	Aproximadamente 3 l (0,8 gal) (capacidad utilizable)						

## ESPECIFICACIONES (continuación)

Uso con el subtanque					
N.º de modelo de kit		TES204A*#\$\$	TES204A*i2#\$\$	TES205A*#\$\$	TES205A*i2#\$\$
<b>COMPO- NENTES</b>	Boquilla	TLK0700*G TLK0800*G #\$\$ x 2 TLK03001G		TLK0700*G TLK0800*G #\$\$ x 3 TLK03001G	
	Controlador & Tanque	TLK01106UA x 1	TLK01106Ui2 x 1 (TLK01106U1A & Tarjeta hija)	TLK01107UA x 1	TLK01107Ui2 x 1 (TLK01107U1A & Tarjeta hija)
	Subtanque	TLK01401U x 1	TLK01401U x 1	TLK01401U x 1	TLK01401U x 1
<b>Configuración</b>					
<b>Especificaciones</b>	Alimentación eléctrica	120 V CA			
	Potencia en vatios	6,5 W		9 W	
	Rango de detección del sensor	130–200 mm (5-1/8" – 7-7/8") El sensor se ajusta automáticamente			
	Temperatura ambiente	34–104°F (1–40°C)			
	Humedad	HR máx. del 90%			
	Longitud del cable de alimentación	1,4 m (55")			
	Volumen de jabón	1,2 ml (0,04 fl. oz) (con la configuración de fábrica)			
	Capacidad del tanque	23 l (6,1 gal) (capacidad utilizable)			

## GARANTÍA LIMITADA DE TRES AÑOS

La garantía se aplica únicamente a dispensadores de jabón, grifos y válvulas de descarga electrónicas seleccionados.

1. TOTO garantiza que sus dispensadores de jabón, grifos y válvulas de descarga automáticas (el "Producto") están libres de defectos en los materiales y la mano de obra durante el uso normal cuando se instalan y reparan de manera adecuada, durante un período de tres (3) años desde la fecha de compra. Esta garantía limitada se extiende solo al COMPRADOR ORIGINAL del Producto y no es transferible a terceros, incluyendo, entre otros, compradores u propietarios posteriores del Producto. Esta garantía aplica solo al Producto de TOTO comprado e instalado en Norteamérica, Centroamérica y Sudamérica.
2. Las obligaciones de TOTO en virtud de esta garantía se limitan a la reparación, remplazo u otro ajuste correspondiente, a criterio de TOTO, del Producto o de las piezas que se determinen que estén defectuosas con el uso normal, siempre y cuando dicho Producto se instale, utilice y repare de manera correcta y de acuerdo con las instrucciones. TOTO se reserva el derecho de hacer dichas inspecciones, según sean necesarias, para determinar la causa del defecto. TOTO no cobrará por la mano de obra ni las piezas relacionadas con las reparaciones o los reemplazos de acuerdo con la garantía. TOTO no es responsable del costo del retiro, de la devolución o la reinstalación del Producto.
3. Esta garantía no se aplica en las siguientes situaciones:
  - a. Daños o pérdidas sufridas durante un desastre natural, como incendios, terremotos, inundaciones, rayos, tormentas eléctricas, etc.
  - b. Daños o pérdidas producidas por accidentes, uso excesivo, mal uso, abuso, negligencia o cuidado, limpieza o mantenimiento inadecuados del Producto.
  - c. Daños o pérdidas producidos por sedimentos o sustancias extrañas que transporta el sistema de agua.
  - d. Daños o pérdidas producidos por la instalación inadecuada o la instalación del Producto en un entorno adverso o peligroso o el retiro, la reparación o la modificación inadecuados del Producto.
  - e. Daños o pérdidas que resulten de subidas de tensión o rayos u otras circunstancias que no son responsabilidad de TOTO o que el Producto no tolera según sus especificaciones.
  - f. Daños o pérdidas producidos por el desgaste natural normal y habitual, como pérdida de brillo, rayones o decoloración con el paso del tiempo debido al uso, prácticas de limpieza o condiciones del agua o atmosféricas, incluyendo, entre otras, el uso de cloro, alcalinos, limpiadores ácidos, limpiadores secos (en polvo) u otros limpiadores abrasivos o el uso de estropajos de metal o nailon.
4. Para que esta garantía limitada sea válida, se exige el comprobante de compra. TOTO recomienda registrar la garantía luego de la compra para crear un registro de propiedad del Producto en <http://www.totousa.com>. El registro del Producto es completamente voluntario y, si no lo registra, no se restringirán sus derechos según la garantía limitada.
5. ESTA GARANTÍA OTORGA DERECHOS LEGALES ESPECÍFICOS. ES POSIBLE QUE TENGA OTROS DERECHOS QUE VARÍEN SEGÚN EL ESTADO, LA PROVINCIA O EL PAÍS.
6. Para acceder al servicio de reparación de la garantía de acuerdo con esta garantía, debe llevar el Producto o enviarlo prepagado a una instalación de servicio de TOTO junto con el comprobante de compra (recibo de venta original) y una carta que indique el problema, o comuníquese con un distribuidor o contratista de servicios de productos de TOTO o escriba directamente a TOTO U.S.A., INC., 1155 Southern Road, Morrow, GA 30260, o bien llame al (888) 295 8134 o al (678) 466-1300 si se encuentra fuera de EE. UU. Si, debido al tamaño del Producto o la naturaleza del defecto, el Producto no se puede devolver a TOTO, la recepción por parte de TOTO de un aviso por escrito del defecto junto con el comprobante de compra (recibo de venta original) constituirá la entrega. En tal caso, TOTO puede elegir reparar el Producto en la ubicación del comprador o pagar el transporte del Producto a una instalación de servicio.

**ESTA GARANTÍA POR ESCRITO ES LA ÚNICA GARANTÍA QUE TOTO OTORGA. LA REPARACIÓN, EL REEMPLAZO U OTRO AJUSTE ADECUADO SEGÚN LO ESTIPULADO CONFORME A ESTA GARANTÍA SERÁ LA REPARACIÓN EXCLUSIVA DISPONIBLE PARA EL COMPRADOR ORIGINAL. TOTO NO SERÁ RESPONSABLE DE LA PÉRDIDA DEL PRODUCTO U OTROS DAÑOS Y PERJUICIOS INCIDENTALES, ESPECIALES O INDIRECTOS O GASTOS INCURRIDOS POR EL COMPRADOR ORIGINAL O POR LA MANO DE OBRA U OTROS COSTOS DEBIDO A LA INSTALACIÓN O EL RETIRO O LOS COSTOS DE REPARACIÓN POR PARTE DE TERCEROS U OTROS GASTOS NO INDICADOS EN CONCRETO ANTERIORMENTE. EN NINGÚN CASO LA RESPONSABILIDAD DE TOTO SUPERARÁ EL PRECIO DE COMPRA DEL PRODUCTO. EXCEPTO EN LA MEDIDA QUE LO PROHIBA LA LEY VIGENTE, SE DESCONOCE EXPRESAMENTE CUALQUIER GARANTÍA IMPLÍCITA, INCLUYENDO AQUELLA DE COMERCIABILIDAD O IDONEIDAD PARA EL USO O PARA UN PROPÓSITO PARTICULAR. ALGUNOS ESTADOS NO PERMITEN LIMITACIONES RESPECTO A LA DURACIÓN DE UNA GARANTÍA IMPLÍCITA O LA EXCLUSIÓN O LA LIMITACIÓN DE DAÑOS INCIDENTALES O INDIRECTOS, DE MODO QUE LA LIMITACIÓN Y EXCLUSIÓN ANTERIORES PUEDEN NO APLICARSE A USTED.**

## TABLE DES MATIÈRES

MERCI D'AVOIR CHOISI TOTO!.....	68
AVERTISSEMENTS.....	68
AVANT L'INSTALLATION.....	68
PIÈCES INCLUSES.....	69
PROCÉDURE D'INSTALLATION.....	73
TESTS.....	84
MODE D'EMPLOI.....	85
REPLISSAGE DU RÉSERVOIR.....	86
RÉGLAGE DU MODE.....	87
ENTRETIEN ET NETTOYAGE.....	88
ENTRETIEN PÉRIODIQUE.....	89
NON-UTILISATION À LONG TERME.....	97
DÉPANNAGE.....	97
SPÉCIFICATIONS.....	98
GARANTIE LIMITÉE DE TROIS ANS.....	100
DIMENSIONS DE LA PLOMBERIE BRUTE.....	134

### MERCI D'AVOIR CHOISI TOTO!

TOTO a pour mission d'apporter un style de vie sain, hygiénique et plus agréable au monde entier. Pour concevoir chacun de nos produits, notre principe de base consiste à trouver le meilleur équilibre possible entre la forme et la fonction. Félicitations pour votre choix!

### AVERTISSEMENTS

Veuillez lire et adhérer aux notes suivantes. Négliger de le faire peut entraîner des blessures corporelles ou des dommages matériels.

- Nul autre qu'un ingénieur de service ne doit démonter, réparer ou modifier ce distributeur, à moins que ce ne soit expressément prescrit dans le présent manuel. Tout manquement à ces directives pourrait produire une décharge électrique ou un mauvais fonctionnement du produit.
- Ne pas utiliser ce distributeur dans un endroit humide où la condensation peut s'accumuler à la surface, en particulier dans un sauna ou un hammam.
- Ne pas frapper ou donner de coups de pieds sur le distributeur ou la boîte de commande, car cela peut endommager l'unité ou causer une fuite.
- Ne pas utiliser ce distributeur si la température ambiante tombe sous le point de congélation.
- S'assurer que le cordon d'alimentation n'entre pas en contact avec la canalisation d'alimentation en eau chaude.
- Éviter de placer des objets dans la plage de détection du capteur infrarouge.
- Pour éviter l'invalidation de la garantie, utiliser seulement un savon liquide approuvé par TOTO.
- S'assurer que la prise électrique est dans une position où elle ne sera pas mouillée pendant l'utilisation.

### AVANT L'INSTALLATION

- Lire ces directives soigneusement pour assurer une installation correcte.
- TOTO se réserve le droit de mettre à jour la conception du produit sans préavis.
- S'assurer d'avoir les pièces indiquées sur la page suivante.

# PIÈCES INCLUSES

## VENTILATION DES COMPOSANTS

OPTION DE TROUSSE		COMPOSANTS						
	No de modèle de troussse	Installation du robinet	Becs		Contrôleur & Réservoir		Sous-réservoir	
			No de modèle	Qté	No de modèle	Qté	No de modèle	Qté
Standard	TES201AB#\$\$	1	→ TLK07001G#\$\$	1	TLK01101UA	1 (Pour 1 robinet)		
	TES202AB#\$\$	2	→ TLK07001G#\$\$	2	TLK01102UA	1 (Pour 2 robinets)		
	TES203AB#\$\$	3	→ TLK07001G#\$\$	3	TLK01103UA	1 (Pour 3 robinets)		
	TES204AB#\$\$	2	→ TLK07001G#\$\$	2	TLK01106UA	1 (Pour 2 robinets)	TLK01401U	1
	TES205AB#\$\$	3	→ TLK07001G#\$\$	3	TLK01107UA	1 (Pour 3 robinets)	TLK01401U	1
avec carte fille	TES201ABi2#\$\$	1	→ TLK07001G#\$\$	1	TLK01101Ui2 ( TLK01101U1A & Carte fille )	1 (Pour 1 robinet)		
	TES202ABi2#\$\$	2	→ TLK07001G#\$\$	2	TLK01102Ui2 ( TLK01102U1A & Carte fille )	1 (Pour 2 robinets)		
	TES203ABi2#\$\$	3	→ TLK07001G#\$\$	3	TLK01103Ui2 ( TLK01103U1A & Carte fille )	1 (Pour 3 robinets)		
	TES204ABi2#\$\$	2	→ TLK07001G#\$\$	2	TLK01106Ui2 ( TLK01106U1A & Carte fille )	1 (Pour 2 robinets)	TLK01401U	1
	TES205ABi2#\$\$	3	→ TLK07001G#\$\$	3	TLK01107Ui2 ( TLK01107U1A & Carte fille )	1 (Pour 3 robinets)	TLK01401U	1

OPTION DE TROUSSE		COMPOSANTS						
	No de modèle de troussse	Installation du robinet	Becs		Contrôleur & Réservoir		Sous-réservoir	
			No de modèle	Qté	No de modèle	Qté	No de modèle	Qté
Standard	TES201AD#\$\$	1	→ TLK07003G#\$\$	1	TLK01101UA	1 (Pour 1 robinet)		
	TES202AD#\$\$	2	→ TLK07003G#\$\$	2	TLK01102UA	1 (Pour 2 robinets)		
	TES203AD#\$\$	3	→ TLK07003G#\$\$	3	TLK01103UA	1 (Pour 3 robinets)		
	TES204AD#\$\$	2	→ TLK07003G#\$\$	2	TLK01106UA	1 (Pour 2 robinets)	TLK01401U	1
	TES205AD#\$\$	3	→ TLK07003G#\$\$	3	TLK01107UA	1 (Pour 3 robinets)	TLK01401U	1
avec carte fille	TES201ADi2#\$\$	1	→ TLK07003G#\$\$	1	TLK01101Ui2 ( TLK01101U1A & Carte fille )	1 (Pour 1 robinet)		
	TES202ADi2#\$\$	2	→ TLK07003G#\$\$	2	TLK01102Ui2 ( TLK01102U1A & Carte fille )	1 (Pour 2 robinets)		
	TES203ADi2#\$\$	3	→ TLK07003G#\$\$	3	TLK01103Ui2 ( TLK01103U1A & Carte fille )	1 (Pour 3 robinets)		
	TES204ADi2#\$\$	2	→ TLK07003G#\$\$	2	TLK01106Ui2 ( TLK01106U1A & Carte fille )	1 (Pour 2 robinets)	TLK01401U	1
	TES205ADi2#\$\$	3	→ TLK07003G#\$\$	3	TLK01107Ui2 ( TLK01107U1A & Carte fille )	1 (Pour 3 robinets)	TLK01401U	1

OPTION DE TROUSSE		COMPOSANTS						
	No de modèle de troussse	Installation du robinet	Becs		Contrôleur & Réservoir		Sous-réservoir	
			No de modèle	Qté	No de modèle	Qté	No de modèle	Qté
Standard	TES201AA#\$\$	1	→ TLK03001G#\$\$	1	TLK01101U	1 (Pour 1 robinet)		
	TES202AA#\$\$	2	→ TLK03001G#\$\$	2	TLK01102U	1 (Pour 2 robinets)		
	TES203AA#\$\$	3	→ TLK03001G#\$\$	3	TLK01103U	1 (Pour 3 robinets)		
	TES204AA#\$\$	2	→ TLK03001G#\$\$	2	TLK01106U	1 (Pour 2 robinets)	TLK01401U	1
	TES205AA#\$\$	3	→ TLK03001G#\$\$	3	TLK01107U	1 (Pour 3 robinets)	TLK01401U	1
avec carte fille	TES201AAi2#\$\$	1	→ TLK03001G#\$\$	1	TLK01101Ui2 ( TLK01101U1 & Carte fille )	1 (Pour 1 robinet)		
	TES202AAi2#\$\$	2	→ TLK03001G#\$\$	2	TLK01102Ui2 ( TLK01102U1 & Carte fille )	1 (Pour 2 robinets)		
	TES203AAi2#\$\$	3	→ TLK03001G#\$\$	3	TLK01103Ui2 ( TLK01103U1 & Carte fille )	1 (Pour 3 robinets)		
	TES204AAi2#\$\$	2	→ TLK03001G#\$\$	2	TLK01106Ui2 ( TLK01106U1 & Carte fille )	1 (Pour 2 robinets)	TLK01401U	1
	TES205AAi2#\$\$	3	→ TLK03001G#\$\$	3	TLK01107Ui2 ( TLK01107U1 & Carte fille )	1 (Pour 3 robinets)	TLK01401U	1

FRANÇAIS



# PIÈCES INCLUSES (suite)

## VENTILATION DES COMPOSANTS

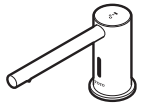
OPTION DE TROUSSE		COMPOSANTS							
	No de modèle de troussse	Installation du robinet	Becs		Contrôleur & Réservoir		Sous-réservoir		
			No de modèle	Qté	No de modèle	Qté	No de modèle	Qté	
Standard	TES201AE#\$\$	1	→	TLK08001G#\$\$	1	TLK01101UA	1 (Pour 1 robinet)		
	TES202AE#\$\$	2	→	TLK08001G#\$\$	2	TLK01102UA	1 (Pour 2 robinets)		
	TES203AE#\$\$	3	→	TLK08001G#\$\$	3	TLK01103UA	1 (Pour 3 robinets)		
	TES204AE#\$\$	2	→	TLK08001G#\$\$	2	TLK01106UA	1 (Pour 2 robinets)	TLK01401U	1
	TES205AE#\$\$	3	→	TLK08001G#\$\$	3	TLK01107UA	1 (Pour 3 robinets)	TLK01401U	1
avec carte fille	TES201AEi2#\$\$	1	→	TLK08001G#\$\$	1	TLK01101Ui2 ( TLK01101U1A & Carte fille )	1 (Pour 1 robinet)		
	TES202AEi2#\$\$	2	→	TLK08001G#\$\$	2	TLK01102Ui2 ( TLK01102U1A & Carte fille )	1 (Pour 2 robinets)		
	TES203AEi2#\$\$	3	→	TLK08001G#\$\$	3	TLK01103Ui2 ( TLK01103U1A & Carte fille )	1 (Pour 3 robinets)		
	TES204AEi2#\$\$	2	→	TLK08001G#\$\$	2	TLK01106Ui2 ( TLK01106U1A & Carte fille )	1 (Pour 2 robinets)	TLK01401U	1
	TES205AEi2#\$\$	3	→	TLK08001G#\$\$	3	TLK01107Ui2 ( TLK01107U1A & Carte fille )	1 (Pour 3 robinets)	TLK01401U	1

OPTION DE TROUSSE		COMPOSANTS							
	No de modèle de troussse	Installation du robinet	Becs		Contrôleur & Réservoir		Sous-réservoir		
			No de modèle	Qté	No de modèle	Qté	No de modèle	Qté	
Standard	TES201AF#\$\$	1	→	TLK08002G#\$\$	1	TLK01101UA	1 (Pour 1 robinet)		
	TES202AF#\$\$	2	→	TLK08002G#\$\$	2	TLK01102UA	1 (Pour 2 robinets)		
	TES203AF#\$\$	3	→	TLK08002G#\$\$	3	TLK01103UA	1 (Pour 3 robinets)		
	TES204AF#\$\$	2	→	TLK08002G#\$\$	2	TLK01106UA	1 (Pour 2 robinets)	TLK01401U	1
	TES205AF#\$\$	3	→	TLK08002G#\$\$	3	TLK01107UA	1 (Pour 3 robinets)	TLK01401U	1
avec carte fille	TES201AFi2#\$\$	1	→	TLK08002G#\$\$	1	TLK01101Ui2 ( TLK01101U1A & Carte fille )	1 (Pour 1 robinet)		
	TES202AFi2#\$\$	2	→	TLK08002G#\$\$	2	TLK01102Ui2 ( TLK01102U1A & Carte fille )	1 (Pour 2 robinets)		
	TES203AFi2#\$\$	3	→	TLK08002G#\$\$	3	TLK01103Ui2 ( TLK01103U1A & Carte fille )	1 (Pour 3 robinets)		
	TES204AFi2#\$\$	2	→	TLK08002G#\$\$	2	TLK01106Ui2 ( TLK01106U1A & Carte fille )	1 (Pour 2 robinets)	TLK01401U	1
	TES205AFi2#\$\$	3	→	TLK08002G#\$\$	3	TLK01107Ui2 ( TLK01107U1A & Carte fille )	1 (Pour 3 robinets)	TLK01401U	1

OPTION DE TROUSSE		COMPOSANTS							
	No de modèle de troussse	Installation du robinet	Becs		Contrôleur & Réservoir		Sous-réservoir		
			No de modèle	Qté	No de modèle	Qté	No de modèle	Qté	
Standard	TES201AG#\$\$	1	→	TLK08003G#\$\$	1	TLK01101UA	1 (Pour 1 robinet)		
	TES202AG#\$\$	2	→	TLK08003G#\$\$	2	TLK01102UA	1 (Pour 2 robinets)		
	TES203AG#\$\$	3	→	TLK08003G#\$\$	3	TLK01103UA	1 (Pour 3 robinets)		
	TES204AG#\$\$	2	→	TLK08003G#\$\$	2	TLK01106UA	1 (Pour 2 robinets)	TLK01401U	1
	TES205AG#\$\$	3	→	TLK08003G#\$\$	3	TLK01107UA	1 (Pour 3 robinets)	TLK01401U	1
avec carte fille	TES201AGi2#\$\$	1	→	TLK08003G#\$\$	1	TLK01101Ui2 ( TLK01101U1A & Carte fille )	1 (Pour 1 robinet)		
	TES202AGi2#\$\$	2	→	TLK08003G#\$\$	2	TLK01102Ui2 ( TLK01102U1A & Carte fille )	1 (Pour 2 robinets)		
	TES203AGi2#\$\$	3	→	TLK08003G#\$\$	3	TLK01103Ui2 ( TLK01103U1A & Carte fille )	1 (Pour 3 robinets)		
	TES204AGi2#\$\$	2	→	TLK08003G#\$\$	2	TLK01106Ui2 ( TLK01106U1A & Carte fille )	1 (Pour 2 robinets)	TLK01401U	1
	TES205AGi2#\$\$	3	→	TLK08003G#\$\$	3	TLK01107Ui2 ( TLK01107U1A & Carte fille )	1 (Pour 3 robinets)	TLK01401U	1

## PIÈCES INCLUSES (suite)

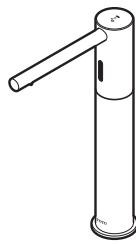
### Assemblage du bec



TLK07001G



Clé hexagonale  
(Taille: 1,5 mm)



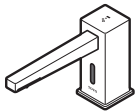
TLK07003G



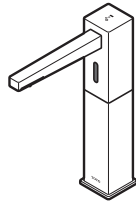
Clé hexagonale  
(Taille: 1,5 mm)



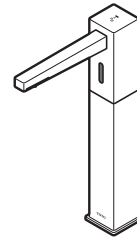
TLK03001G



TLK08001G

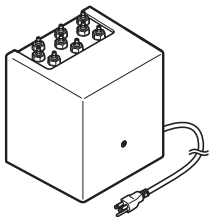


TLK08002G



TLK08003G

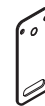
### Contrôleur



Vis  
( $\Phi$  5,1 mm x 32 mm)



Support de montage



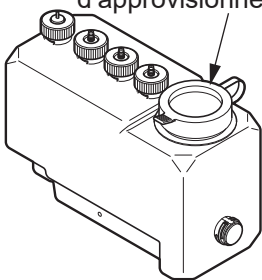
Plaque d'ancrage



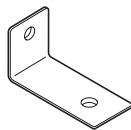
Vis taraudeuse  
fraisée  
( $\Phi$  4 mm x 10 mm)

### Réservoir de 3 L (0,8 gallon)

Capuchon du port  
d'approvisionnement



Ensemble de supports  
(pour réservoir 3 L uniquement)



Support



Vis  
( $\Phi$  5,1 mm x 32 mm)



Vis décorative



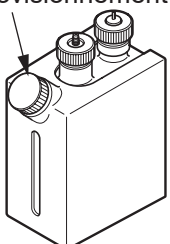
Tuyau 6 pi 6 3/4 po (2 m)  
(type unique : 1, type double : 2,  
type triple : 3)



Collier de serrage  
(type unique : 2, type double : 4,  
type triple : 6)

### \* Réservoir 1 L (0,26 gallon) (commande spéciale)

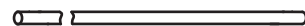
Capuchon du port  
d'approvisionnement



Support



Bande de  
fixation



Tuyau 7 1/16 po (180 mm)



Collier de serrage : 2

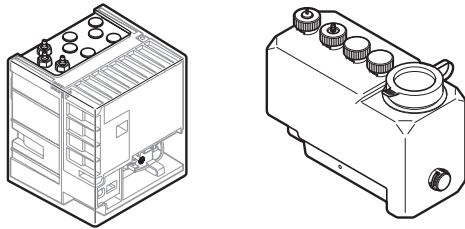


Vis à tête ronde  
( $\Phi$  5,1 mm x 32 mm)

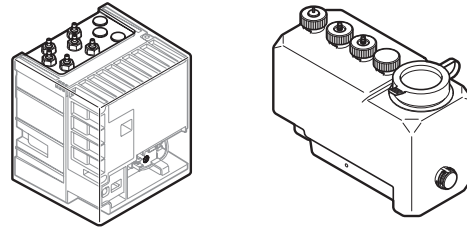
# PIÈCES INCLUSES (suite)

## Contrôleur & Réservoir

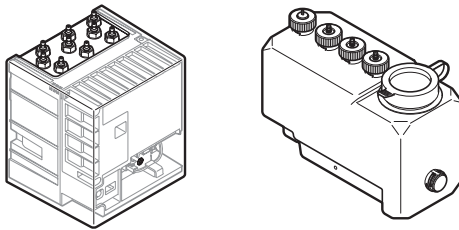
TLK01101UA, TLK01101Ui2



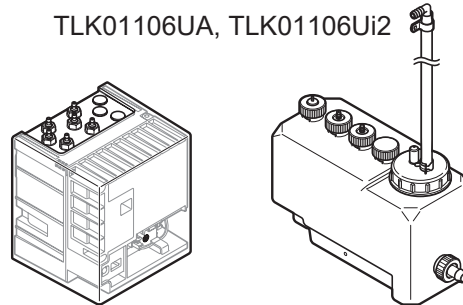
TLK01102UA, TLK01102Ui2



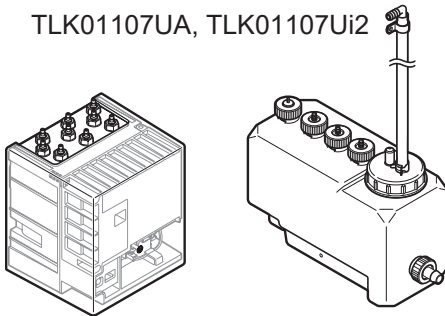
TLK01103UA, TLK01103Ui2



TLK01106UA, TLK01106Ui2

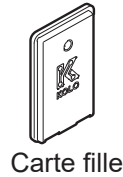


TLK01107UA, TLK01107Ui2

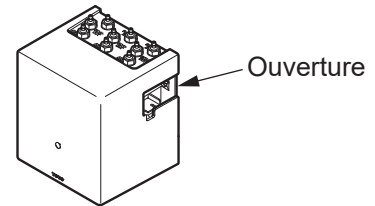


\*TLK0110xUi2 comprend une carte fille.

\*Le couvercle extérieur de TLK0110xUi2 a une ouverture sur le côté droit.



Carte fille

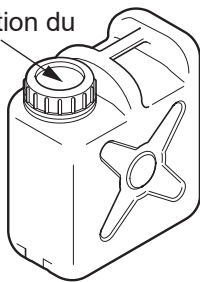


Ouverture

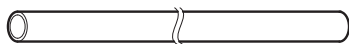
FRANÇAIS

## Unité du sous-réservoir (TLK01401U)

Alimentation du savon



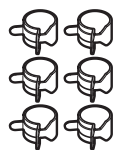
Sous-réservoir



Tuyau de raccordement 16 pi 4 7/8 po (5 m)



Raccord fileté en Y

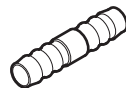


Colliers de serrage (6)

## Unité du tuyau (TLK01403U)



Tuyau de raccordement  
16 pi 4 7/8 po (5 m)

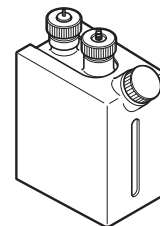
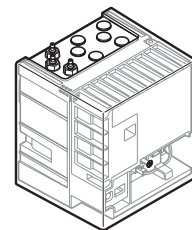


Raccord fileté en I



Collier de serrage (1)

## Commande spéciale



## PROCÉDURE D'INSTALLATION – POSITIONNEMENT

### Positionnement du distributeur

1. S'assurer de laisser un espace d'au moins 4 3/4 po (120 mm) entre le distributeur de savon et le robinet pour éviter une activation accidentelle.
2. Laisser un espace maximal de 3 1/8 po (80 mm) entre le bord intérieur de l'évier et le trou d'installation du bec, pour s'assurer que tout savon résiduel du distributeur coule du bec dans l'évier.

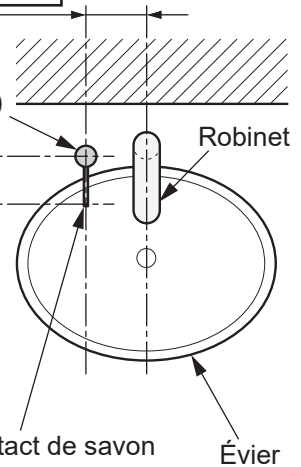
(1) L'espace entre le distributeur et le robinet doit être au minimum 4 3/4 po (120 mm)

Le trou d'installation du distributeur [- 1 po à 1 1/8 po (- 25 à 28 mm) de diamètre]

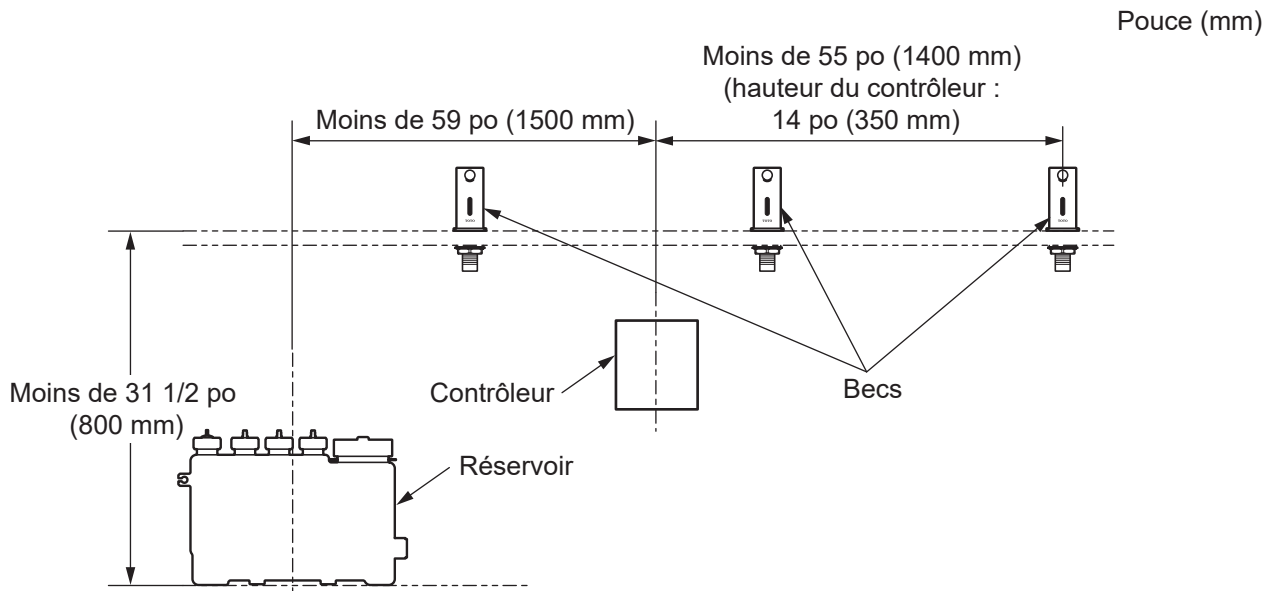
(2) La distance entre le distributeur de savon et le bord de l'évier doit être au maximum 3 1/8 po (80 mm)

Distributeur sans contact de savon

Évier



### Positionnement du réservoir



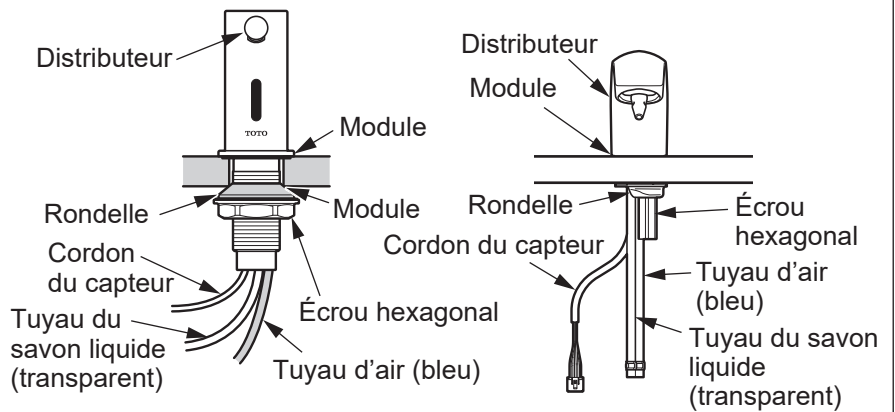
- Installer le réservoir à moins de 31 1/2 po (800 mm) de la face supérieure du comptoir. Il ne doit pas non plus dépasser la hauteur de l'extrémité supérieure du contrôleur. Il ne doit pas être installé sur le comptoir ou au niveau inférieur. S'il est installé en dehors de cette plage, les problèmes suivants peuvent se produire. Le savon ne mousse pas en raison d'une sortie d'eau diminuée.
- La longueur du tuyau relié au bec est de 6 pi (1,8 m). Installer le contrôleur afin que le tuyau puisse être raccordé au contrôleur.

## IPROCÉDURE D'INSTALLATION – Bec

1. Insérer le distributeur dans les trous d'installation du comptoir (ou de l'évier).
2. Fixez le distributeur avec une rondelle et un écrou hexagonal.

### Mise en garde

S'assurer que les cordons et les tuyaux ne soient pas sertis.



## PROCÉDURE D'INSTALLATION – Contrôleur

Marquage de la position des trous de vis de la plaque d'ancrage.

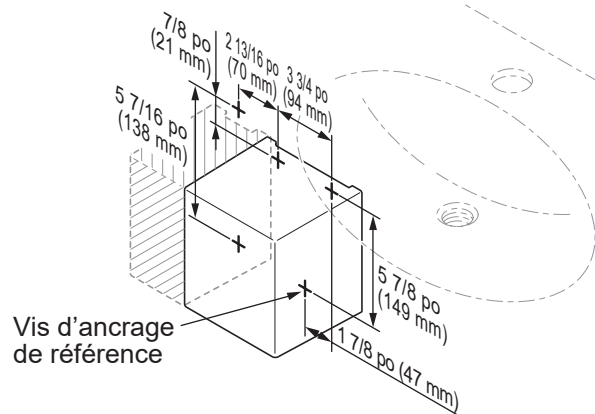
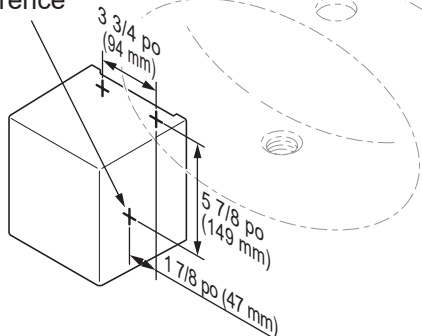
Décider de la position d'ancrage du contrôleur, et marquer la position des trous de vis sur le mur en se référant au plan dimensionnel.

[ Réservoir de type 3 L (0,8 gallon) ]

[ Réservoir de type 1 L (0,26 gallon) ]

(Unité : pouce (mm))

Vis d'ancrage de référence



FRANÇAIS

### Installation du contrôleur sur un mur carrelé ou en béton

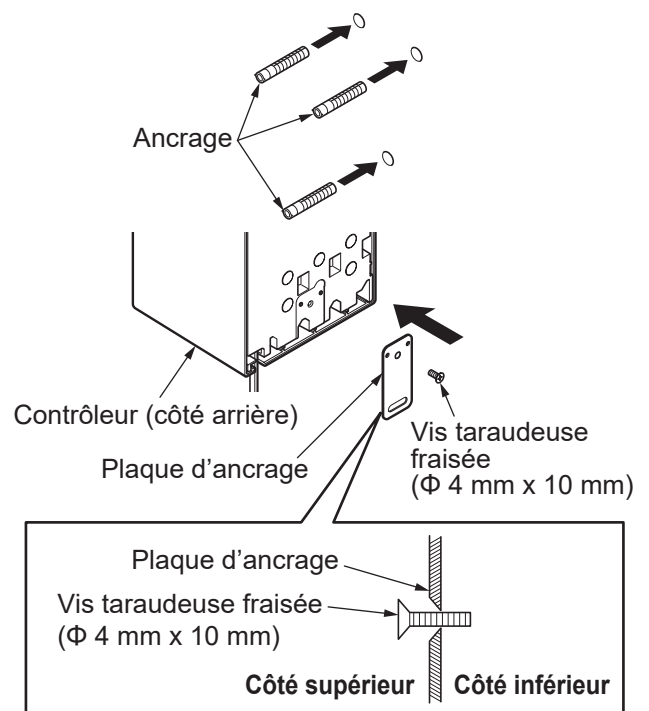
1. Percer un trou grossier à la position du trou de vis, et introduire le bouchon (se le procurer sur le terrain).

\* Se procurer un bouchon correspondant à la vis (Φ 5,1 mm x 32 mm).

2. Ancrer la plaque d'ancrage inférieure au contrôleur avec une vis taraudeuse fraisée.

### Mise en garde

- Ne pas utiliser un tournevis électrique pour serrer les vis. Ces vis doivent être serrées manuellement.
- Faire attention à ne pas confondre le côté supérieur et le côté inférieur de la plaque d'ancrage.



## PROCÉDURE D'INSTALLATION – Contrôleur (suite)

3. Positionner et ancrer le support avec deux vis.
  4. Pendre le contrôleur sur le support de montage et ancrer la plaque d'ancrage inférieure avec une vis.
- \* Coincer le fil de mise à la terre avec le support de montage et les ancrer avec une vis.

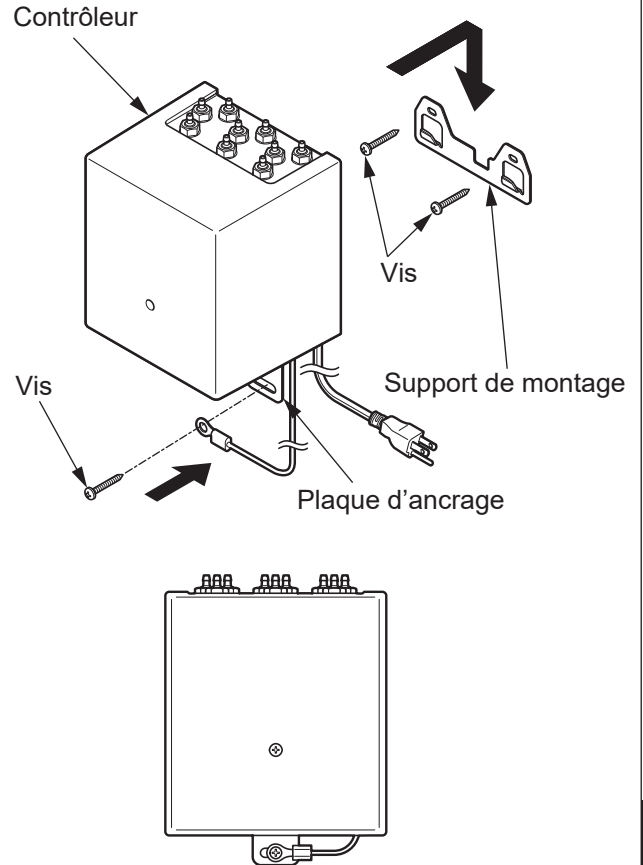
### Installation du contrôleur sur un mur en bois ou une cloison sèche.

Confirmer que le mur en bois a une structure qui peut supporter le poids (4,41lb) du contrôleur (type triple). (Afin de soutenir le contrôleur sur une cloison sèche, assurez-vous que la base en contreplaqué a une épaisseur minimale de 1/2 pouce (25 mm).) Ancrer le support de montage avec deux vis et ancrer la plaque d'ancrage avec une vis.

Au besoin, renforcer la structure du mur.

### Mise en garde

- Installer le corps de l'unité horizontalement.
- Faire attention de ne pas pincer le cordon électrique ou de ne pas le toucher sur les bords.

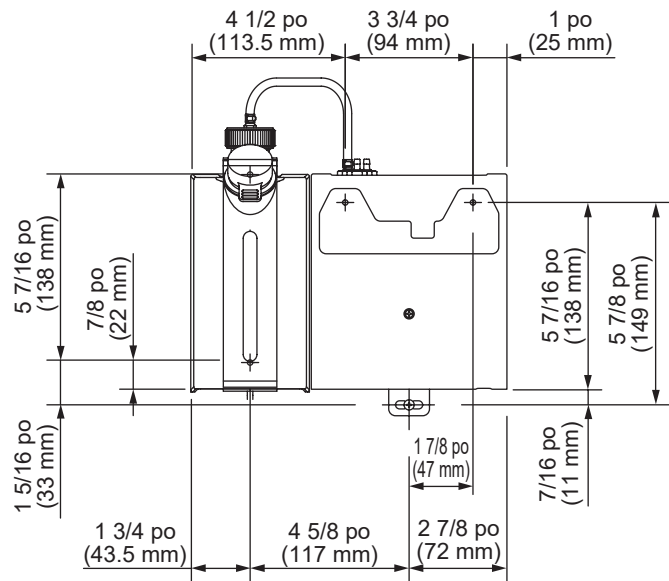
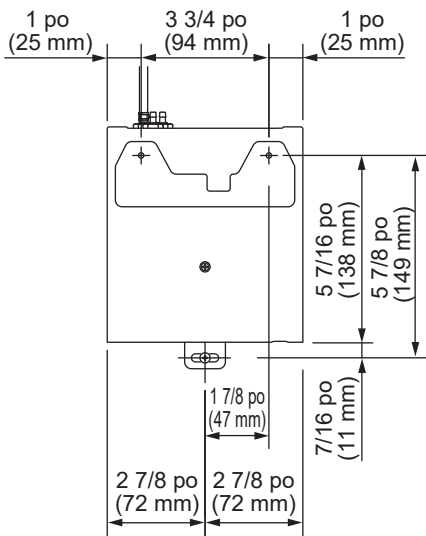


### Dimensions

[ Réservoir de type 3 L (0,8 gallon) ]

[ Réservoir de type 1 L (0,26 gallon) ]

(Unité : pouce (mm))



## PROCÉDURE D'INSTALLATION – Réservoir

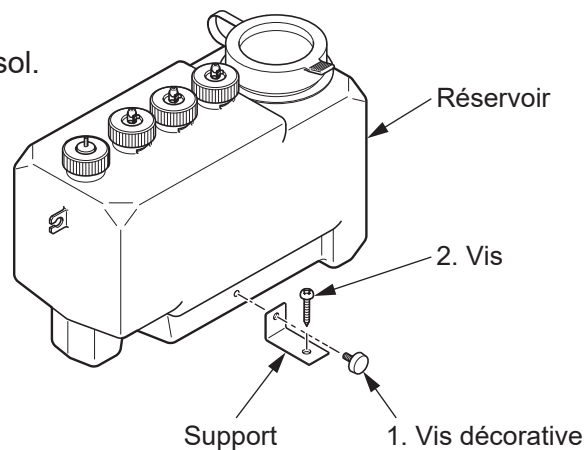
### [Réservoir de type 3 L (0,8 gallon)]

Utilisation du support pour ancrer le réservoir sur le sol.

1. Ancrer le réservoir et les supports avec les vis décoratives; elles doivent être serrées à la main.
2. Installer le réservoir sur le sol avec la vis.

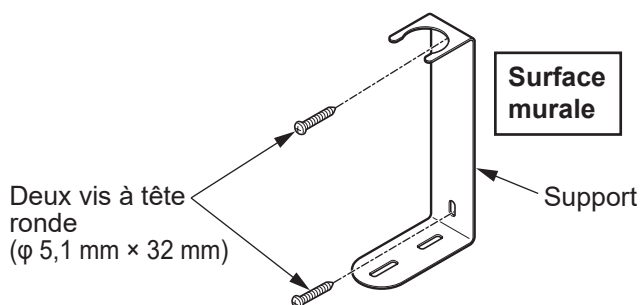
#### Remarque

Si le plancher est en béton, enfoncer d'abord les bouchons.

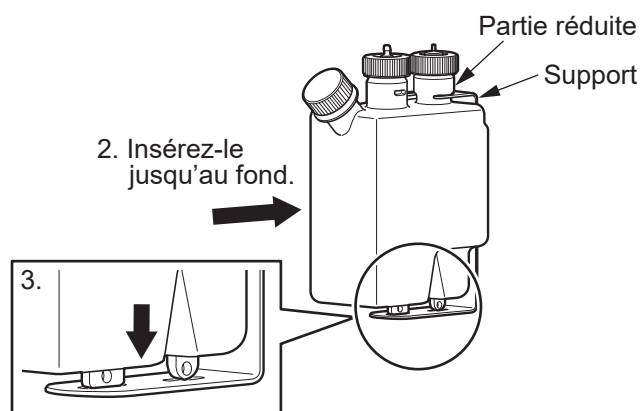


### [Réservoir de type 1 L (0,26 gallon) (Commande spéciale)]

1. Ancrer le support avec la vis à tête ronde attachée.



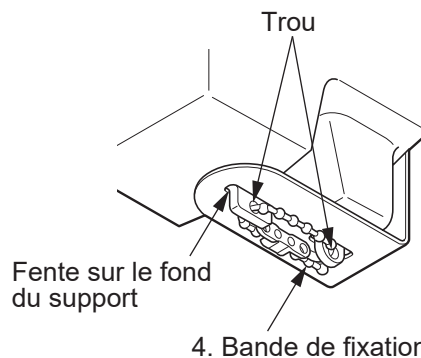
2. Passer la partie réduite du réservoir entre le support et insérez-la jusqu'au fond.



3. Insérer le réservoir dans la fente sur la surface inférieure du support et le passer à travers les deux trous.

4. Attache de la bande de fixation.

\* La bande de fixation sert à empêcher le réservoir de tomber s'il entre en collision avec quelque chose.  
Si le réservoir est installé derrière un mur ou autre, il n'est pas nécessaire d'attacher la bande de fixation.





# PROCÉDURE D'INSTALLATION - Raccordement des tuyaux et des cordons

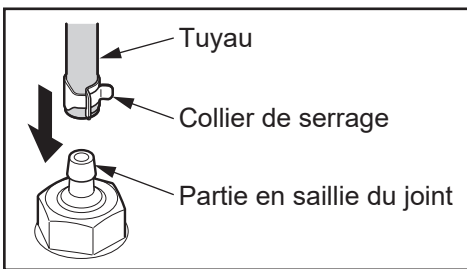
## Raccordement des tuyaux

1. Couper les tuyaux à la longueur appropriée pour atteindre la pièce connectée.  
(Entre les becs et le contrôleur)  
(Entre le contrôleur et le réservoir)

### Mise en garde

À l'aide d'un coupe-boyau, etc., couper les tuyaux de sorte que la surface de coupe soit verticale.

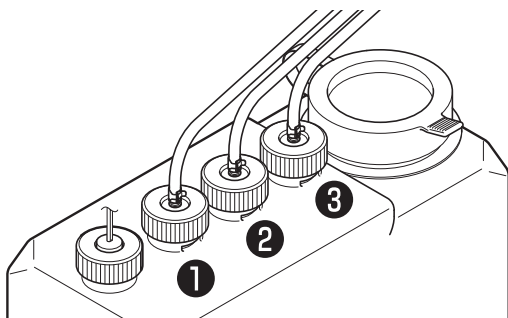
2. Insérer le tuyau complètement dans le contrôleur, mettre le collier de serrage sur la partie en saillie du joint et ancrer solidement le tuyau.



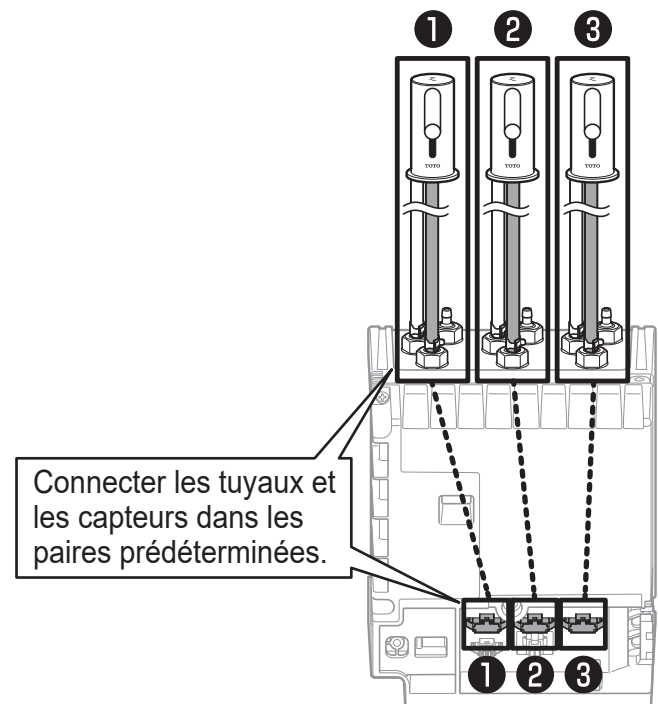
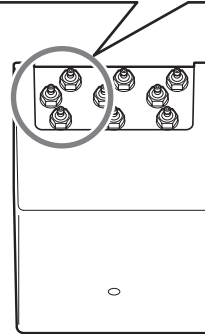
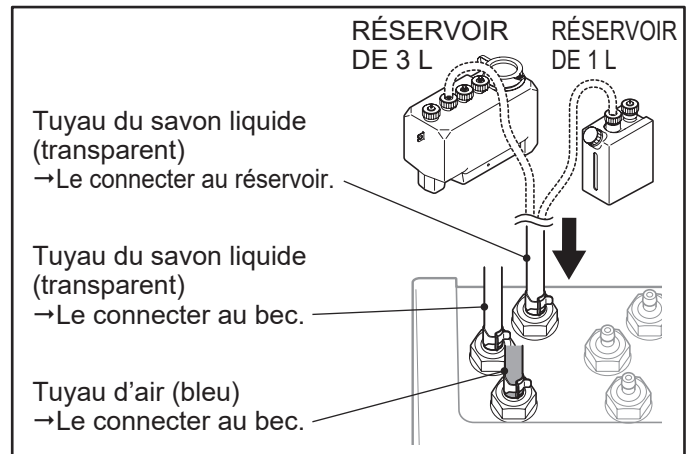
### Mise en garde

- Raccorder les tuyaux et les capteurs dans les paires prédéterminées.
- Lors de l'insertion des tuyaux, faire attention pour ne pas appliquer une forte pression au joint du réservoir.
- Attention de ne pas plier les tuyaux.

### [Côté du réservoir]



### [Côté de contrôleur]



- \* Connecter le type unique à 1 uniquement.  
(Le capteur ne fonctionne pas dans une autre position.)
- \* Connecter le type double à 1 et 2.  
(3 ne fonctionne pas.)



### La connexion des raccords

Enlever le couvercle du contrôleur et connecter le raccord du capteur au raccord de l'interrupteur à flotteur.

Connecter le raccord du capteur et le tuyau selon les positions prescrites.

#### Pour une installation unique

Connecter en un seul endroit.

Raccord ❶ (blanc) pour le capteur uniquement

#### Pour une installation double

Connecter en deux endroits.

Raccords ❶ (blanc) et ❷ (jaune) pour le capteur

#### Pour une installation triple

Connecter en trois endroits.

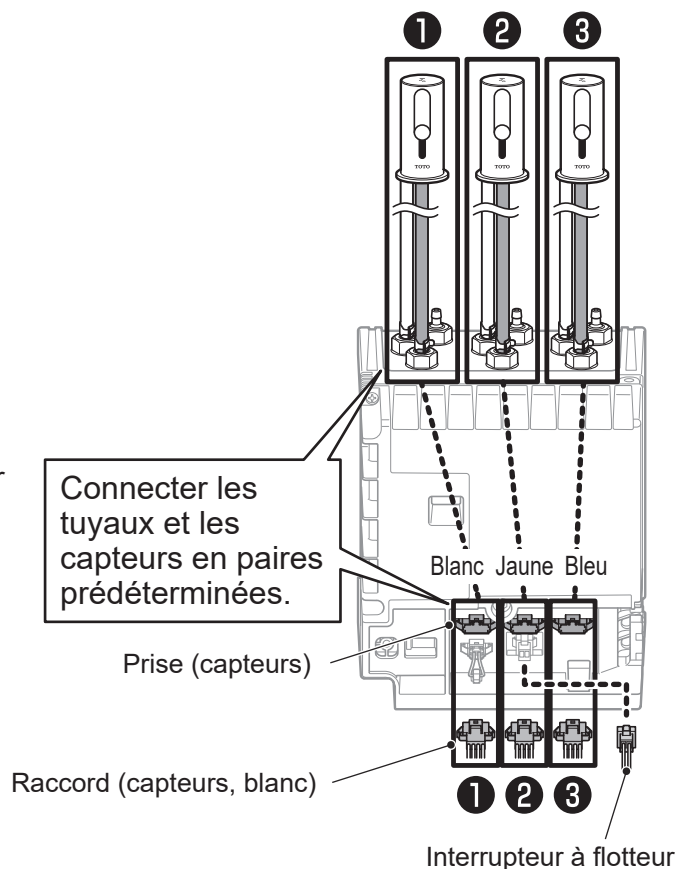
Raccords ❶ (blanc), ❷ (jaune) et ❸ (bleu) pour le capteur

#### Mise en garde

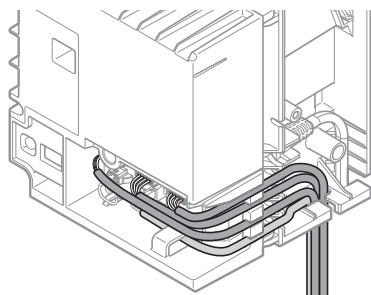
Tous les raccords de capteurs connectés au bec sont blancs.

Les raccords disposés dans le contrôleur sont blancs, jaunes et bleus.

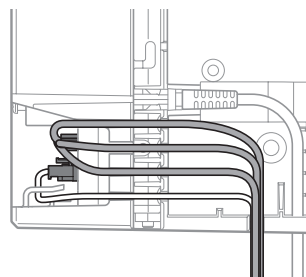
Different colors may be connected.



#### Image du câblage

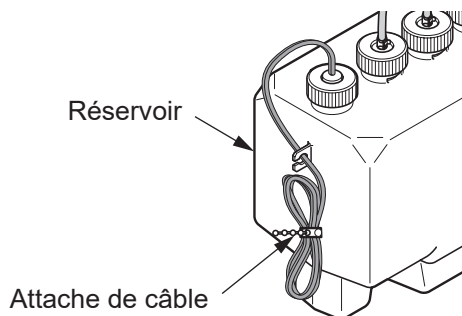


#### Face latérale (vue du câblage)



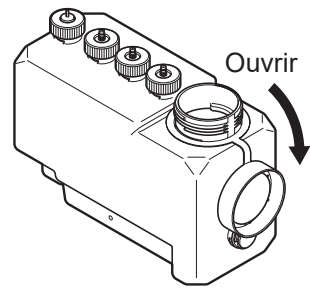
#### Enroulement du cordon du contacteur à flotteur

Ranger et regrouper les cordons avec des attaches de câbles.



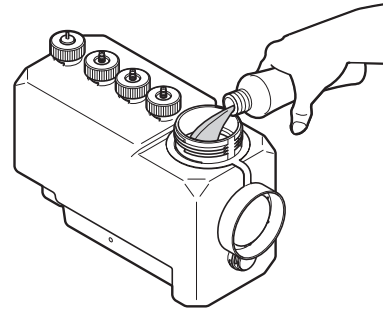
## PROCÉDURE D'INSTALLATION – Remplissage du savon liquide

1. Enlever le capuchon du réservoir.



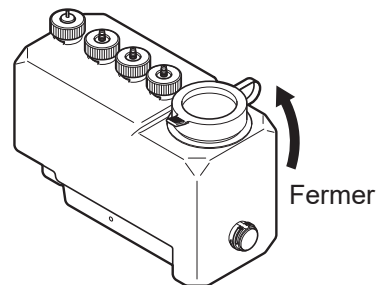
2. Verser lentement le savon liquide dans le réservoir de retenue.

Garder l'œil sur le niveau du savon liquide alors que vous le versez lentement afin qu'il ne devienne pas mousseux.

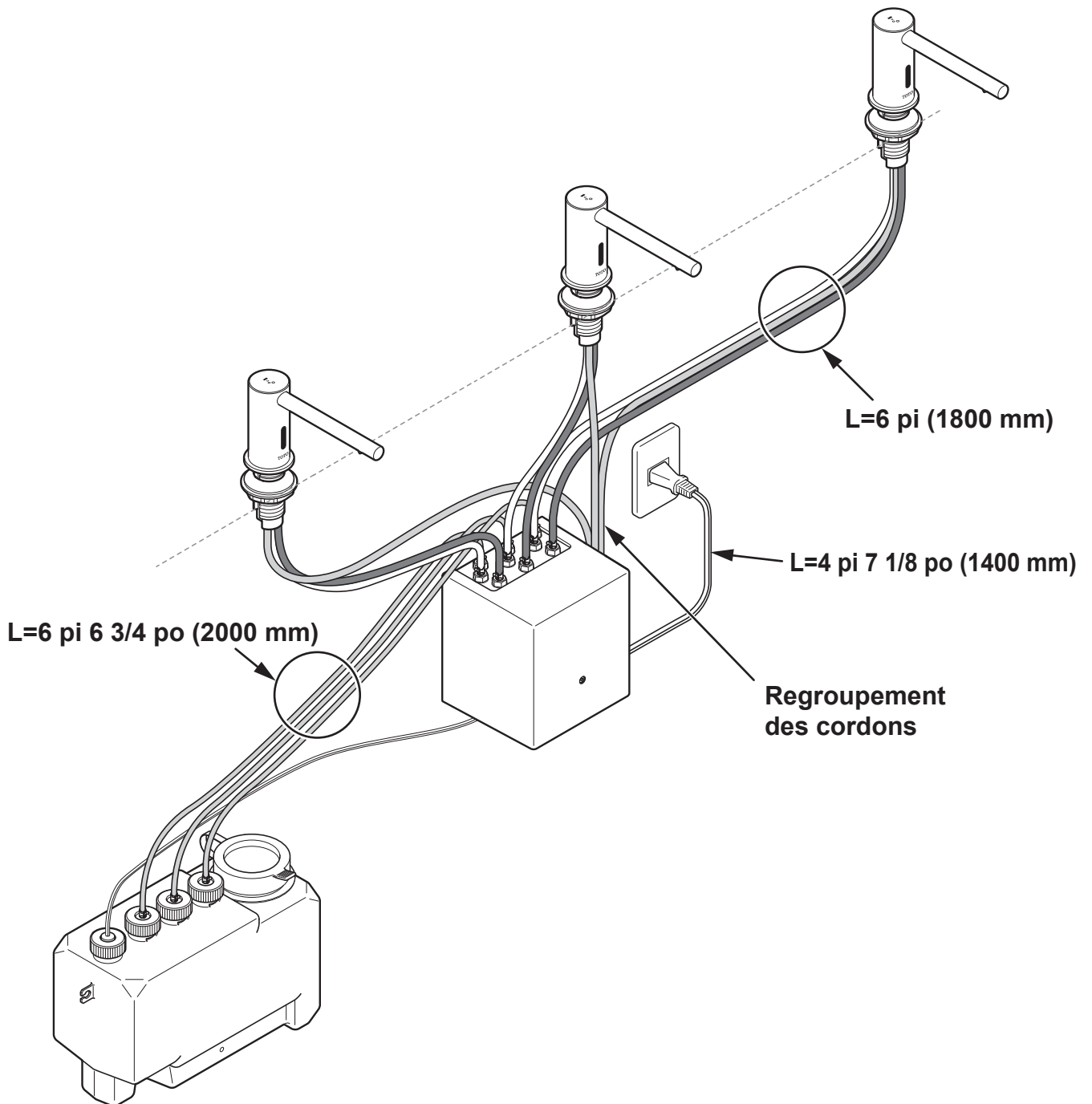


3. Fermer solidement le capuchon du réservoir.

S'assurer que le capuchon est solidement en place après avoir rempli le réservoir.



## Plan de la fin de l'installation



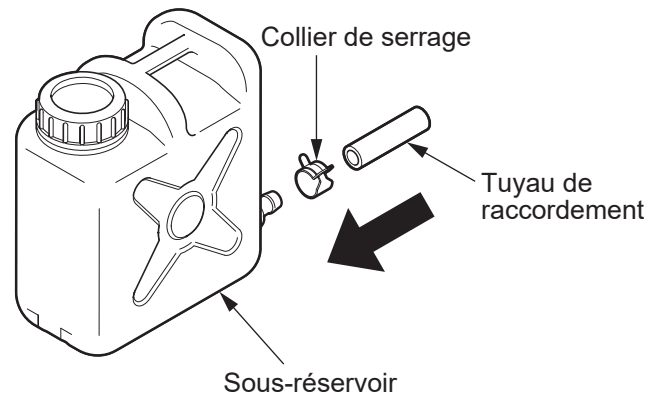
## PROCÉDURE D'INSTALLATION – Unité du sous-réservoir

1. Connecter le tuyau au sous-réservoir.

\* Utiliser le tuyau de raccordement pour connecter le réservoir, puis couper à la longueur désirée pour l'adapter entre le sous-réservoir et le réservoir.

### Mise en garde

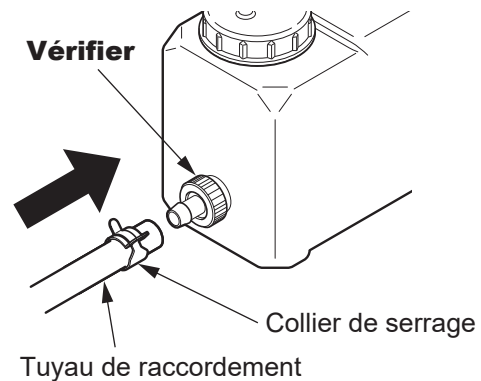
- Ne pas laisser de coques ou de plis excessifs dans le tuyau.
- Vérifier que tous les écrous du capuchon sont serrés.  
En cas contraire, il y aura des fuites du liquide. Les vérifier périodiquement.



2. Connecter une extrémité du tuyau de raccordement au capuchon de couplage situé sur le côté du réservoir.

### Mise en garde

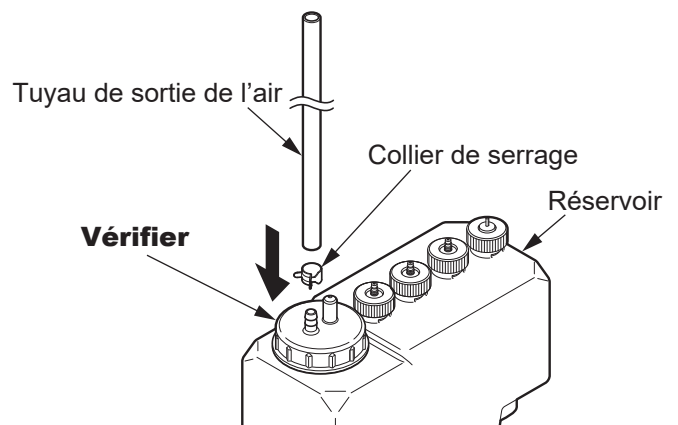
S'assurer de serrer le raccord de tuyau avec le collier de serrage pour le fixer en place.



3. Connecter le tuyau de sortie de l'air.

### Mise en garde

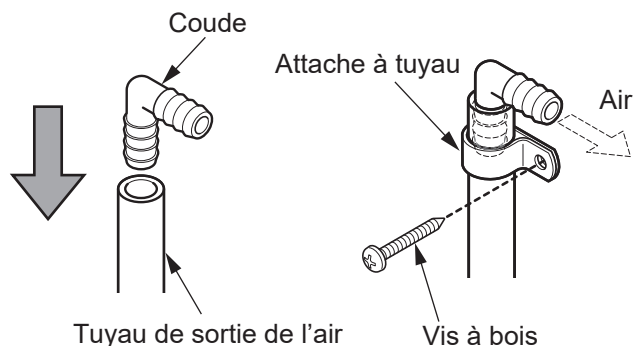
S'assurer de serrer solidement le tuyau de sortie de l'air avec le collier de serrage.



4. Fixer le coude à l'extrémité avant du tuyau de sortie de l'air, et le fixer au mur avec l'attache à tuyau et la vis à bois.

\* Ne pas bloquer le coude. Il s'agit du point de sortie de l'air pour le système. Le savon ne coulera pas correctement si le coude est bloqué.

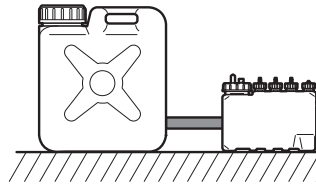
- S'assurer d'installer le coude **entre le haut du sous-réservoir et le comptoir**. Lorsque le coude est installé plus bas que le sous-réservoir, le savon déborde.
- S'assurer que l'attache à tuyau est dans la position correcte en relation avec le tuyau de sortie de l'air et le coude.



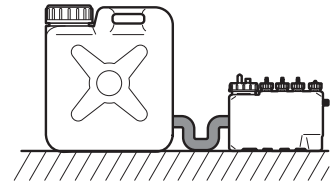
## PROCÉDURE D'INSTALLATION – Unité du sous-réservoir (suite)

- La longueur totale du tuyau de raccordement est de 16 pi 4 7/8 po (5 m). Pour assurer une performance d'alimentation suffisante, n'utilisez pas un tuyau qui excède 16 pi 4 7/8 po (5 m). Veuillez installer le tuyau horizontalement. (Il est acceptable de le placer sur le sol.)

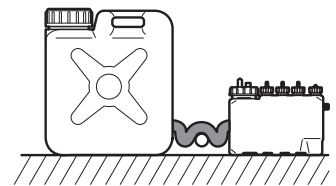
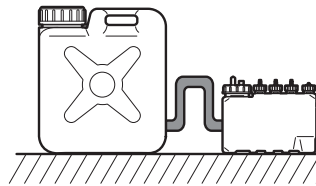
**BON**



**BON**

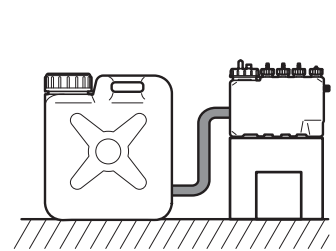
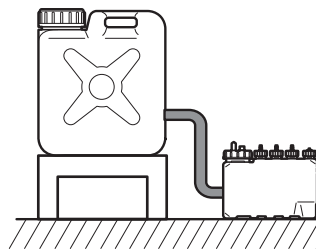


- Installer le tuyau en ligne droite. Un tuyau plié empêchera le flux régulier du savon liquide.



- Positionner les réservoirs sur une surface plane à hauteur égale. L'installation des réservoirs à différents niveaux peut entraîner les défauts de fonctionnement suivants :

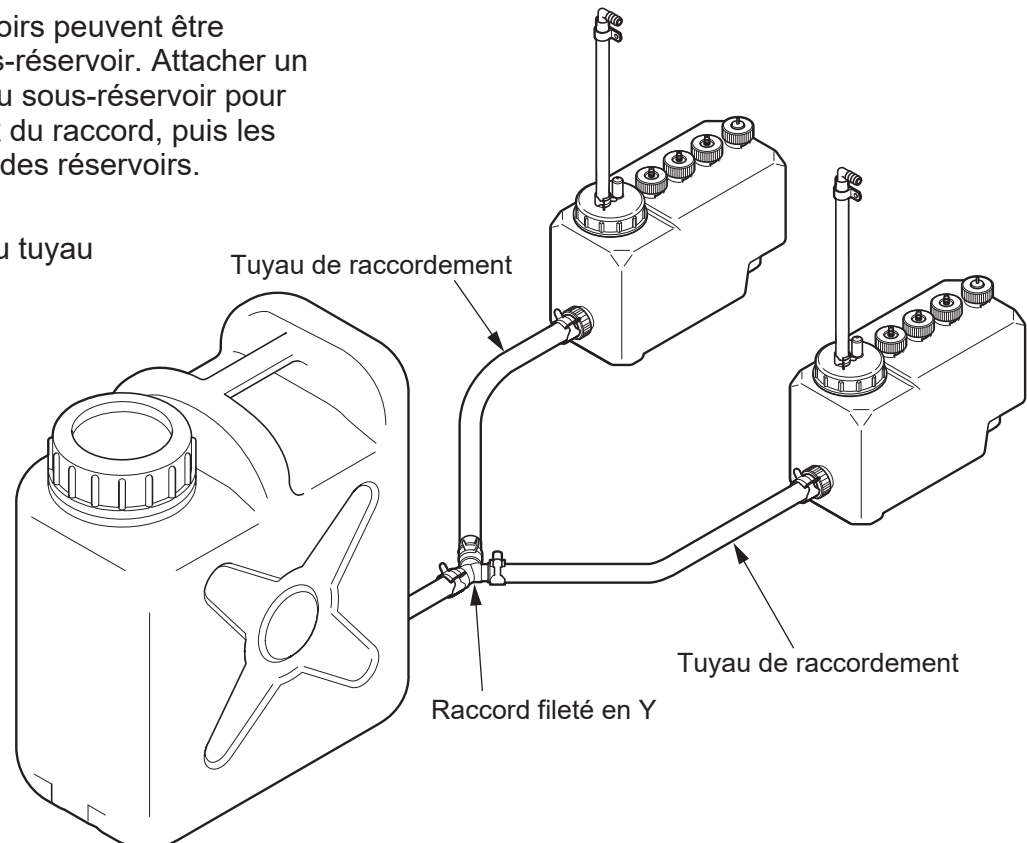
- Fuite de savon du réservoir qui est au niveau inférieur.
- Détection incorrecte du niveau de savon liquide dans le réservoir au niveau supérieur.



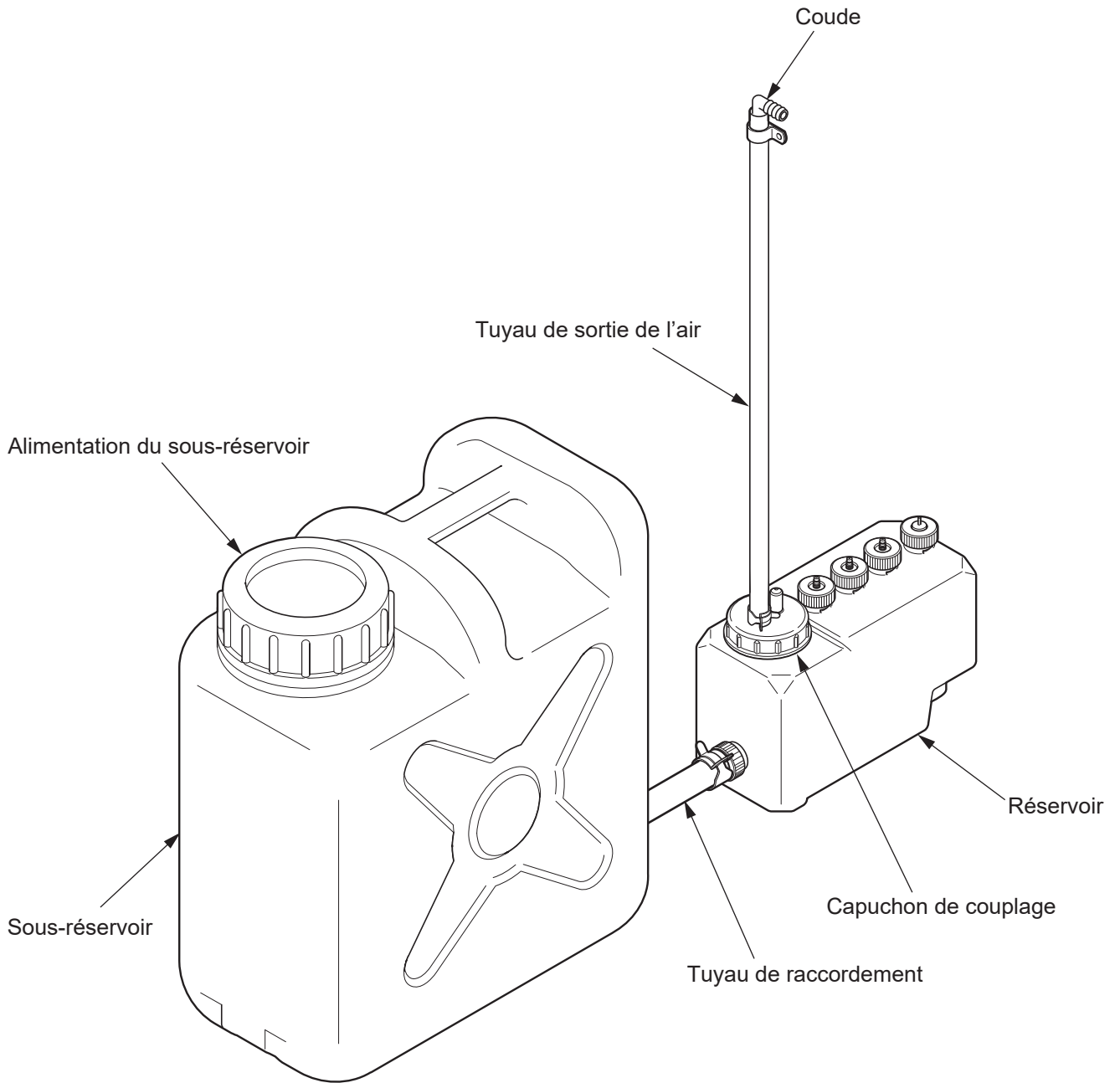
- Jusqu'à deux réservoirs peuvent être connectés à un sous-réservoir. Attacher un raccord fileté en Y au sous-réservoir pour détourner les tuyaux du raccord, puis les connecter à chacun des réservoirs.

### Remarque

Longueur maximale du tuyau  
16 pi 4 7/8 po (5 m)



## Plan de la fin de l'installation



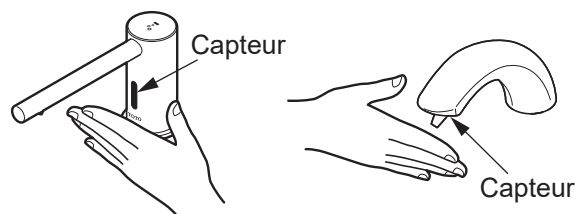
## TESTS

Une fois l'installation terminée, vérifier que le distributeur fonctionne correctement à l'aide de la méthode suivante.

### Vérification une fois l'installation terminée.

Une fois l'installation terminée, tester le produit à l'aide de la procédure suivante.

1. Déplacer le mode vers le mode de vérification de l'installation.  
Lorsque votre main est maintenue durant environ 8 s sous le capteur pendant les 10 premières minutes suite à l'activation de l'alimentation, le mode passe à « Mode installation »  
Pendant la détection, la pompe à savon liquide est actionnée et le savon liquide continue de sortir.  
(au maximum 30 s)  
Le savon liquide s'arrête lorsque votre main quitte le capteur.  
Utiliser cette fonction pour remplir une voie d'écoulement vide avec du savon liquide.

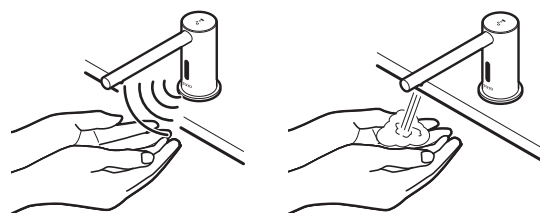


### Mise en garde

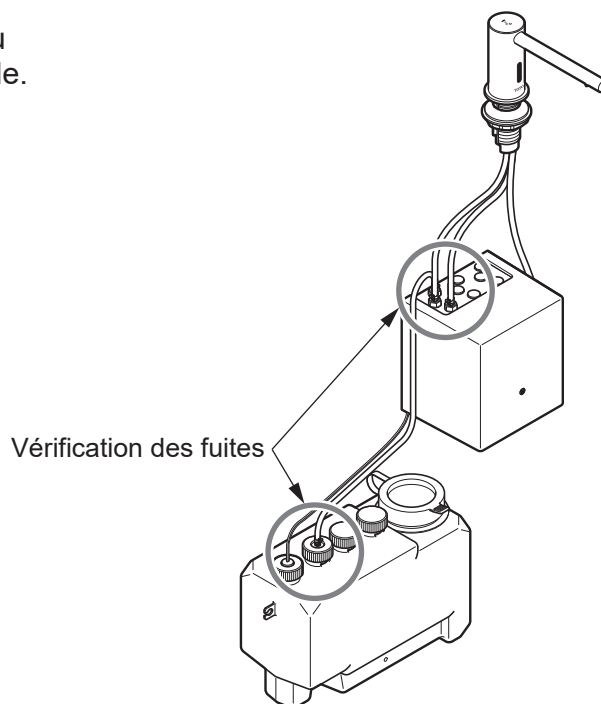
- Si plus de 10 minutes s'écoulent depuis l'activation, retirer la prise d'alimentation et l'insérer à nouveau.
- Lors du débranchement et du rebranchement de la prise d'alimentation, laisser la prise débranchée pendant plus de 10 s avant de la rebrancher.

2. Distribuer et arrêter le savon liquide.

- Le savon liquide sort lorsque vous placez votre main sous le capteur.
- Le savon liquide s'arrête lorsque votre main quitte le capteur.



3. Vérifiez le réservoir et le raccord du tuyau du savon liquide pour toute fuite de savon liquide.

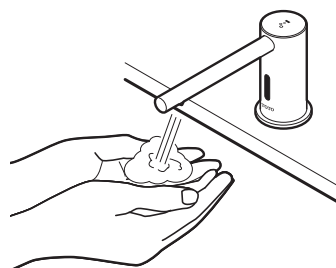
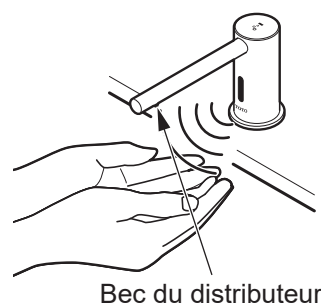


### Mise en garde

Si le produit n'est pas utilisé durant une longue période après l'installation, le savon liquide restant sèche dans le tuyau et la distribution est faible. Par conséquent, effectuer **l'essai avec de l'eau**. Après l'essai, laisser l'eau accumulée dans le réservoir tel quel, et le remplacer avec du savon liquide au début de l'utilisation réelle.

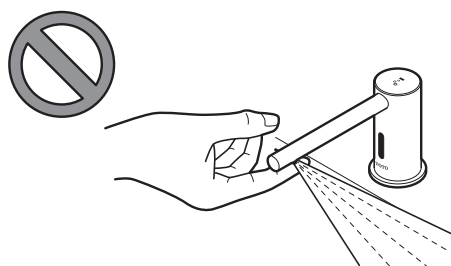
### Placer les mains sous le bec du distributeur.

- Lorsque le capteur détecte les mains d'une personne, il distribue un savon liquide mousseux.
  - Le temps de distribution est d'environ 0,5 s.
  - La distribution s'arrête lorsque la main est retirée du distributeur.
  - Si les mains restent devant le distributeur, le savon liquide mousseux sera à nouveau distribué après un délai d'environ 3 s. Ce processus peut être répété jusqu'à trois fois.
  - Afin d'éviter une utilisation abusive, le distributeur de savon liquide s'arrêtera après 3 fois, mais une nouvelle distribution est possible en déplaçant les mains et en les plaçant à nouveau devant le distributeur.
- \* Cette fonction ne s'exécute pas pendant les 10 premières minutes après l'activation de l'alimentation.  
(Voir « Mode installation » sur la page 70)



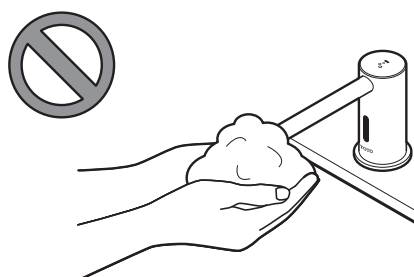
### Veillez ne pas obstruer l'ouverture du bec du distributeur.

Le savon pourrait être éjecté avec force dans une direction inattendue.



### Veillez ne pas mettre de mousse sur le bout du distributeur. Le blocage du capteur pourrait causer un mauvais fonctionnement.

Lorsque le bout est bloqué, veuillez essuyer les débris à l'aide d'un linge humide.

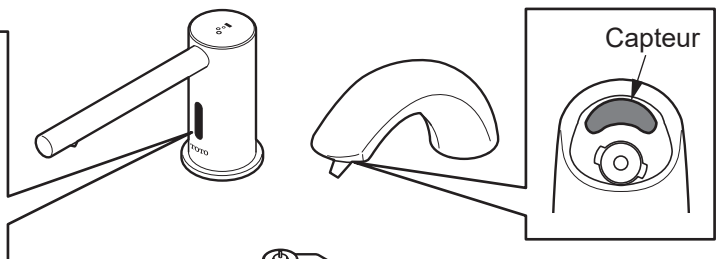
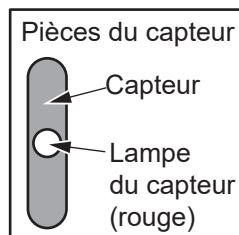




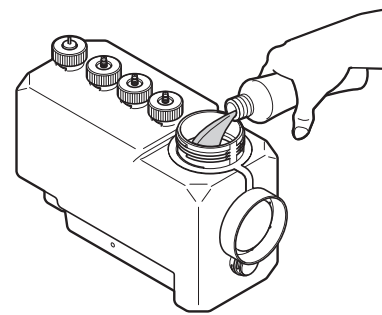
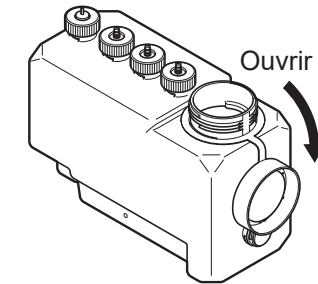
## REPLISSAGE DU RÉSERVOIR

Veillez remplir le réservoir avec du savon liquide lorsque la lampe du capteur interne (rouge) commence à clignoter.

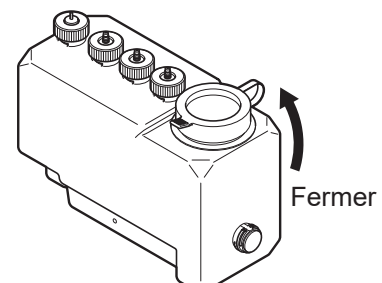
1. Enlever le capuchon du réservoir.



2. Verser lentement le savon liquide dans le réservoir de retenue.  
Garder l'œil sur le niveau du savon liquide alors que vous le versez lentement afin qu'il ne devienne pas mousseux. Veillez verser le savon liquide à travers le filtre intégré.



3. Refermer solidement le capuchon du réservoir.  
S'assurer que le capuchon est solidement en place après avoir rempli le réservoir.



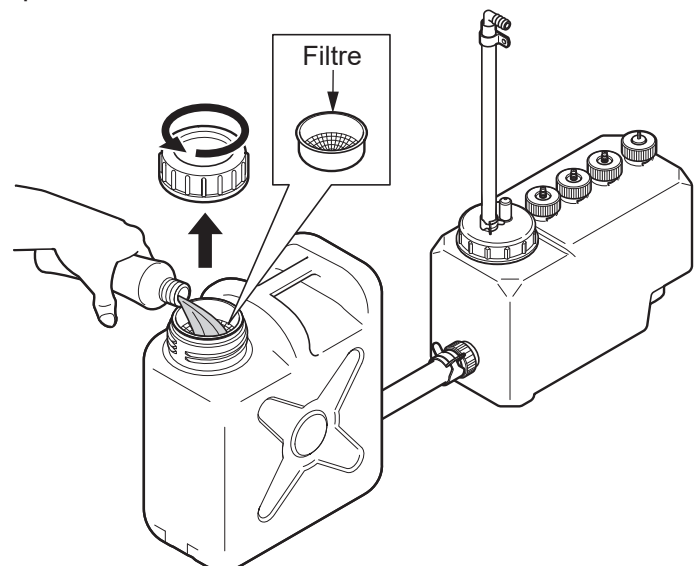
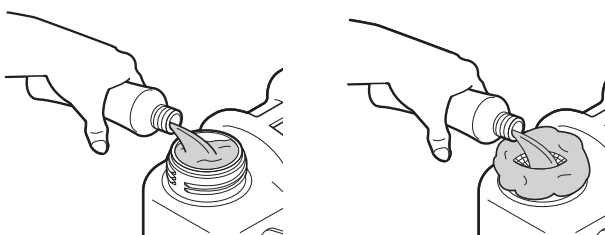
Remplissage du sous-réservoir  
(uniquement si un sous-réservoir a été installé).

Lorsqu'un sous-réservoir a été installé, veuillez remplir le savon liquide par l'ouverture du sous-réservoir.

### Remarque

Verser le savon lentement pour éviter les bulles dans le réservoir.

- Si le savon est très lent à drainer dans le réservoir ou s'il se produit un excès de bulles, veuillez nettoyer le filtre et l'espace autour du capuchon.

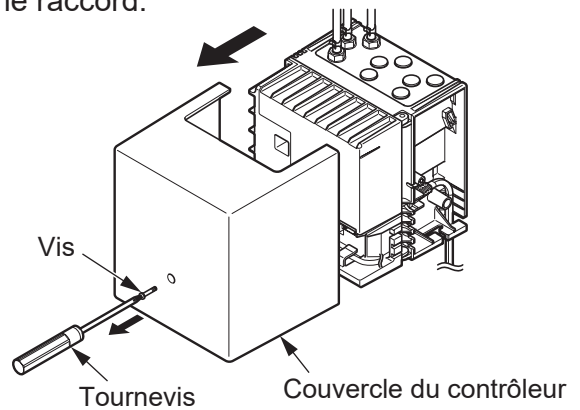


## RÉGLAGE DU MODE

### Réglage du volume de distribution du savon liquide

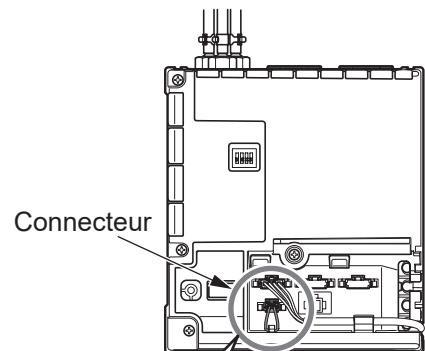
Le volume de distribution du savon liquide a été ajusté à 0,04 oz (1,2 ml) avant d'être expédié de l'usine. Ce volume peut être modifié à 0,06 oz (2 ml) en retirant le raccord.

1. Enlever le couvercle du contrôleur.

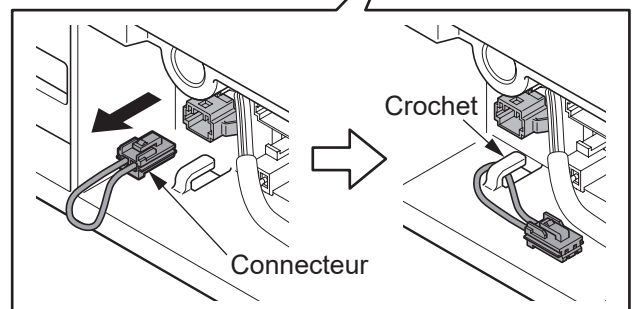


2. Enlever le cordon du raccord du crochet.

3. Retirer le raccord.



4. Accrocher le raccord sur le crochet.  
(Pour éviter toute perte)



5. Monter le couvercle du contrôleur.

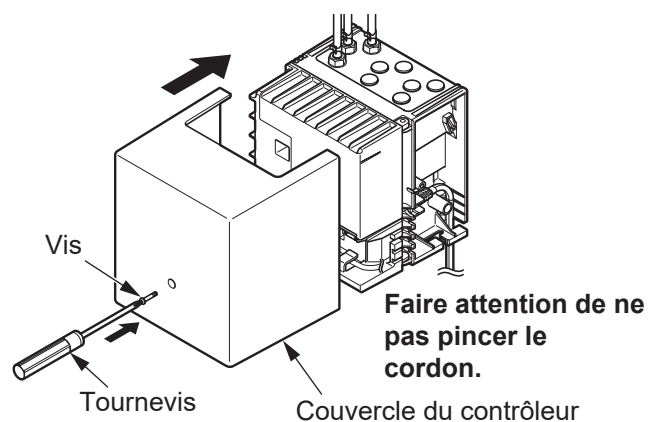
#### Mise en garde

Serrer solidement les vis.

Si l'eau a éclaboussé au-dessus du réservoir, l'eau peut pénétrer dans le contrôleur et causer des dommages.

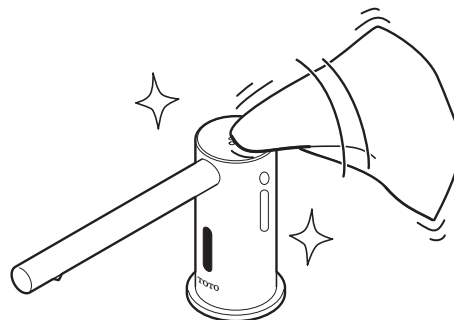
#### Remarque

Si le raccord est à nouveau connecté, le volume de distribution du savon liquide revient à 0,04 oz (1,2 ml).



## Pour un nettoyage léger

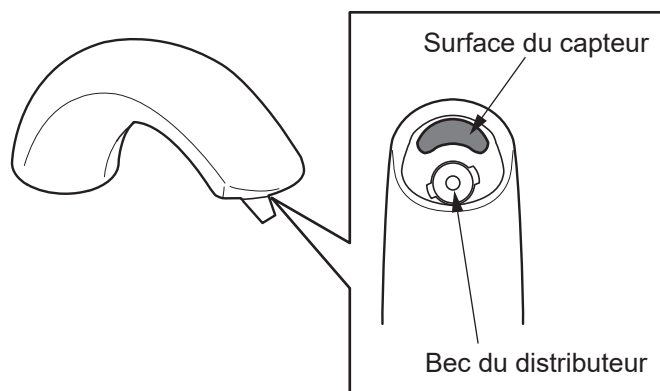
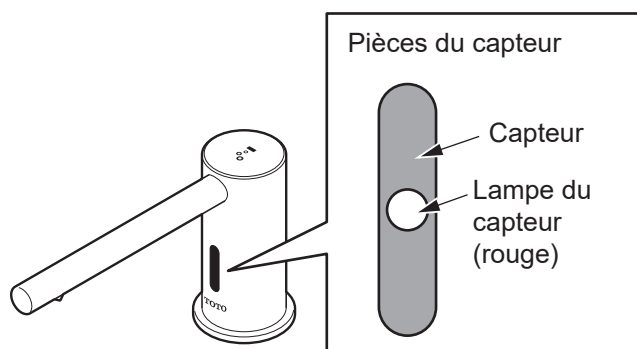
Veillez utiliser un linge trempé dans l'eau et essuyez tous les débris adhérant au distributeur ou au capteur.



## Pour un nettoyage intensif

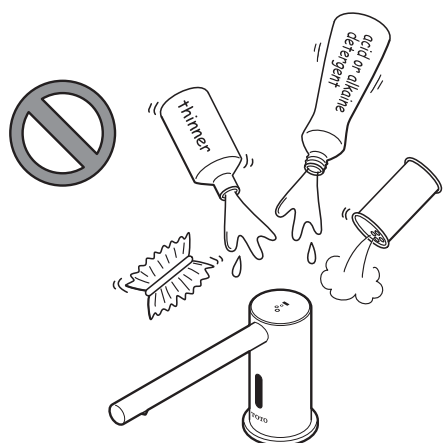
Après avoir essuyé les débris avec un linge contenant une quantité appropriée d'un détergent neutre pour vaisselle, essuyer avec un linge humide.

Lors du nettoyage autour du capteur, veiller à ne pas rayer la surface du capteur.



Veillez éviter d'utiliser des détergents qui peuvent égratigner la surface du distributeur. Ceux-ci comprennent :

- Les détergents contenant de l'acide, de l'eau de Javel ou de l'alcali.
- Les solvants comme le diluant à peinture ou le benzène.
- Les détergents avec des granulés grossiers, ou de la poudre ou un nettoyant à polir. Des tampons à récurer en nylon et à chaudrons, des brosses, etc.



## ENTRETIEN PÉRIODIQUE – Buse

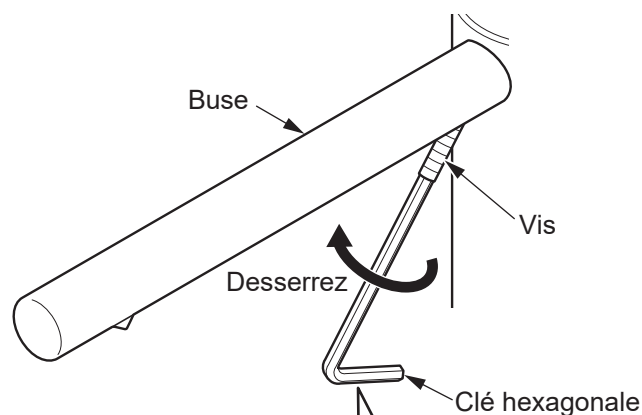
[ Pour le modèle TLK0700\*G ]

**Nettoyez la buse périodiquement car le savon ne peut s'écouler si elle est obstruée.**

1. Débranchez l'appareil de la prise de courant.
2. Utilisez la clé hexagonale incluse pour desserrer délicatement, puis retirer la vis. (Faites à peu près sept [7] tours de la clé hexagonale.)

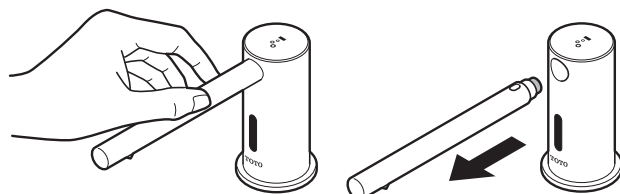
### Mise en garde

Si vous nettoyez la buse dans un évier, ne manquez pas de recouvrir l'orifice du drain afin d'éviter d'y perdre de petites pièces.



Veillez à bien insérer la clé hexagonale à fond avant de desserrer la vis. Si cette clé n'est pas insérée bien comme il faut, la douille (tête) de la vis risque d'être déformée sous l'effort et de devenir ainsi inutilisable.

3. Tirez sur la buse, puis enlevez-la après avoir desserré la vis.

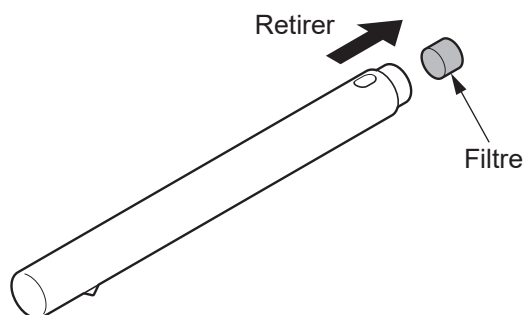


4. Pincez le filtre, puis retirez-le hors de la buse.

5. Laissez la buse et le filtre tremper dans une eau chaude pendant quelques minutes.

### Remarque

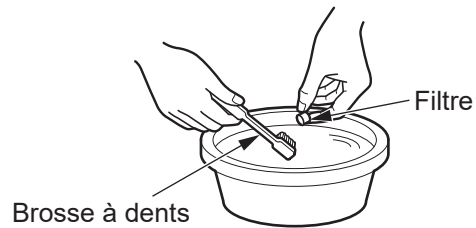
Ceci facilitera l'enlèvement de toute trace de savon ayant pu se coller à la buse.



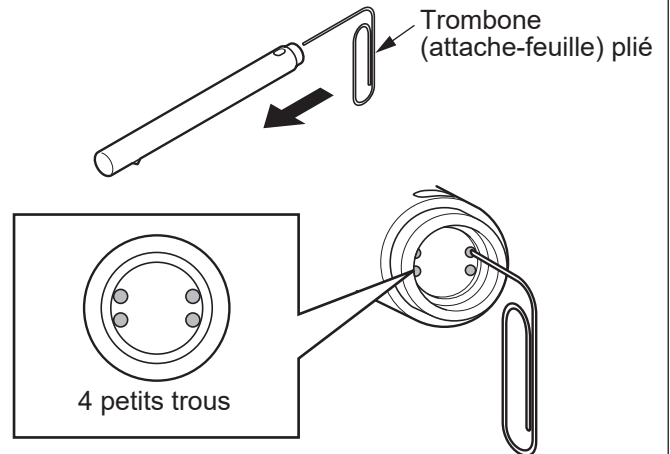
## ENTRETIEN PÉRIODIQUE – Buse (suite)

6. Retirez le filtre de l'eau chaude, puis nettoyez-le à l'aide d'une brosse douce.

Rincez le filtre, et séchez-le à l'aide d'un chiffon doux.



7. Retirez la buse de l'eau chaude. À l'aide d'un trombone (attache-feuilles) plié, débloquez les 4 petits trous de l'orifice d'entrée du savon.

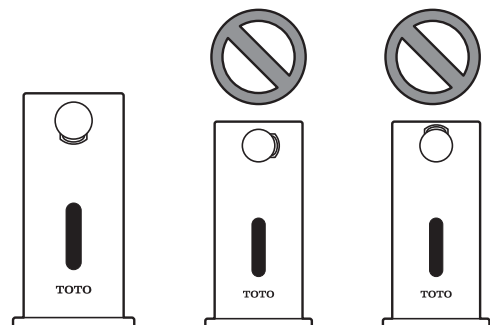


8. Fixez le filtre à la buse une fois ce nettoyage terminé. Utilisez la clé hexagonale pour assujettir la buse au bec verseur à l'aide de la vis.

Insérez la buse dans le bec verseur jusqu'à ce que le trou de vis ne soit plus visible.

Assurez-vous que la buse est bien fixée, fermement assujettie en place.

### Comment fixer la buse

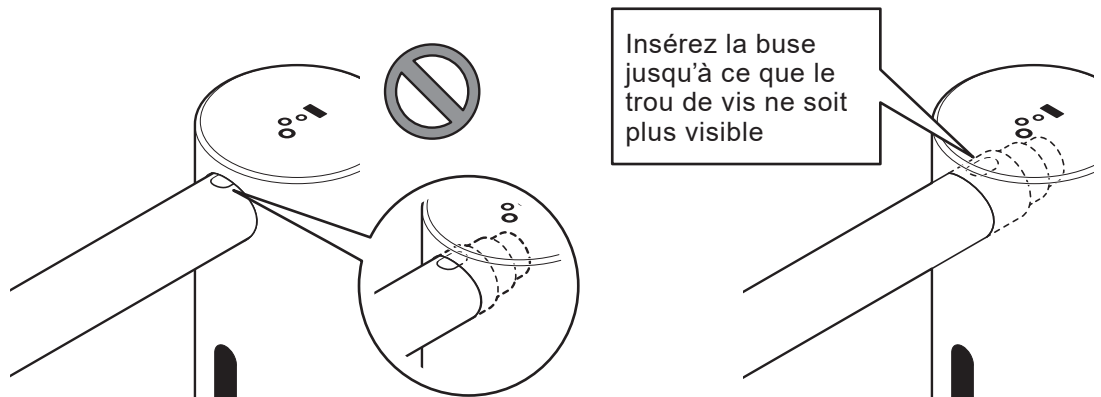


### Attention

Toujours fixer la buse **de manière à ce que l'orifice de sortie soit orienté vers le bas**. Autrement, le savon risque de se déverser n'importe où.

### Remarque

Actionnez le distributeur pour vous assurer qu'il ne fuit pas.

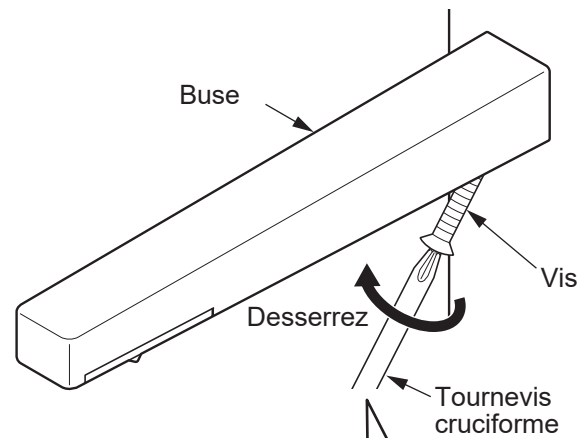


## ENTRETIEN PÉRIODIQUE – Buse (suite)

[ Pour le modèle TLK0800\*G ]

**Nettoyez la buse périodiquement car le savon ne peut s'écouler si elle est obstruée.**

1. Débranchez l'appareil de la prise de courant.
2. Utilisez un tournevis cruciforme pour desserrer puis retirer la vis.  
(Faites environ dix [10] tours de tournevis.)

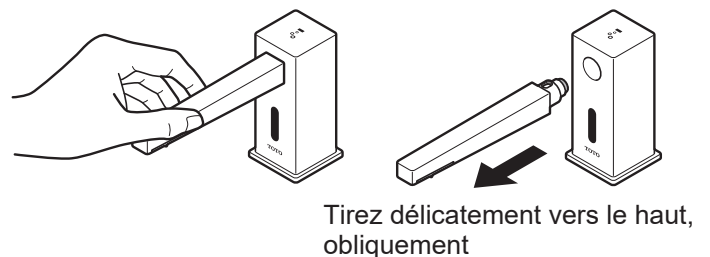


Veillez à bien insérer la pointe du tournevis à fond avant de tenter de desserrer la vis. Si la pointe du tournevis cruciforme n'est pas correctement insérée, la tête de la vis risque d'être déformée sous l'effort.

### Mise en garde

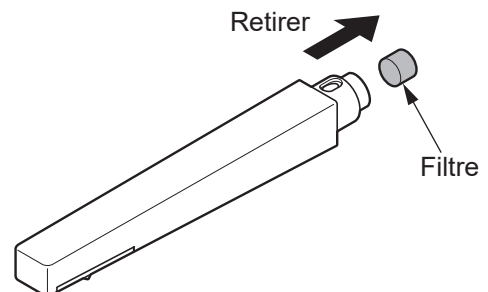
Si vous nettoyez la buse dans un évier, ne manquez pas de recouvrir l'orifice du drain afin d'éviter d'y perdre de petites pièces.

3. Une fois la vis complètement détachée, tirez sur la buse pour l'enlever de l'installation.



4. Pincez le filtre, puis retirez-le hors de la buse.

5. Laissez la buse et le filtre tremper dans une eau chaude pendant quelques minutes.



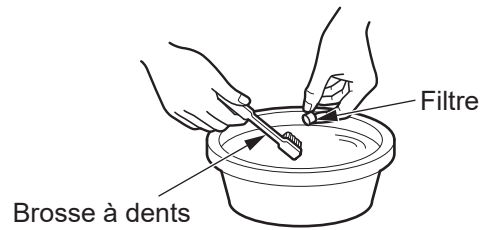
### Remarque

Ceci facilitera l'enlèvement de toute trace de savon ayant pu se coller à la buse.

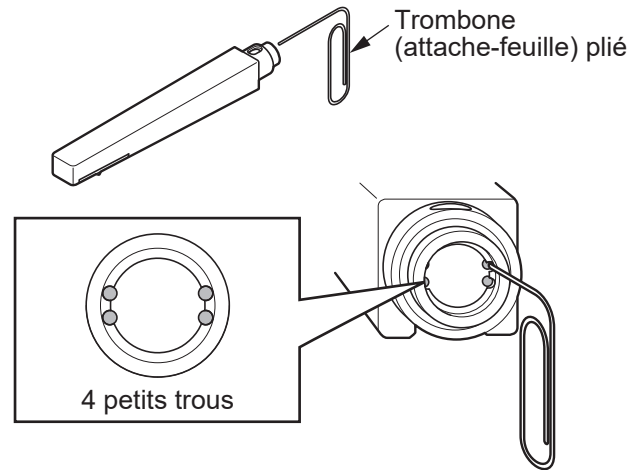
## ENTRETIEN PÉRIODIQUE – Buse (suite)

6. Retirez le filtre de l'eau chaude, puis nettoyez-le à l'aide d'une brosse douce.

Rincez le filtre, et séchez-le à l'aide d'un chiffon doux.



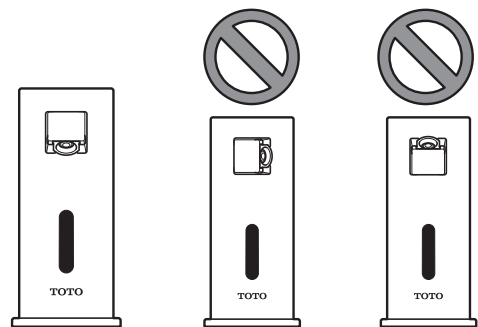
7. Retirez la buse de l'eau chaude. À l'aide d'un trombone (attache-feuilles) plié, débloquez les 4 petits trous de l'orifice d'entrée du savon.



8. Fixez le filtre à la buse une fois ce nettoyage terminé.

À l'aide d'un tournevis cruciforme, fixez la buse au bec verseur avec la vis.

### Comment fixer la buse



### Attention

Toujours fixer la buse **de manière à ce que l'orifice de sortie soit orienté vers le bas**. Autrement, le savon risque de se déverser n'importe où.

### Remarque

Actionnez le distributeur pour vous assurer qu'il ne fuit pas.



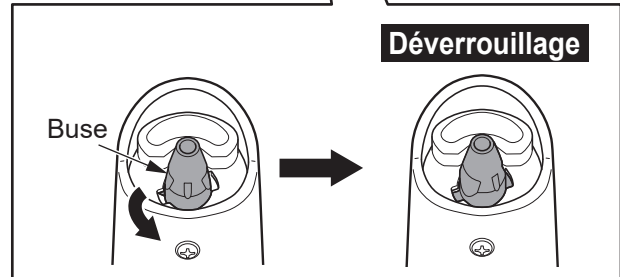
## ENTRETIEN PÉRIODIQUE – Buse (suite)

1. Retirer la prise d'alimentation.

2. Tourner la buse à la main pour la déverrouiller.



3. Prendre la partie en saillie de la buse avec un outil comme une pince à long nez, et retirer la buse et le filtre.



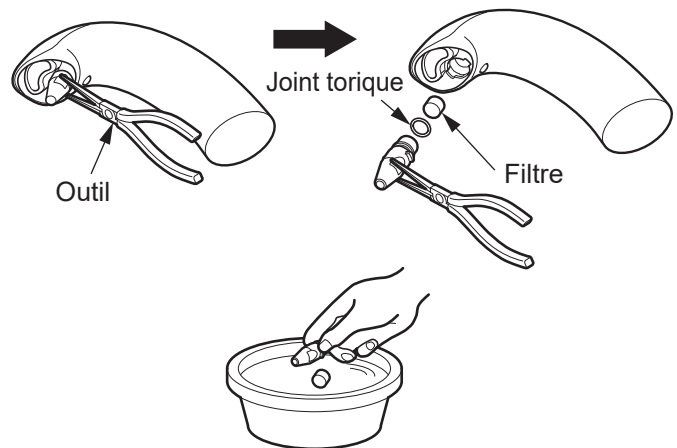
4. Nettoyer (laver avec de l'eau) la buse et le filtre.

### Mise en garde

Si vous lavez la buse dans un lavabo, bloquez l'entrée du drain. Cette pièce est petite et elle pourrait se perdre.

### Remarque

Après les avoir lavés avec de l'eau, essuyer l'humidité avec un linge doux et sec. La saleté est supprimée plus facilement si l'eau chaude est utilisée lors du nettoyage.



5. Une fois la buse et le filtre lavés, les remonter.

Lors du remontage de la buse, tournez-la à la main de sorte qu'elle se **verrouille avec le trou de déversement vers le bas**.

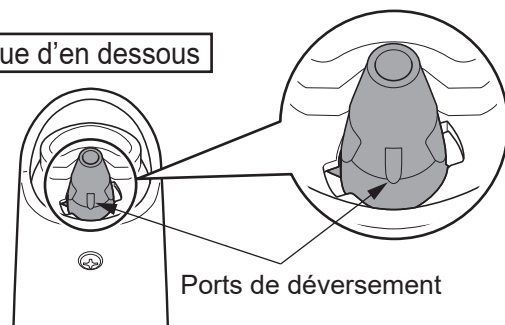
\* La buse est conçue pour ne pas s'insérer à l'envers.

### Remarque

Une fois la buse montée, activer le savon liquide et s'assurer que l'eau ne fuit pas de l'extérieur de la buse.

### • Comment monter la buse

Vue d'en dessous



\* S'assurer de monter la buse de sorte que le trou de déversement soit sur le côté inférieur. Sinon, le savon liquide peut fuir.



## ENTRETIEN PÉRIODIQUE – À l'intérieur du réservoir

Afin d'utiliser le produit confortablement, nettoyer l'intérieur du réservoir en utilisant la procédure suivante.

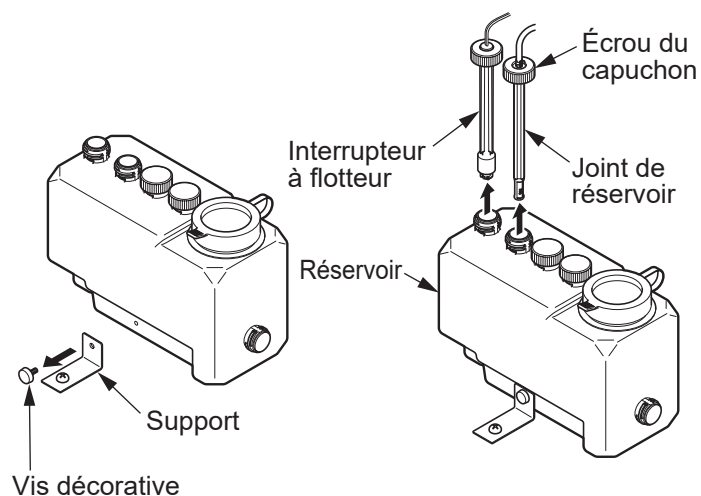
### [Réservoir de type 3 L (0,8 gallon)]

1. Enlever l'écrou du capuchon, puis retirer l'interrupteur à flotteur et le joint de réservoir du réservoir.

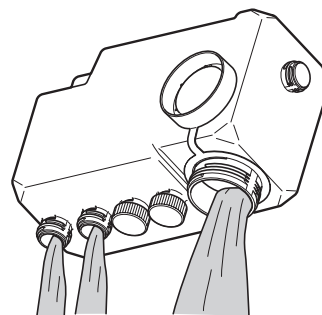
#### Remarque

Ranger l'interrupteur à flotteur et le joint de réservoir dans un seau ou autre, pour éviter que la poussière n'y adhère.

2. Enlever le support.  
Si le réservoir est ancré sur le sol ou le mur, tourner la vis décorative à la main et démonter le réservoir.



3. Laver le réservoir.

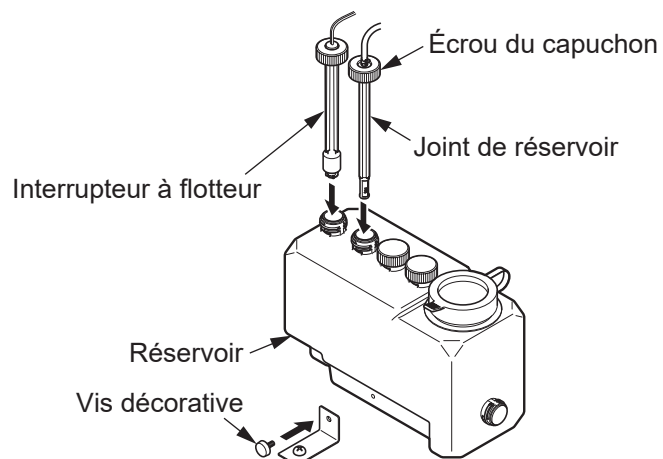


4. Replacer le réservoir dans sa position originale.
5. Replacer l'interrupteur à flotteur et le joint de réservoir.

#### Remarque

Monter sans faute le module entre le joint de réservoir et le réservoir.

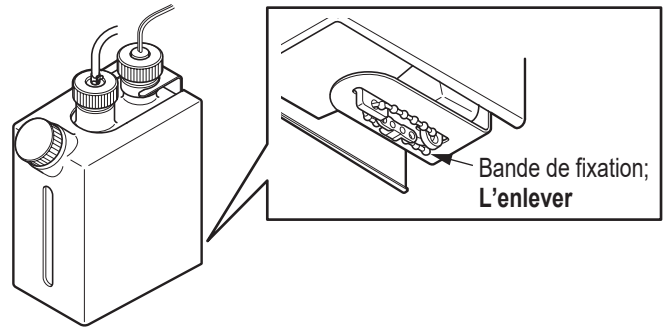
6. Monter le réservoir sur le support d'ancrage.



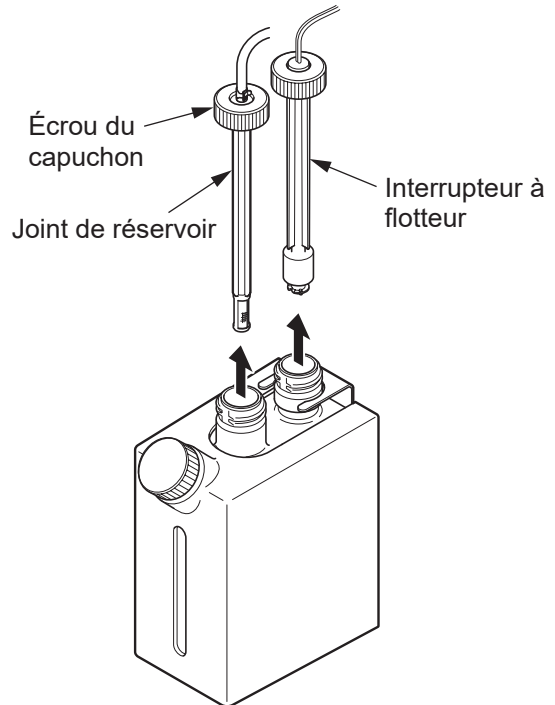
## ENTRETIEN PÉRIODIQUE – À l'intérieur du réservoir (suite)

### [Réservoir de type 1 L (0,26 gallon) (Commande spéciale)]

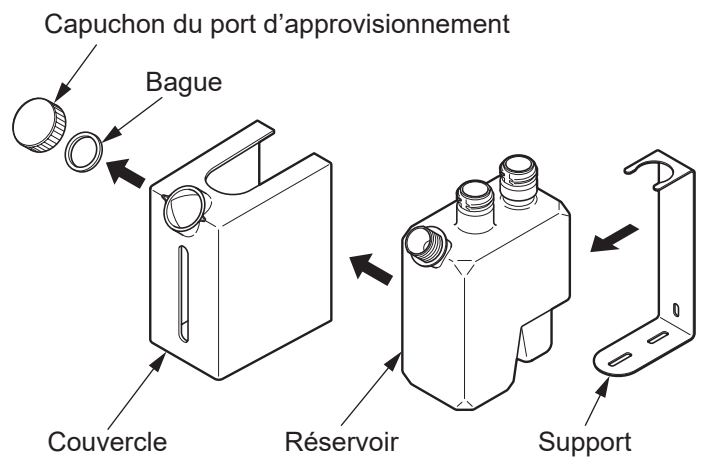
1. Enlever le support d'en dessous du réservoir.



2. Enlever l'écrou du capuchon et retirer l'interrupteur à flotteur et le joint de réservoir.

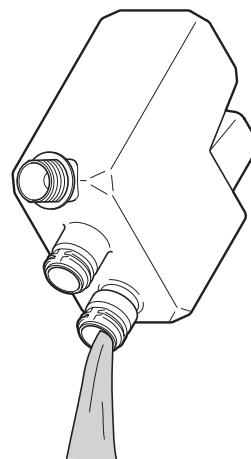


3. Enlever le capuchon du port d'alimentation et de l'anneau.
4. Enlever le couvercle et démonter le réservoir du support.



## ENTRETIEN PÉRIODIQUE – À l'intérieur du réservoir (suite)

5. Laver le réservoir.

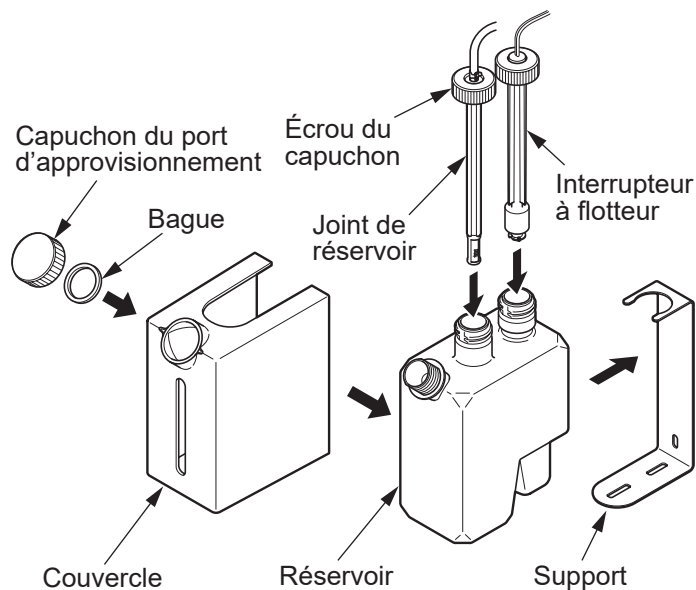


6. Replacer le réservoir dans sa position originale.

7. Monter l'interrupteur à flotteur et le joint de réservoir.

8. Monter le couvercle, la bague et le capuchon du port d'approvisionnement.

9. Monter le support à partir du bas du réservoir.



### Une fois par mois

Vérifiez tous les raccords de tuyaux pour tout signe de fuites.

### Deux fois par an

Vérifier tous les raccords fixes, et resserrer au besoin.

## NON-UTILISATION À LONG TERME

S'il est anticipé que le distributeur ne sera pas utilisé pendant de longues périodes, enlever tout le savon du distributeur en utilisant la méthode suivante.

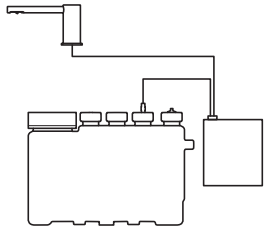
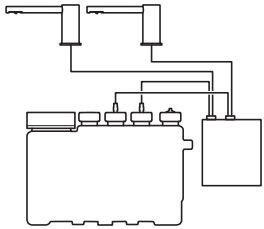
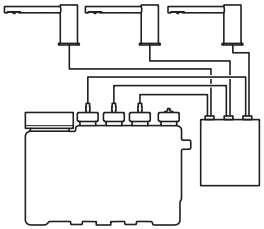
1. Enlever le savon du réservoir et laver le réservoir avec de l'eau.
2. Remplir le réservoir avec de l'eau et installer le distributeur comme d'habitude.
3. Rincer le conduit avec de l'eau en activant le distributeur jusqu'à ce qu'aucun savon ne sorte du bec. Remplir de nouveau avec de l'eau si nécessaire.
4. Jeter l'eau restante dans le réservoir et laisser sécher le réservoir.
5. Débrancher l'alimentation électrique jusqu'à ce que l'utilisation reprenne.

## DÉPANNAGE

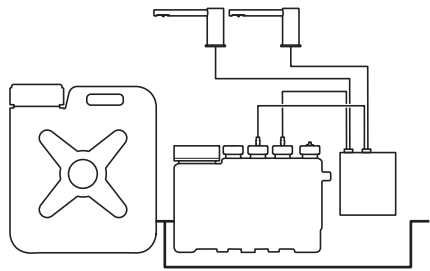
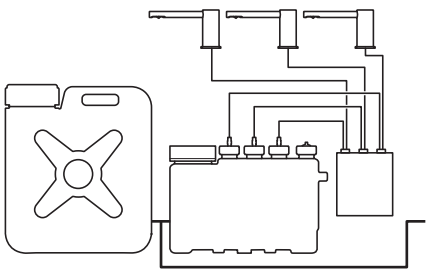
Problème	Fonctionnement	Cause	Solution
Aucun savon ne sort	DEL rouge clignote	Le niveau du savon est bas	Remplir le réservoir avec du savon liquide
		Obstruction devant la fenêtre du capteur	Enlever l'obstruction
	DEL rouge s'allume	La pompe ne fonctionne pas correctement	-
	-	La fenêtre du capteur est sale	Nettoyer la fenêtre du capteur
	-	La fenêtre du capteur est déconnectée	Connecter le câble
	-	L'alimentation électrique est déconnectée	Connecter le câble
	-	Le tuyau est débranché	Connecter le tuyau
Le savon n'arrête pas de sortir	-	La fenêtre du capteur est sale	Nettoyer la fenêtre du capteur
Il ne distribue pas de mousse	-	Le tuyau d'air (bleu) est débranché	Connecter le tuyau d'air
	-	La viscosité du savon est élevée	Utiliser dorénavant un savon liquide approuvé par TOTO
Le savon sort de façon inattendue	-	Le savon sera automatiquement distribué après 72 heures de non-usage pour éviter l'obstruction.	-
La quantité de savon distribuée est faible	-	La viscosité du savon est élevée	Utiliser dorénavant un savon liquide approuvé par TOTO
	-	Le filtre est obstrué	Nettoyer le filtre

# SPÉCIFICATIONS

## Ne pas utilisation avec sous-réservoir

No de modèle de trousse		TES201A*#\$\$	TES201A*i2#\$\$	TES202A*#\$\$	TES202A*i2#\$\$	TES203A*#\$\$	TES203A*i2#\$\$
COMPO-SANTS	Becs	TLK0700*G TLK0800*G #\$\$ x 1 TLK03001G		TLK0700*G TLK0800*G #\$\$ x 2 TLK03001G		TLK0700*G TLK0800*G #\$\$ x 3 TLK03001G	
	Contrôleur & Réservoir	TLK01101UA x 1	TLK01101Ui2 x 1 (TLK01101U1A & Carte fille)	TLK01102UA x 1	TLK01102Ui2 x 1 (TLK01102U1A & Carte fille)	TLK01103UA x 1	TLK01103Ui2 x 1 (TLK01103U1A & Carte fille)
Configuration							
Caractéristiques	Alimentation électrique	AC 120 V					
	Puissance	4 W		6,5 W		9 W	
	Plage de détection du capteur	– 5 1/8 po à 7 7/8 po (– 130 à 200 mm) le capteur s'adapte automatiquement					
	Température ambiante	– 1 à 40°C (– 34 à 104°F)					
	Humidité	Max. HR 90%					
	Longueur du cordon d'alimentation électrique	55 po (1,4 m)					
	Volume du savon	1,2 ml (0,04 oz) (paramètre de l'usine)					
Capacité du réservoir	Environ 3 L (0,8 gallon) (capacité utilisable)						

## SPÉCIFICATIONS (suite)

Utilisation avec sous-réservoir					
No de modèle de trousse		TES204A*#\$\$	TES204A*i2#\$\$	TES205A*#\$\$	TES205A*i2#\$\$
<b>COMPO-SANTS</b>	Becs	TLK0700*G TLK0800*G #\$\$ x 2 TLK03001G		TLK0700*G TLK0800*G #\$\$ x 3 TLK03001G	
	Contrôleur & Réservoir	TLK01106UA x 1	TLK01106Ui2 x 1 (TLK01106U1A & Carte fille)	TLK01107UA x 1	TLK01107Ui2 x 1 (TLK01107U1A & Carte fille)
	Sous-réservoir	TLK01401U x 1	TLK01401U x 1	TLK01401U x 1	TLK01401U x 1
<b>Configuration</b>					
<b>Caractéristiques</b>	Alimentation électrique	AC 120 V			
	Puissance	6,5 W		9 W	
	Plage de détection du capteur	– 5 1/8 po à 7 7/8 po (– 130 à 200 mm) le capteur s'adapte automatiquement			
	Température ambiante	– 1 à 40°C (– 34 à 104°F)			
	Humidité	Max. HR 90%			
	Longueur du cordon d'alimentation électrique	55 po (1,4 m)			
	Volume du savon	1,2 ml (0,04 oz) (paramètre de l'usine)			
Capacité du réservoir	23 L (6,1 gallon) (capacité utilisable)				

## GARANTIE LIMITÉE DE TROIS ANS

La garantie s'applique uniquement à certains robinets, vannes de purge électroniques et distributeurs de savon électroniques.

1. TOTO garantit que ses vannes de purge électroniques, robinets et distributeurs de savon (« Produit ») sont exempts de défauts de matériaux et de fabrication lors d'une utilisation normale, s'ils sont correctement installés et entretenus, pour une période de trois (3) ans à compter de la date d'achat. Cette garantie limitée est uniquement donnée à l'ACHETEUR ORIGINAL du Produit, et n'est pas transférable à une tierce partie quelle qu'elle soit, y compris, mais sans s'y limiter, tout acheteur ou propriétaire ultérieur du Produit. Cette garantie ne s'applique qu'au Produit TOTO acheté et installé en Amérique du Nord, centrale et du Sud.
2. Les obligations de TOTO en vertu de cette garantie sont limitées à la réparation, au remplacement ou à tout autre ajustement approprié, au choix de TOTO, du Produit ou des pièces jugées défectueuses en usage normal, à condition que ce Produit ait été correctement installé, utilisé et entretenu conformément aux directives. TOTO se réserve le droit d'effectuer les inspections nécessaires pour déterminer la cause du défaut. TOTO ne chargera pas de frais pour la main-d'œuvre ou les pièces liées aux réparations ou aux remplacements sous garantie. TOTO n'est pas responsable des coûts du retrait, du retour ou de la réinstallation du Produit.
3. Cette garantie ne s'applique pas aux articles suivants :
  - a. Dommages ou pertes subis dans une calamité naturelle comme un incendie, un tremblement de terre, une inondation, le tonnerre, un orage, etc.
  - b. Dommages ou pertes résultant d'un accident, d'une utilisation déraisonnable, de l'usage impropre, de l'abus, de la négligence, ou des mauvais soins, nettoyages ou entretiens du produit.
  - c. Dommages ou pertes résultant de sédiments ou de matières étrangères contenues dans un réseau de distribution d'eau.
  - d. Dommages ou pertes résultant de l'installation incorrecte, ou de l'installation du produit dans un environnement hostile ou dangereux, ou d'un enlèvement, d'une réparation ou d'une modification inappropriée du produit.
  - e. Dommages ou pertes résultant de surtensions électriques ou d'éclairs, ou d'autres actes qui ne sont pas la faute de TOTO ou dont le produit n'est pas conçu pour tolérer.
  - f. Dommages ou pertes résultant de l'usure normale et habituelle, tels que la réduction du fini brillant, les rayures ou la décoloration au fil du temps en raison de l'utilisation, des pratiques de nettoyage, des conditions atmosphériques ou de l'eau, y compris, mais sans s'y limiter, l'utilisation d'eau de Javel, d'alcalis, de nettoyants acides, de nettoyants secs (en poudre) ou de tout autre nettoyant abrasif, ou l'utilisation de tampons à récurer en métal ou en nylon.
4. Une preuve d'achat est requise pour que cette garantie limitée soit valide. TOTO encourage l'enregistrement de la garantie à l'adresse <http://www.totousa.com> immédiatement après l'achat, afin de créer un dossier de propriété du produit. L'enregistrement du produit est entièrement volontaire et le défaut d'enregistrement ne diminuera pas vos droits sous la garantie limitée.
5. CETTE GARANTIE VOUS DONNE DES DROITS JURIDIQUES PARTICULIERS. IL SE PEUT QUE VOUS AYEZ D'AUTRES DROITS QUI VARIENT D'UN ÉTAT À L'AUTRE, D'UNE PROVINCE À L'AUTRE OU D'UN PAYS À L'AUTRE.
6. Pour obtenir un service de réparation en vertu de cette garantie, vous devez emmener le Produit ou le livrer prépayé à un centre de services TOTO, accompagné d'une preuve d'achat (reçu de vente original) et d'une lettre indiquant le problème, ou vous devez communiquer avec un distributeur TOTO ou un fournisseur de services pour produits TOTO, ou écrire directement à TOTO U.S.A., INC., 1155 Southern Road, Morrow, GA 30260 1 888 295-8134, ou 678 466-1300 si vous êtes à l'extérieur des États-Unis. Si, en raison de la taille du Produit ou de la nature du défaut, le Produit ne peut pas être retourné à TOTO, la réception par TOTO de l'avis écrit du défaut ainsi que la preuve d'achat (reçu de vente original) sera acceptée comme la livraison. Dans ce cas, TOTO peut choisir de réparer le Produit sur le site de l'acheteur, ou payer pour le transport du Produit vers une installation de service.

**CETTE GARANTIE ÉCRITE EST LA SEULE GARANTIE OFFERTE PAR TOTO. LA RÉPARATION, LE REMPLACEMENT OU TOUT AUTRE AJUSTEMENT APPROPRIÉ COMME PRÉVU EN VERTU DE CETTE GARANTIE SERONT L'UNIQUE RECOURS DISPONIBLE À L'ACHETEUR ORIGINAL. TOTO NE SERA PAS RESPONSABLE DE LA PERTE DU PRODUIT OU D'AUTRES DOMMAGES OU DÉPENSES INDIRECTS, SPÉCIAUX OU CONSÉCUTIFS ENCOURUS PAR L'ACHETEUR ORIGINAL, OU POUR LES COÛTS DE MAIN-D'ŒUVRE OU D'AUTRES COÛTS LIÉS À L'INSTALLATION OU À L'ENLÈVEMENT, OU DES COÛTS DE RÉPARATION PAR D'AUTRES, OU POUR TOUTE AUTRE DÉPENSE N'ÉTANT PAS SPÉCIFIQUEMENT MENTIONNÉE CI-DESSUS. LA RESPONSABILITÉ DE TOTO NE DÉPASSERA EN AUCUN CAS LE PRIX D'ACHAT DU PRODUIT. SAUF DANS LES LIMITES INTERDITES PAR LES LOIS EN VIGUEUR, TOUTE GARANTIE IMPLICITE, Y COMPRIS CELLE DE LA QUALITÉ MARCHANDE OU DE L'APTITUDE À L'EMPLOI OU À UNE FIN PARTICULIÈRE EST EXPRESSÉMENT REJETÉE. CERTAINS ÉTATS N'AUTORISENT PAS DE LIMITATIONS QUANT À LA DURÉE D'UNE GARANTIE IMPLICITE, OU L'EXCLUSION OU LA LIMITATION DES DOMMAGES ACCESSOIRES OU CONSÉCUTIFS, DONC LA LIMITATION ET L'EXCLUSION CI-DESSUS PEUVENT NE PAS S'APPLIQUER À VOUS.**

## ÍNDICE

OBRIGADO POR ESCOLHER A TOTO! .....	101
ADVERTÊNCIAS .....	101
ANTES DA INSTALAÇÃO .....	101
PEÇAS INCLUÍDAS .....	102
PROCEDIMENTO DE INSTALAÇÃO .....	106
TESTES .....	117
COMO USAR .....	118
REABASTECER A CAIXA .....	119
AJUSTE DE MODO .....	120
CUIDADO E LIMPEZA .....	121
MANUTENÇÃO PERIÓDICA .....	122
INATIVIDADE POR LONGO PRAZO .....	130
IDENTIFICAÇÃO E SOLUÇÃO DE PROBLEMAS .....	130
ESPECIFICAÇÕES .....	131
GARANTIA LIMITADA DE TRÊS ANOS .....	133
DIMENSÕES APROXIMADAS .....	134

## OBRIGADO POR ESCOLHER A TOTO!

A missão da TOTO é proporcionar ao mundo um estilo de vida saudável, higiênico e mais confortável. Nosso princípio orientador é projetar cada produto equilibrando forma e função. Parabéns por sua escolha.

## ADVERTÊNCIAS

Leia e siga as observações abaixo. Deixar de fazê-lo pode resultar em ferimentos e/ou danos materiais.

- Ninguém a não ser um profissional de assistência técnica deve desmontar, consertar ou modificar este produto, a menos que isso seja especificamente descrito neste manual. Deixar de fazê-lo pode causar choque elétrico ou mau funcionamento do produto.
- Não use este distribuidor em um local úmido, onde possa haver acúmulo de condensação na superfície, especialmente em uma sauna ou sala de vapor.
- Não bata nem chute o distribuidor ou a caixa do controlador, pois isso pode danificar a unidade ou causar um vazamento.
- Não use este distribuidor se a temperatura ambiente cair abaixo de zero.
- Garanta que o fio de energia não entre em contato com a linha de fornecimento de água quente.
- Evite colocar qualquer objeto na faixa de detecção do sensor infravermelho.
- Use apenas sabonete líquido aprovado pela TOTO para evitar a anulação da garantia.
- Garanta que a tomada elétrica esteja em uma posição onde não seja molhada durante o uso.

## ANTES DA INSTALAÇÃO

- Leia estas instruções com cuidado, para garantir a instalação adequada.
- A TOTO reserva a si o direito de atualizar o projeto do produto sem aviso prévio.
- Verifique se tem as peças indicadas na próxima página.



# PIEZAS INCLUIDAS

## DESCRIPÇÃO DOS COMPONENTES

OPÇÃO DE KITS		COMPONENTES							
Nº do modelo de kits	Instalação do bico	Bicos		Controlador & Caixa		Subcaixa			
		Nº do modelo	Quantidade	Nº do modelo	Quantidade	Nº do modelo	Quantidade		
Padrão	TES201AB#\$\$	1	→	TLK07001G#\$\$	1	TLK01101UA	1 (Para 1 bico)		
	TES202AB#\$\$	2	→	TLK07001G#\$\$	2	TLK01102UA	1 (Para 2 bicos)		
	TES203AB#\$\$	3	→	TLK07001G#\$\$	3	TLK01103UA	1 (Para 3 bicos)		
	TES204AB#\$\$	2	→	TLK07001G#\$\$	2	TLK01106UA	1 (Para 2 bicos)	TLK01401U	1
	TES205AB#\$\$	3	→	TLK07001G#\$\$	3	TLK01107UA	1 (Para 3 bicos)	TLK01401U	1
com placa secundária	TES201ABi2#\$\$	1	→	TLK07001G#\$\$	1	TLK01101Ui2 ( TLK01101U1A & Placa secundária )	1 (Para 1 bico)		
	TES202ABi2#\$\$	2	→	TLK07001G#\$\$	2	TLK01102Ui2 ( TLK01102U1A & Placa secundária )	1 (Para 2 bicos)		
	TES203ABi2#\$\$	3	→	TLK07001G#\$\$	3	TLK01103Ui2 ( TLK01103U1A & Placa secundária )	1 (Para 3 bicos)		
	TES204ABi2#\$\$	2	→	TLK07001G#\$\$	2	TLK01106Ui2 ( TLK01106U1A & Placa secundária )	1 (Para 2 bicos)	TLK01401U	1
	TES205ABi2#\$\$	3	→	TLK07001G#\$\$	3	TLK01107Ui2 ( TLK01107U1A & Placa secundária )	1 (Para 3 bicos)	TLK01401U	1

OPÇÃO DE KITS		COMPONENTES							
Nº do modelo de kits	Instalação do bico	Bicos		Controlador & Caixa		Subcaixa			
		Nº do modelo	Quantidade	Nº do modelo	Quantidade	Nº do modelo	Quantidade		
Padrão	TES201AD#\$\$	1	→	TLK07003G#\$\$	1	TLK01101UA	1 (Para 1 bico)		
	TES202AD#\$\$	2	→	TLK07003G#\$\$	2	TLK01102UA	1 (Para 2 bicos)		
	TES203AD#\$\$	3	→	TLK07003G#\$\$	3	TLK01103UA	1 (Para 3 bicos)		
	TES204AD#\$\$	2	→	TLK07003G#\$\$	2	TLK01106UA	1 (Para 2 bicos)	TLK01401U	1
	TES205AD#\$\$	3	→	TLK07003G#\$\$	3	TLK01107UA	1 (Para 3 bicos)	TLK01401U	1
com placa secundária	TES201ADI2#\$\$	1	→	TLK07003G#\$\$	1	TLK01101Ui2 ( TLK01101U1A & Placa secundária )	1 (Para 1 bico)		
	TES202ADI2#\$\$	2	→	TLK07003G#\$\$	2	TLK01102Ui2 ( TLK01102U1A & Placa secundária )	1 (Para 2 bicos)		
	TES203ADI2#\$\$	3	→	TLK07003G#\$\$	3	TLK01103Ui2 ( TLK01103U1A & Placa secundária )	1 (Para 3 bicos)		
	TES204ADI2#\$\$	2	→	TLK07003G#\$\$	2	TLK01106Ui2 ( TLK01106U1A & Placa secundária )	1 (Para 2 bicos)	TLK01401U	1
	TES205ADI2#\$\$	3	→	TLK07003G#\$\$	3	TLK01107Ui2 ( TLK01107U1A & Placa secundária )	1 (Para 3 bicos)	TLK01401U	1

OPÇÃO DE KITS		COMPONENTES							
Nº do modelo de kits	Instalação do bico	Bicos		Controlador & Caixa		Subcaixa			
		Nº do modelo	Quantidade	Nº do modelo	Quantidade	Nº do modelo	Quantidade		
Padrão	TES201AA#\$\$	1	→	TLK03001G#\$\$	1	TLK01101U	1 (Para 1 bico)		
	TES202AA#\$\$	2	→	TLK03001G#\$\$	2	TLK01102U	1 (Para 2 bicos)		
	TES203AA#\$\$	3	→	TLK03001G#\$\$	3	TLK01103U	1 (Para 3 bicos)		
	TES204AA#\$\$	2	→	TLK03001G#\$\$	2	TLK01106U	1 (Para 2 bicos)	TLK01401U	1
	TES205AA#\$\$	3	→	TLK03001G#\$\$	3	TLK01107U	1 (Para 3 bicos)	TLK01401U	1
com placa secundária	TES201AAi2#\$\$	1	→	TLK03001G#\$\$	1	TLK01101Ui2 ( TLK01101U1 & Placa secundária )	1 (Para 1 bico)		
	TES202AAi2#\$\$	2	→	TLK03001G#\$\$	2	TLK01102Ui2 ( TLK01102U1 & Placa secundária )	1 (Para 2 bicos)		
	TES203AAi2#\$\$	3	→	TLK03001G#\$\$	3	TLK01103Ui2 ( TLK01103U1 & Placa secundária )	1 (Para 3 bicos)		
	TES204AAi2#\$\$	2	→	TLK03001G#\$\$	2	TLK01106Ui2 ( TLK01106U1 & Placa secundária )	1 (Para 2 bicos)	TLK01401U	1
	TES205AAi2#\$\$	3	→	TLK03001G#\$\$	3	TLK01107Ui2 ( TLK01107U1 & Placa secundária )	1 (Para 3 bicos)	TLK01401U	1

## PIEZAS INCLUIDAS (continuação)

### DESCRÇÃO DOS COMPONENTES

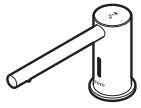
OPÇÃO DE KITS		COMPONENTES						
	Nº do modelo de kits	Instalação do bico	Bicos		Controlador & Caixa		Subcaixa	
			Nº do modelo	Quantidade	Nº do modelo	Quantidade	Nº do modelo	Quantidade
Padrão	TES201AE#\$\$	1	→ TLK08001G#\$\$	1	TLK01101UA	1 (Para 1 bico)		
	TES202AE#\$\$	2	→ TLK08001G#\$\$	2	TLK01102UA	1 (Para 2 bicos)		
	TES203AE#\$\$	3	→ TLK08001G#\$\$	3	TLK01103UA	1 (Para 3 bicos)		
	TES204AE#\$\$	2	→ TLK08001G#\$\$	2	TLK01106UA	1 (Para 2 bicos)	TLK01401U	1
	TES205AE#\$\$	3	→ TLK08001G#\$\$	3	TLK01107UA	1 (Para 3 bicos)	TLK01401U	1
com placa secundária	TES201AEi2#\$\$	1	→ TLK08001G#\$\$	1	TLK01101Ui2 ( TLK01101U1A & Placa secundária )	1 (Para 1 bico)		
	TES202AEi2#\$\$	2	→ TLK08001G#\$\$	2	TLK01102Ui2 ( TLK01102U1A & Placa secundária )	1 (Para 2 bicos)		
	TES203AEi2#\$\$	3	→ TLK08001G#\$\$	3	TLK01103Ui2 ( TLK01103U1A & Placa secundária )	1 (Para 3 bicos)		
	TES204AEi2#\$\$	2	→ TLK08001G#\$\$	2	TLK01106Ui2 ( TLK01106U1A & Placa secundária )	1 (Para 2 bicos)	TLK01401U	1
	TES205AEi2#\$\$	3	→ TLK08001G#\$\$	3	TLK01107Ui2 ( TLK01107U1A & Placa secundária )	1 (Para 3 bicos)	TLK01401U	1

OPÇÃO DE KITS		COMPONENTES						
	Nº do modelo de kits	Instalação do bico	Bicos		Controlador & Caixa		Subcaixa	
			Nº do modelo	Quantidade	Nº do modelo	Quantidade	Nº do modelo	Quantidade
Padrão	TES201AF#\$\$	1	→ TLK08002G#\$\$	1	TLK01101UA	1 (Para 1 bico)		
	TES202AF#\$\$	2	→ TLK08002G#\$\$	2	TLK01102UA	1 (Para 2 bicos)		
	TES203AF#\$\$	3	→ TLK08002G#\$\$	3	TLK01103UA	1 (Para 3 bicos)		
	TES204AF#\$\$	2	→ TLK08002G#\$\$	2	TLK01106UA	1 (Para 2 bicos)	TLK01401U	1
	TES205AF#\$\$	3	→ TLK08002G#\$\$	3	TLK01107UA	1 (Para 3 bicos)	TLK01401U	1
com placa secundária	TES201AFi2#\$\$	1	→ TLK08002G#\$\$	1	TLK01101Ui2 ( TLK01101U1A & Placa secundária )	1 (Para 1 bico)		
	TES202AFi2#\$\$	2	→ TLK08002G#\$\$	2	TLK01102Ui2 ( TLK01102U1A & Placa secundária )	1 (Para 2 bicos)		
	TES203AFi2#\$\$	3	→ TLK08002G#\$\$	3	TLK01103Ui2 ( TLK01103U1A & Placa secundária )	1 (Para 3 bicos)		
	TES204AFi2#\$\$	2	→ TLK08002G#\$\$	2	TLK01106Ui2 ( TLK01106U1A & Placa secundária )	1 (Para 2 bicos)	TLK01401U	1
	TES205AFi2#\$\$	3	→ TLK08002G#\$\$	3	TLK01107Ui2 ( TLK01107U1A & Placa secundária )	1 (Para 3 bicos)	TLK01401U	1

OPÇÃO DE KITS		COMPONENTES						
	Nº do modelo de kits	Instalação do bico	Bicos		Controlador & Caixa		Subcaixa	
			Nº do modelo	Quantidade	Nº do modelo	Quantidade	Nº do modelo	Quantidade
Padrão	TES201AG#\$\$	1	→ TLK08003G#\$\$	1	TLK01101UA	1 (Para 1 bico)		
	TES202AG#\$\$	2	→ TLK08003G#\$\$	2	TLK01102UA	1 (Para 2 bicos)		
	TES203AG#\$\$	3	→ TLK08003G#\$\$	3	TLK01103UA	1 (Para 3 bicos)		
	TES204AG#\$\$	2	→ TLK08003G#\$\$	2	TLK01106UA	1 (Para 2 bicos)	TLK01401U	1
	TES205AG#\$\$	3	→ TLK08003G#\$\$	3	TLK01107UA	1 (Para 3 bicos)	TLK01401U	1
com placa secundária	TES201AGi2#\$\$	1	→ TLK08003G#\$\$	1	TLK01101Ui2 ( TLK01101U1A & Placa secundária )	1 (Para 1 bico)		
	TES202AGi2#\$\$	2	→ TLK08003G#\$\$	2	TLK01102Ui2 ( TLK01102U1A & Placa secundária )	1 (Para 2 bicos)		
	TES203AGi2#\$\$	3	→ TLK08003G#\$\$	3	TLK01103Ui2 ( TLK01103U1A & Placa secundária )	1 (Para 3 bicos)		
	TES204AGi2#\$\$	2	→ TLK08003G#\$\$	2	TLK01106Ui2 ( TLK01106U1A & Placa secundária )	1 (Para 2 bicos)	TLK01401U	1
	TES205AGi2#\$\$	3	→ TLK08003G#\$\$	3	TLK01107Ui2 ( TLK01107U1A & Placa secundária )	1 (Para 3 bicos)	TLK01401U	1

## PEÇAS INCLUÍDAS (continuação)

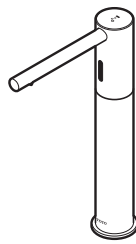
### Conjunto do bico



TLK07001G



Chave sextavada  
(Tamanho: 1,5 mm)



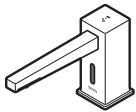
TLK07003G



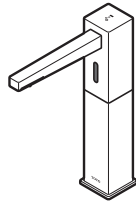
Chave sextavada  
(Tamanho: 1,5 mm)



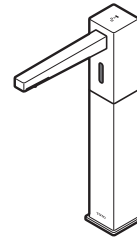
TLK03001G



TLK08001G

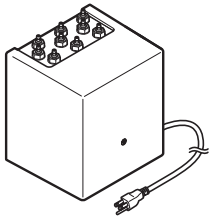


TLK08002G

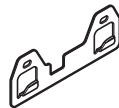


TLK08003G

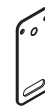
### Controlador



Parafuso  
( $\Phi$  5,1 mm x 32 mm)



Suporte de  
montagem



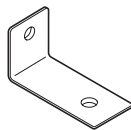
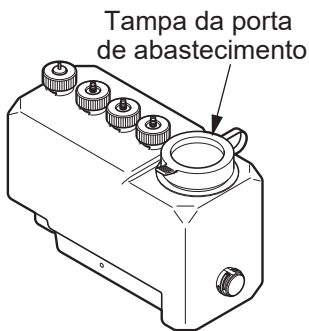
Placa de fixação



Parafuso  
autoatarraxante cônico  
( $\Phi$  4 mm x 10 mm)

### Caixa de 3 L (0,8 galão)

#### Conjunto de suporte (apenas para caixa de 3L)



Suporte



Parafuso  
( $\Phi$  5,1 mm x 32 mm)



Parafuso  
decorativo



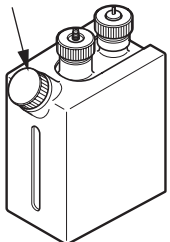
Mangueira 6' 6-3/4" (2 m)  
(tipo único: 1, tipo duplo: 2,  
tipo triplo: 3)



Braçadeira de mangueira  
(tipo único: 2, tipo duplo: 4,  
tipo triplo: 6)

#### \* Caixa de 1 L (0,26 galão) (pedido especial)

Tampa da porta  
de abastecimento



Suporte



Tira de  
agrupamento



Mangueira 7-1/16" (180 mm)



Parafuso de cabeça redonda  
( $\Phi$  5,1 mm x 32 mm)

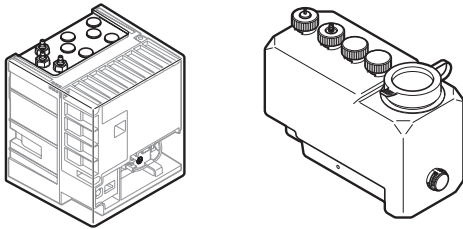


Braçadeira de  
mangueira: 2

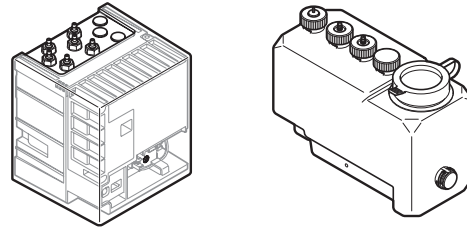
# PEÇAS INCLUÍDAS (continuação)

## Controlador & Caixa

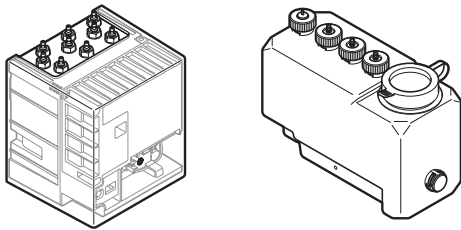
TLK01101UA, TLK01101Ui2



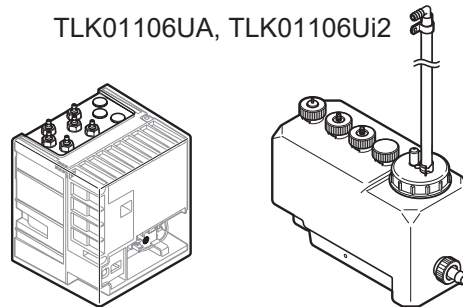
TLK01102UA, TLK01102Ui2



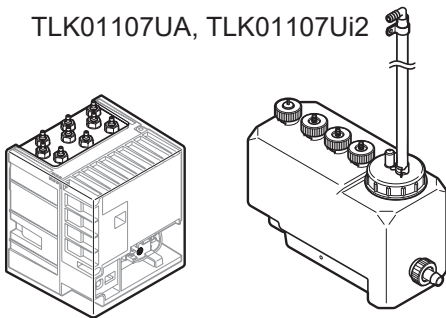
TLK01103UA, TLK01103Ui2



TLK01106UA, TLK01106Ui2



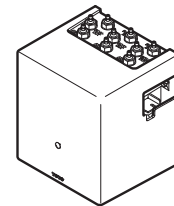
TLK01107UA, TLK01107Ui2



\*O TLK0110xUi2 inclui uma placa secundária.  
\*A tampa externa do TLK0110xUi2 tem uma abertura no lado direito.



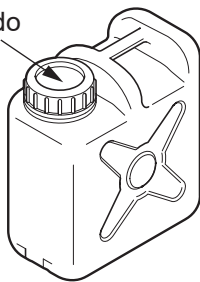
Placa secundária



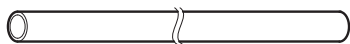
Abertura

## Unidade de subcaixa (TLK01401U)

Entrada do sabonete



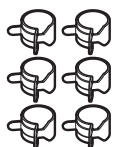
Subcaixa



Mangueira de conexão 16' 4-7/8" (5 m)



Bocal em Y

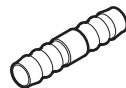


Braçadeiras de mangueira (6)

## Unidade de mangueira (TLK01403U)



Mangueira de conexão 16' 4-7/8" (5 m)

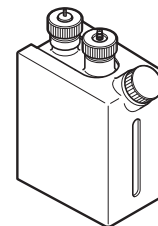
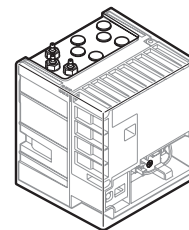


Bocal em I



Braçadeira de mangueira (1)

## Pedido especial



## PROCEDIMENTO DE INSTALAÇÃO - POSICIONAMENTO

### Posicionamento do distribuidor

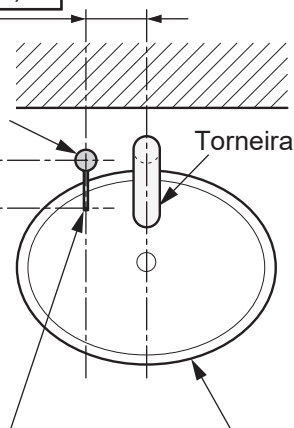
1. Deixe um espaço mínimo de 4-3/4" (120 mm) entre o distribuidor de sabonete e a torneira para evitar ativação acidental.
2. Deixe um espaço de no máximo 3-1/8" (80 mm) da borda interna da pia até o orifício de instalação do bico para garantir que qualquer sabonete residual goteje do bico do distribuidor no recipiente da pia.

(1) O espaço entre o distribuidor e a torneira deve ser no mínimo de 4-3/4" (120 mm)

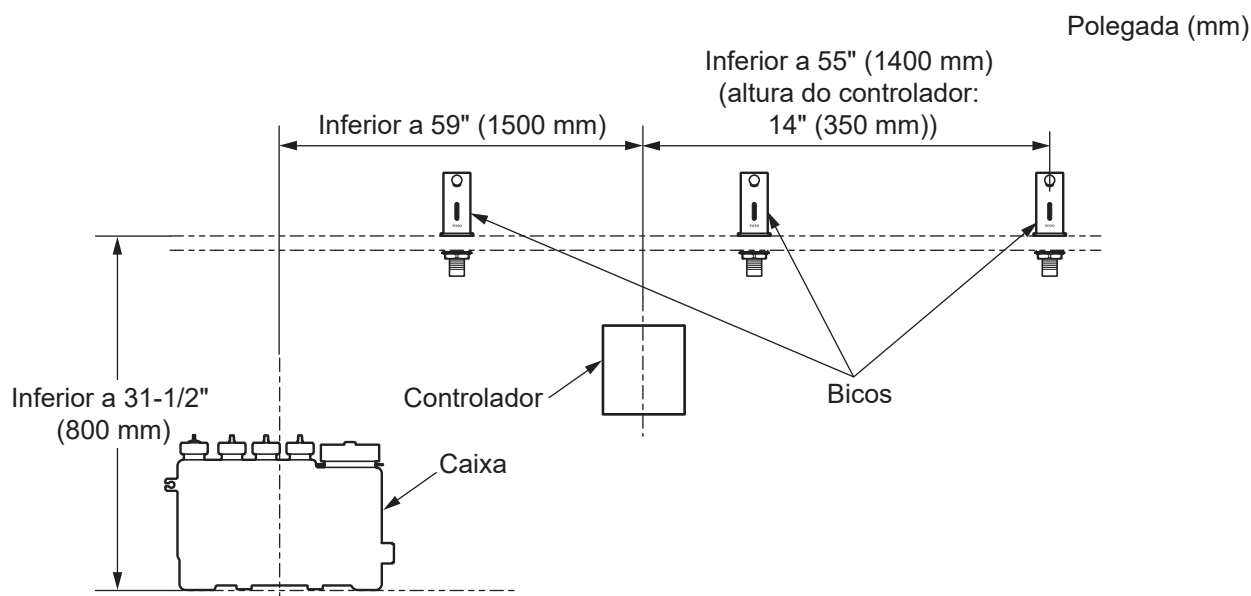
O orifício para instalar o distribuidor deve ter [1" – 1-1/8" (25–28 mm) de diâmetro]

(2) A distância do distribuidor de sabonete até a borda da pia deve ser no de máximo 3-1/8" (80 mm)

Distribuidor sem contato de sabonete líquido Pia



### Posicionamento da caixa



- Instale a caixa no máximo a 31-1/2" (800 mm) de distância da face superior da bancada. Também não deve exceder a altura da extremidade superior do controlador. Não pode ser instalado na bancada ou no nível inferior. Se for instalado além dessa margem, os seguintes problemas podem ocorrer. Menos água corre e o sabonete não forma espuma.
- O comprimento da mangueira conectada ao bico é de 6 pés (1,8 m). Instale o controlador de modo que a mangueira possa ser conectada ao controlador.

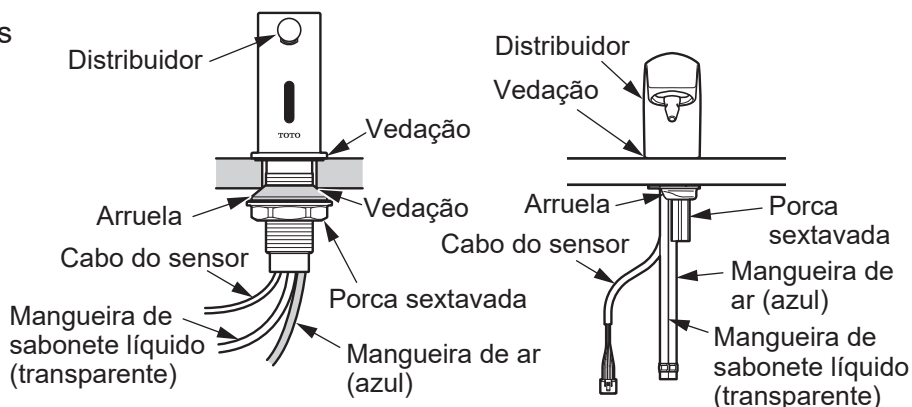
## PROCEDIMENTO DE INSTALAÇÃO - Bico

1. Insira o distribuidor nos orifícios de instalação na bancada (ou na pia).

2. Fixe o distribuidor com arruela e porca sextavada.

### Cuidado

Garanta que os cabos e os tubos não fiquem dobrados.



## PROCEDIMENTO DE INSTALAÇÃO - Controlador

Marcação das posições dos furos dos parafusos para a placa de fixação.

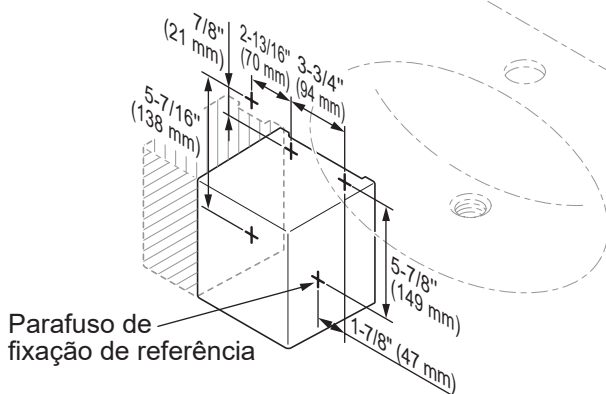
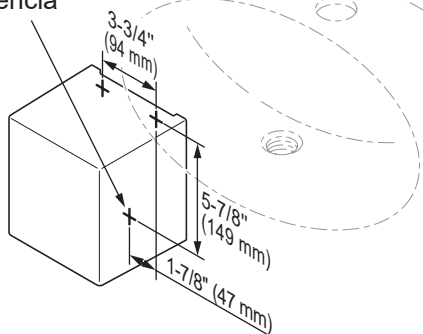
Decida qual a posição de fixação do controlador e marque as posições dos furos dos parafusos na parede, consultando o diagrama de dimensões.

[ Tipo caixa de 3 L (0,8 gallon) ]

[ Tipo caixa de 1 L (0,26 gallon) ]

(Unidade: polegada (mm))

Parafuso de fixação de referência



### Instalação do controlador numa parede de azulejos ou concreto

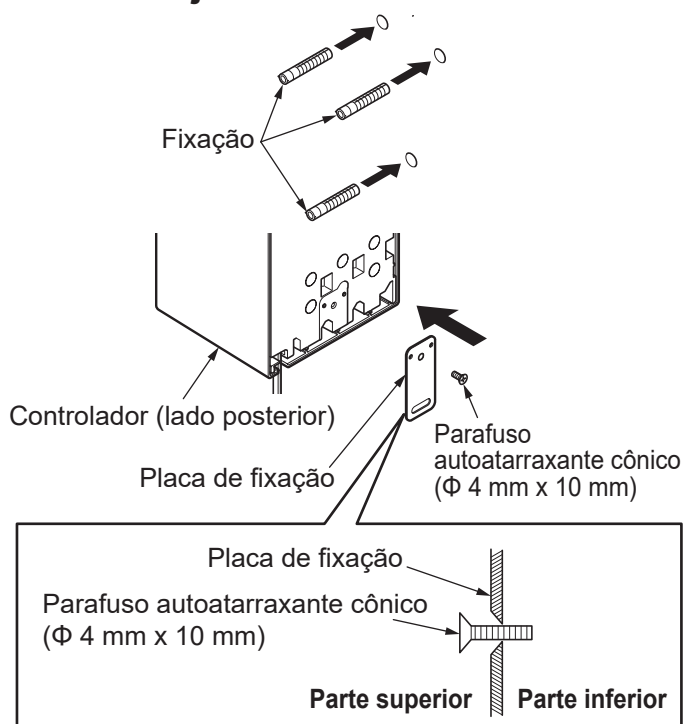
1. Faça um buraco na posição do orifício do parafuso e insira no tampão roscado (procure no campo).

\* Adquirir um tampão roscado que corresponda ao parafuso ( $\Phi$  5,1 mm x 32 mm).

2. Fixe a placa de fixação inferior ao controlador com um parafuso autoatarraxante cônico.

### Cuidado

- Não use uma chave de fenda elétrica para apertar os parafusos. Estes devem ser apertados manualmente.
- Preste atenção para não confundir o lado superior e o lado inferior da placa de fixação.





## PROCEDIMENTO DE INSTALAÇÃO - Controlador (continuação)

3. Posicione e fixe o suporte com dois parafusos.
4. Pendure o controlador no suporte de montagem e fixe a placa de fixação inferior com um parafuso.

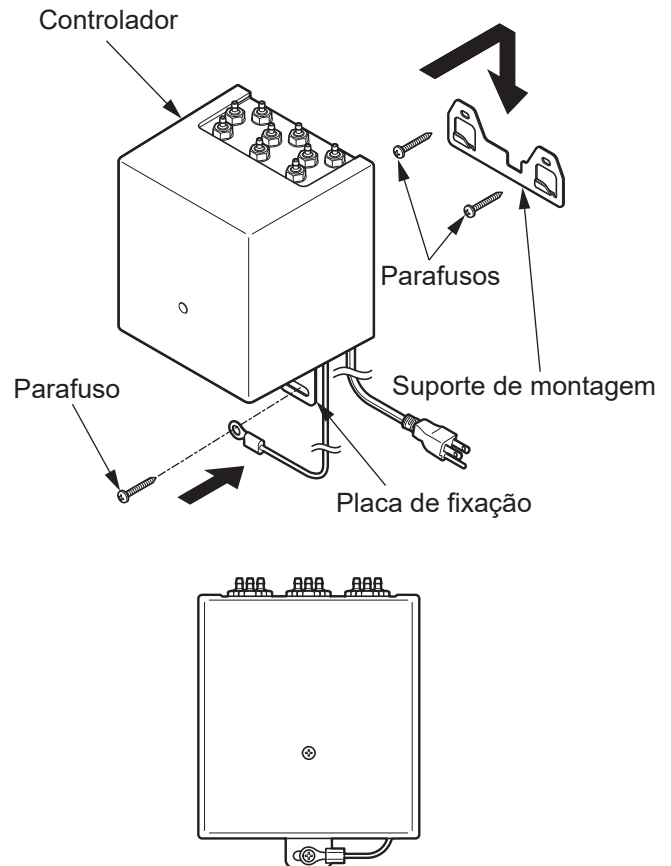
\* Prenda o fio-terra com o suporte de montagem e fixe-os com o parafuso.

### Instalação do controlador numa parede de madeira ou drywall.

Confirme que a parede de madeira tem uma estrutura que pode sustentar o peso (4,41lb) do controlador (tipo triplo). (No caso de parede de gesso, para fixar o controlador, garanta que a base de compensado tenha uma espessura superior a 1/2" (13 mm)). Fixe o suporte de montagem com dois parafusos e a placa de fixação com um parafuso. Reforce a estrutura da parede o suficiente, conforme necessário.

#### Cuidado

- Instale o corpo da unidade horizontalmente.
- Preste atenção para não apertar o fio elétrico nem deixá-lo tocar as bordas.

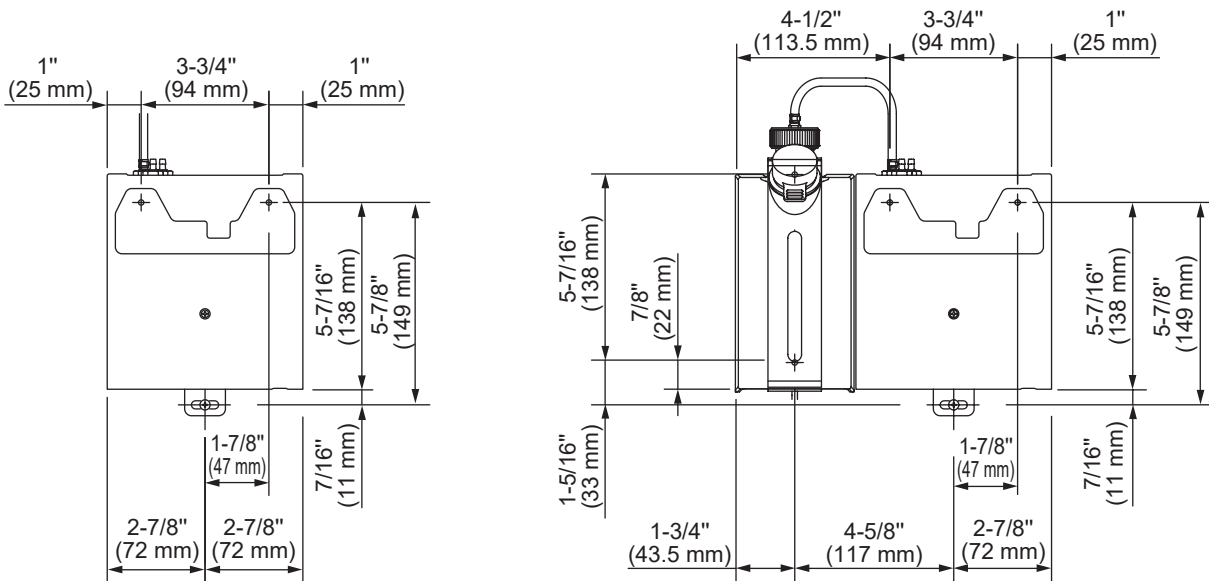


### Dimensões

[ Tipo caixa de 3 L (0,8 galão) ]

[ Tipo caixa de 1 L (0,26 galão) ]

(Unidade: polegada (mm))



## PROCEDIMENTO DE INSTALAÇÃO - Caixa

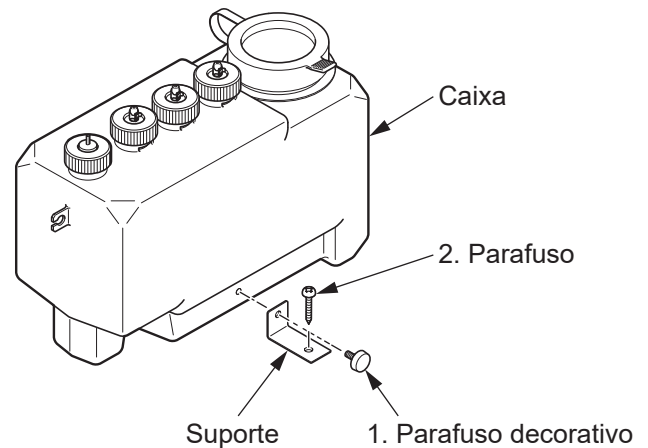
### [ Tipo caixa de 3 L (0,8 galão) ]

Usar o suporte para fixar a caixa no chão.

1. Fixe a caixa e os suportes com os parafusos decorativos que devem ser apertados manualmente.
2. Instalação da caixa no chão com o parafuso.

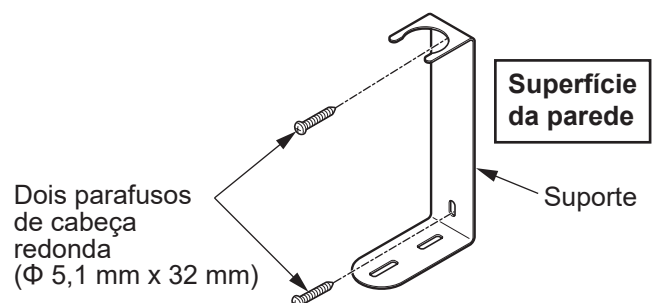
### Observação

Se o piso for de concreto, insira primeiro os tampões roscados.

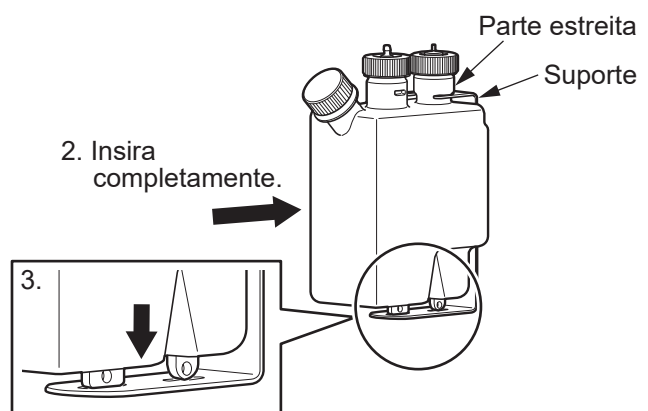


### [ Tipo caixa de 1 L (0,26 galão) (pedido especial) ]

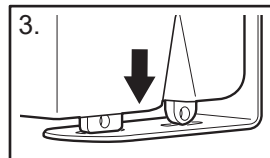
1. Fixe o suporte com o parafuso de cabeça redonda anexado.



2. Passe a parte estreita da caixa entre o suporte e insira-a completamente.

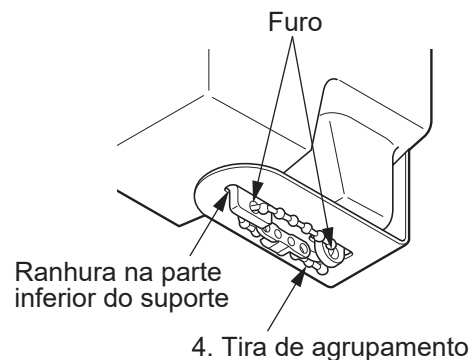


3. Insira a caixa na ranhura na superfície inferior do suporte e passe pelos dois orifícios.



4. Colocação da tira de agrupamento.

\* A tira de agrupamento serve para evitar que a caixa caia se colidir com algo. Se a caixa for instalada atrás de uma parede, etc., não é necessário prender a tira de agrupamento.





# PROCEDIMENTO DE INSTALAÇÃO - Conectar mangueiras e cabos

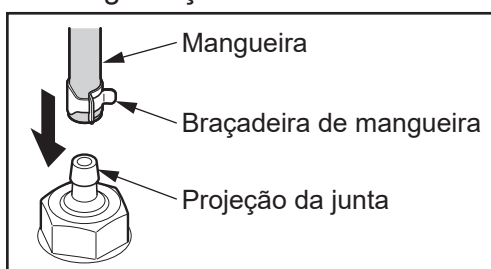
## Conexões de mangueira

1. Corte as mangueiras em um comprimento adequado que alcance a parte conectada.  
(Entre os bicos e o controlador)  
(Entre o controlador e a caixa)

### Cuidado

Usando um cortador, etc., corte as mangueiras de forma que a superfície de corte seja vertical.

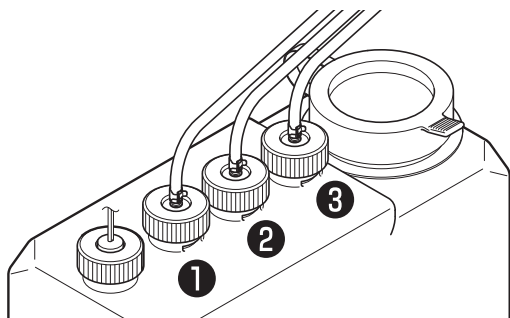
2. Insira a mangueira completamente no controlador e coloque a braçadeira na projeção da junta para fixar a mangueira com segurança.



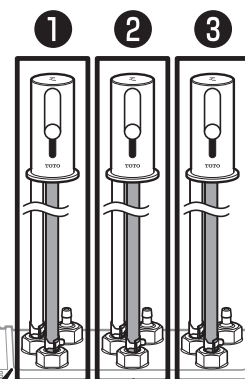
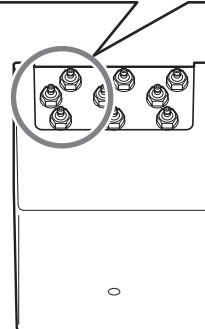
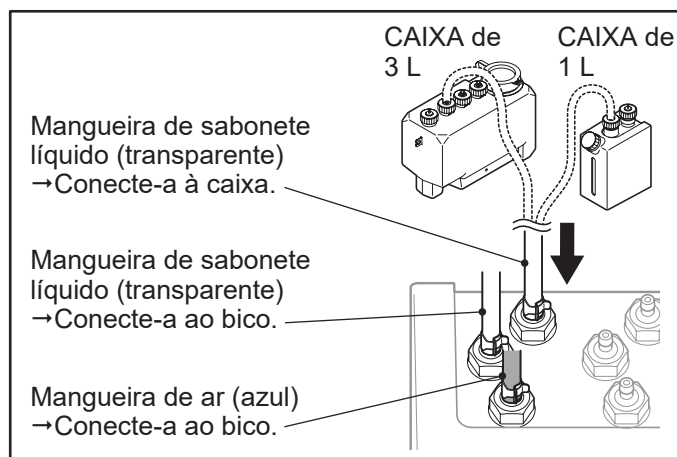
### Cuidado

- Conecte as mangueiras e os sensores nos pares predeterminados.
- Ao inserir as mangueiras, preste atenção para não aplicar demasiada força na junta da caixa.
- Preste atenção para não dobrar as mangueiras.

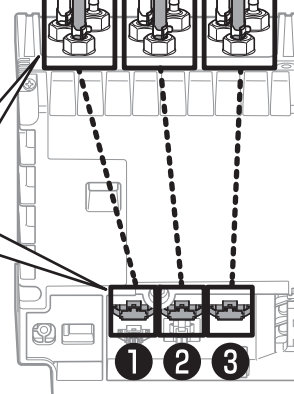
## [ Lado da caixa ]



## [ Lado do controlador ]



Conecte as mangueiras e sensores nos pares predeterminados.



- \* Conecte apenas o tipo único a ①.  
(O sensor não funciona em nenhuma outra posição)
- \* Conecte o tipo duplo a ① e ②.  
(③ não funciona.)

## PROCEDIMENTO DE INSTALAÇÃO - Conectar mangueiras e cabos (continuação)

### Conexões do conector

Remova o tampo do controlador e conecte o conector do sensor ao conector do interruptor de flutuador.

Conecte o conector do sensor e a mangueira nas posições indicadas.

### Para instalação única

Conecte em um só lugar.

Conector ❶ (branco) apenas para sensor

### Para instalação dupla

Conecte em dois lugares.

Conectores ❶ (branco) e ❷ (amarelo) para sensor

### Para instalação tripla

Conecte em três lugares.

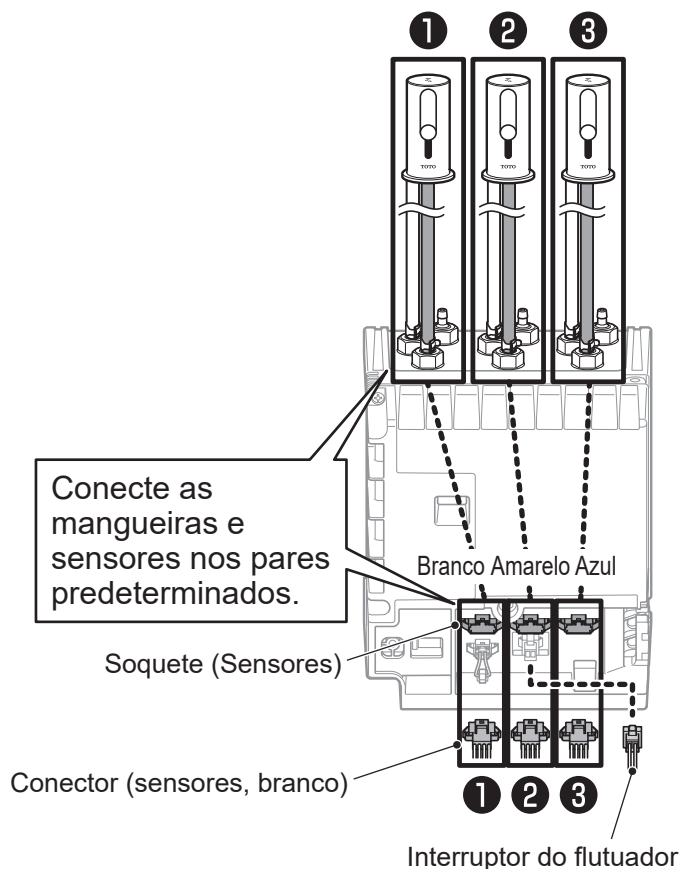
Conectores ❶ (branco), ❷ (amarelo) e ❸ (azul) para sensor

### Cuidado

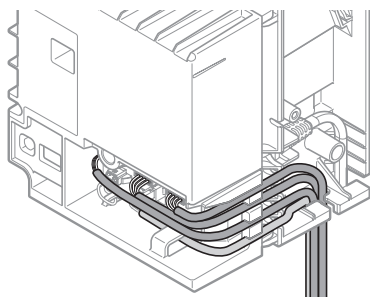
Todos os conectores dos sensores conectados ao bico são brancos.

As cores dos conectores dispostos no controlador são branco, amarelo e azul.

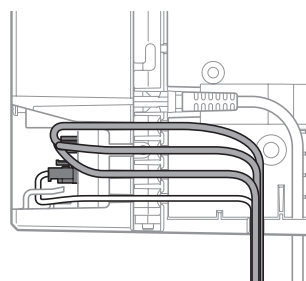
Cores diferentes podem ser conectadas.



### Imagem da fiação

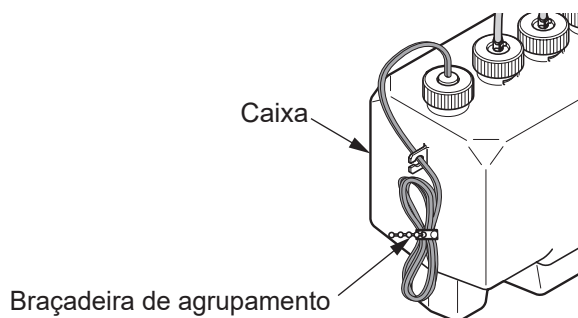


### Face lateral (vista dos fios)



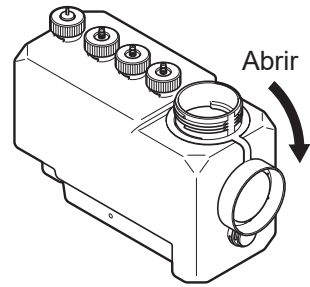
### Amarração do cabo do flutuador

Usando braçadeiras de agrupamento, arrume e agrupe os cabos.



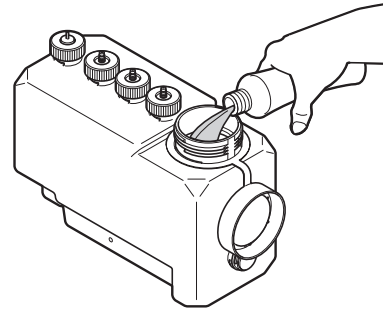
## PROCEDIMENTO DE INSTALAÇÃO - Abastecer com sabonete líquido

1. Remova a tampa da caixa.



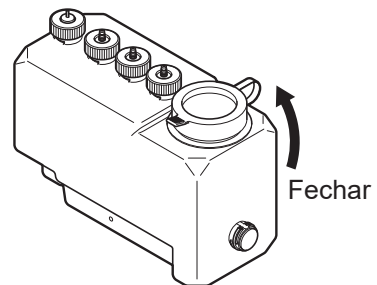
2. Despeje lentamente o sabonete líquido na caixa de retenção.

Observe o nível à medida que despeja o sabonete líquido lentamente, para não criar espuma.

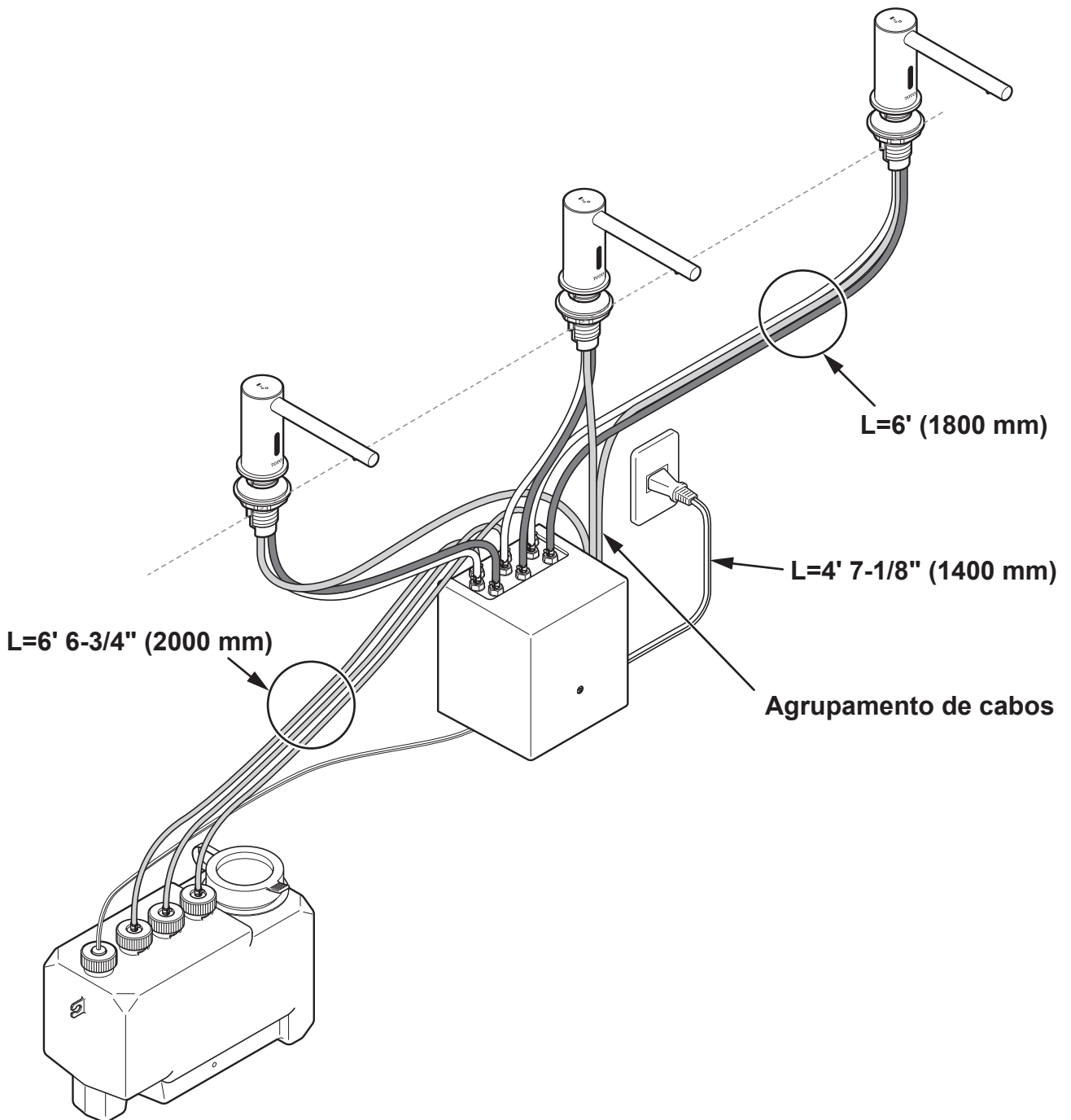


3. Feche a tampa da caixa com firmeza.

Certifique-se de que a tampa esteja bem fechada depois de abastecer a caixa.



## Diagrama de conclusão da instalação



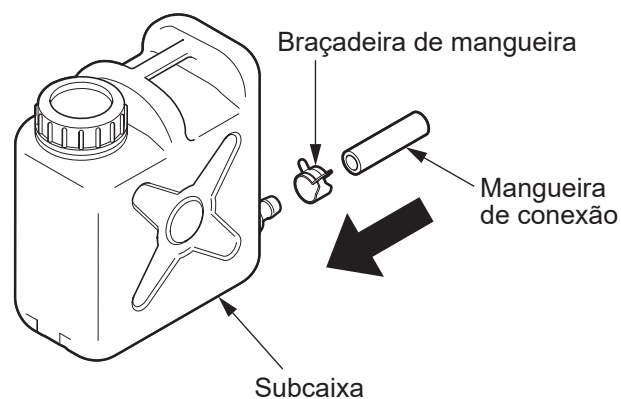
## PROCEDIMENTO DE INSTALAÇÃO - Unidade de subcaixa

1. Conecte a mangueira à subcaixa.

\* Use a mangueira de conexão para conectar a caixa e corte no comprimento desejado para encaixar entre a caixa e a subcaixa.

### Cuidado

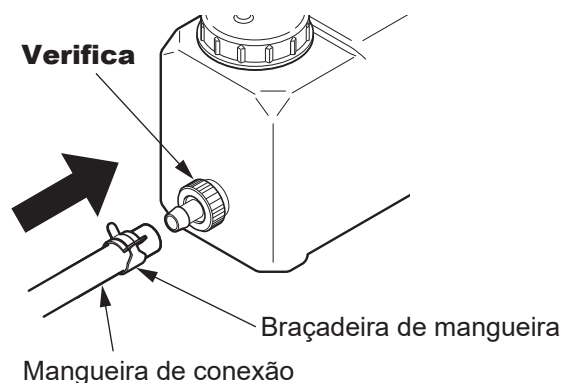
- A mangueira não pode ter torções nem dobras excessivas.
- Verifique se todas as porcas de tampa estão bem apertadas. Se estiverem soltas, podem ocorrer vazamentos. Verifique periodicamente.



2. Conecte uma extremidade da mangueira de conexão à tampa de acoplamento na parte lateral da caixa.

### Cuidado

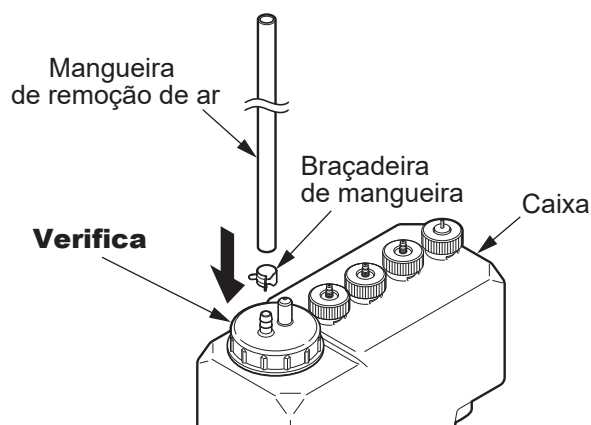
Aperte a conexão da mangueira com a braçadeira para fixá-la corretamente.



3. Conecte a mangueira para remoção de ar.

### Cuidado

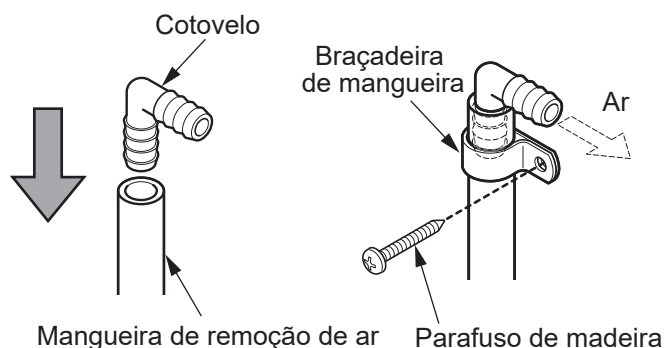
Aperte a mangueira de remoção de ar em segurança com a braçadeira da mangueira.



4. Fixe o cotovelo à extremidade frontal da mangueira de remoção de ar e fixe-a à parede com a braçadeira da mangueira e o parafuso de madeira.

\* Não bloqueie o cotovelo. É o ponto de saída de ar do sistema. O sabonete não fluirá corretamente se o cotovelo estiver bloqueado.

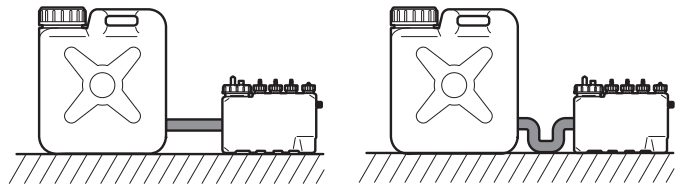
- Instale o cotovelo **entre a parte superior da subcaixa e a bancada**. Se o cotovelo for instalado abaixo da subcaixa, o sabonete transbordará.
- A braçadeira da mangueira precisa ficar na posição correta com relação à mangueira de remoção de ar e ao cotovelo.



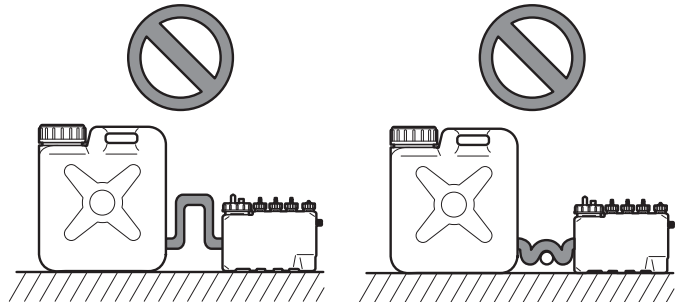
## PROCEDIMENTO DE INSTALAÇÃO - Unidade de subcaixa (continuação)

- O comprimento total da mangueira de conexão é de 16' 4-7/8" (5 m). Para garantir um desempenho de abastecimento suficiente, não use uma mangueira com mais de 16' 4-7/8" (5 m). Instale a mangueira horizontalmente. (É ACEITÁVEL colocar no chão.)

**ÓTIMO** **ÓTIMO**

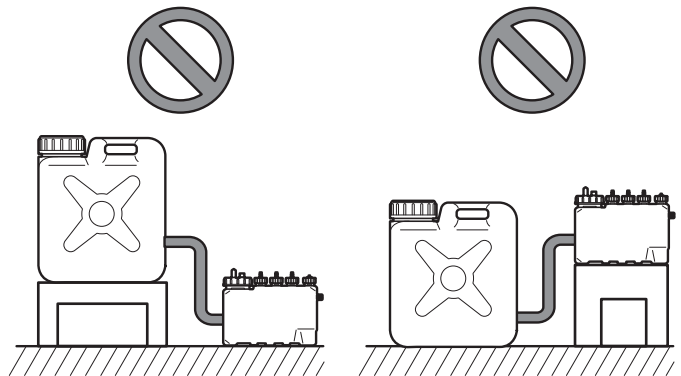


- Instale a mangueira em linha reta. Uma mangueira dobrada impedirá o fluxo adequado do sabonete líquido.



- Posicione a caixa em uma superfície nivelada em altura uniforme. Instalar as caixas em níveis diferentes pode resultar nas seguintes avarias:

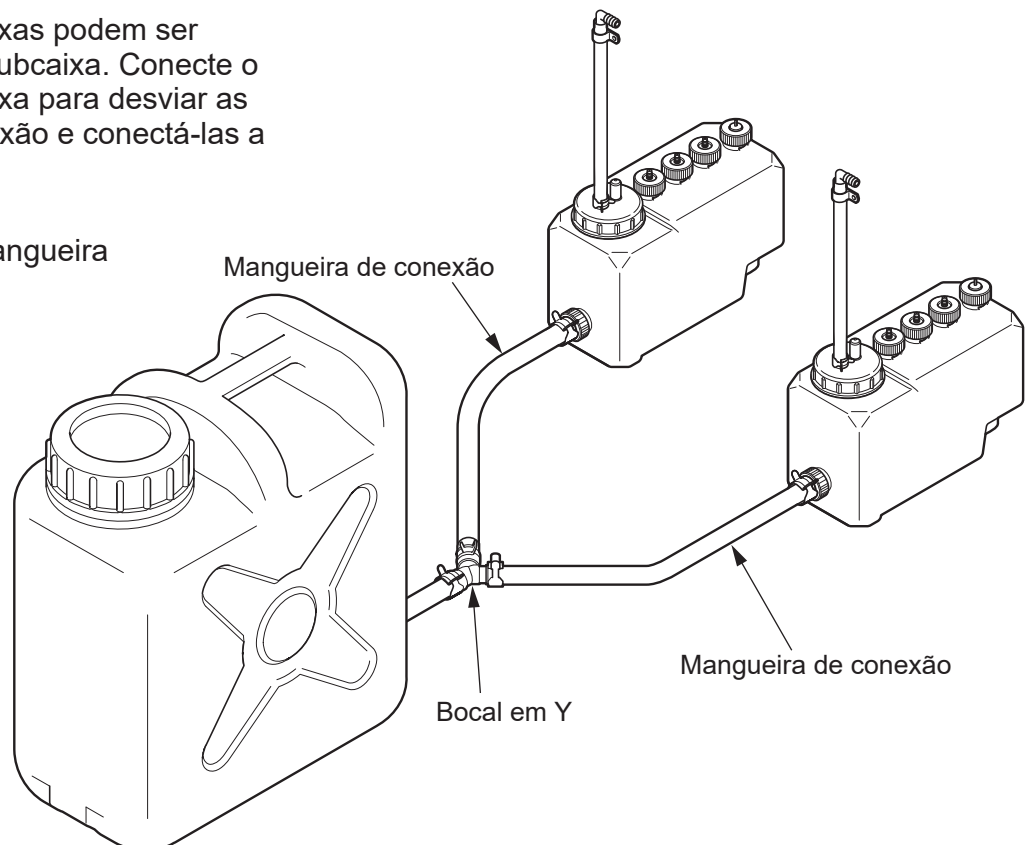
- Vazamento de sabonete da caixa que está em um nível inferior.
- Detecção incorreta do nível de sabonete líquido na caixa que está no nível superior.



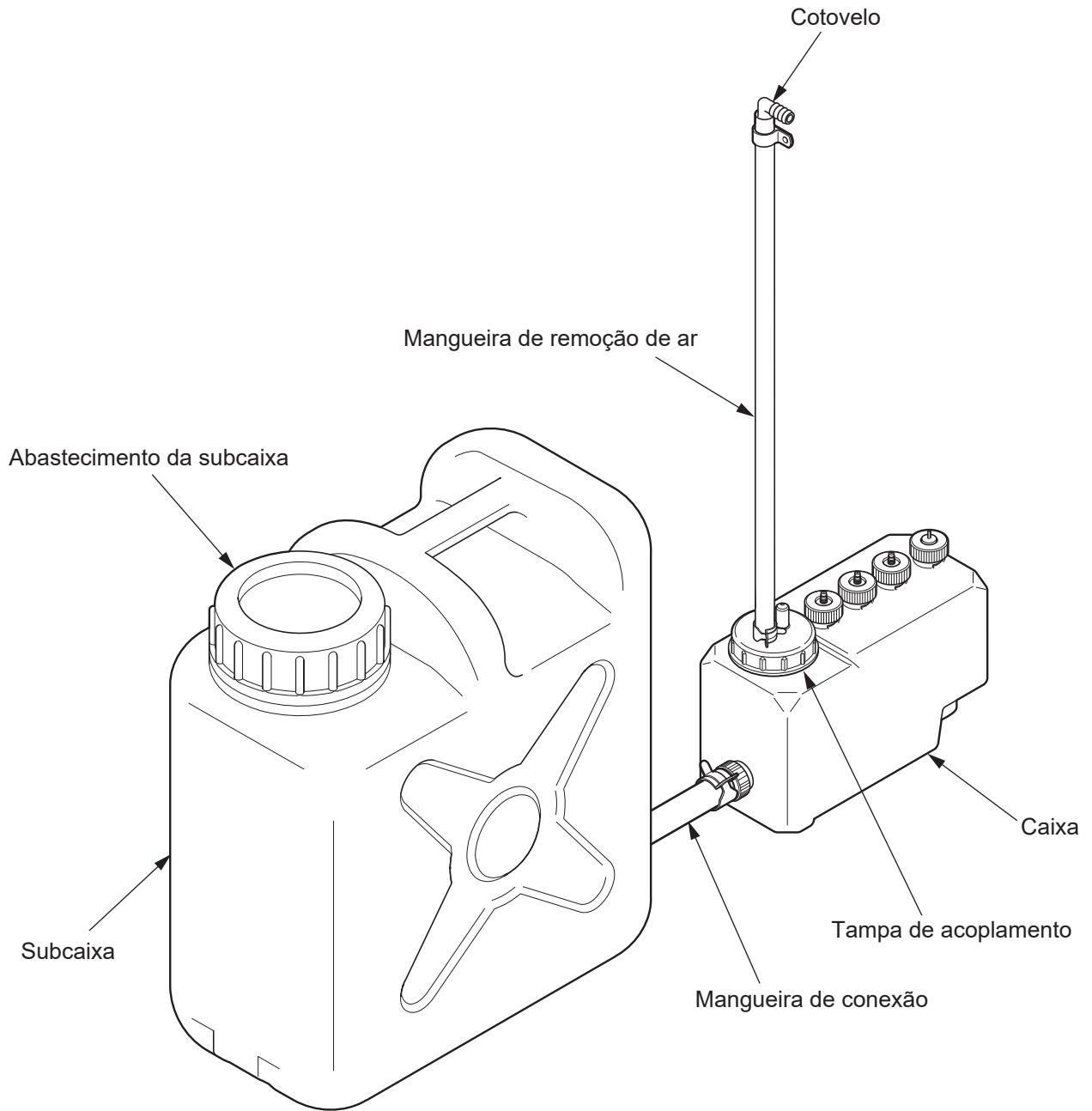
- No máximo duas caixas podem ser conectadas a uma subcaixa. Conecte o bocal em Y à subcaixa para desviar as mangueiras de conexão e conectá-las a cada caixa.

### Observação

Comprimento máx. mangueira  
16' 4-7/8" (5 m)



## Diagrama de conclusão da instalação



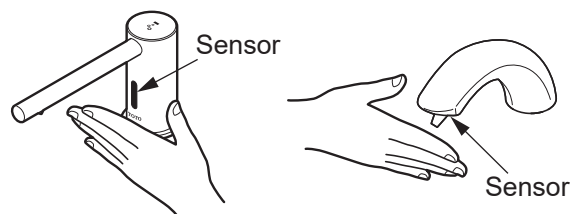
## TESTES

Após a conclusão da instalação, confirme se o distribuidor funciona corretamente usando o método descrito a seguir.

### Verificação após a conclusão da instalação.

Após a conclusão da instalação, teste o produto usando o procedimento descrito a seguir.

1. Mude para o modo de verificação de instalação.  
Quando você mantém a mão embaixo do sensor durante cerca de 8 segundos nos primeiros 10 minutos após ligar o produto, o modo muda para o "Modo de Instalação"  
Durante a detecção, a bomba de sabonete líquido é acionada e o sabonete líquido continua a sair. (30 seg, no máximo)  
O sabonete líquido para de sair quando você retira a mão do alcance do sensor.  
Use esta função para abastecer um caminho de fluxo vazio com sabonete líquido.

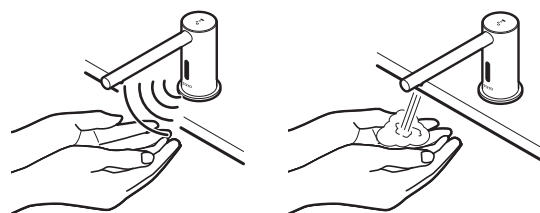


### Cuidado

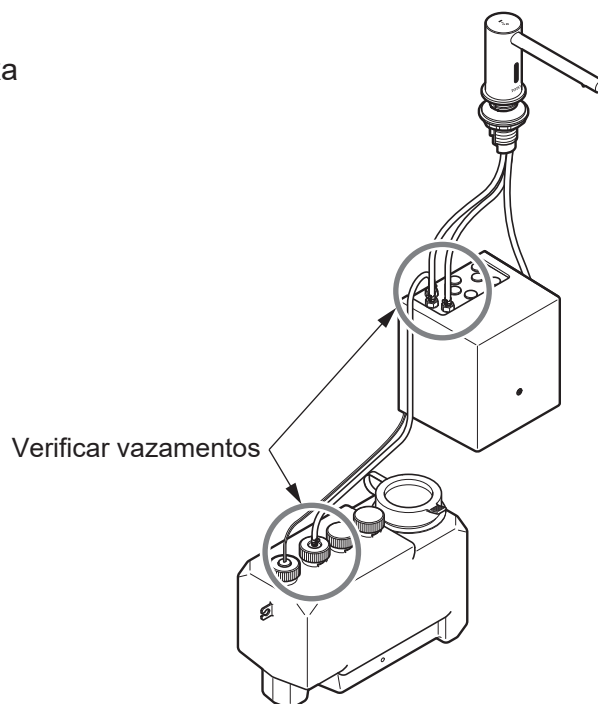
- Se o produto estiver ligado por mais de 10 minutos, desconecte o produto da tomada e conecte novamente.
- Ao desconectar e reconectar a tomada, retire a tomada e deixe desconectada por mais de 10 segundos.

2. Distribua e pare de distribuir o sabonete líquido.

- O sabonete líquido sai quando você coloca a mão embaixo do sensor.
- O sabonete líquido para quando você retira a mão do alcance do sensor.



3. Verifique se existe algum vazamento na caixa e na conexão da mangueira de sabonete líquido.



### Cuidado

Se o produto não for usado por muito tempo após a instalação, o sabonete líquido restante na mangueira seca e a distribuição será inadequada. Portanto, realize um teste com água. Depois do teste, deixe a água acumulada na caixa e substitua pelo sabonete líquido ao começar de fato a utilizar o distribuidor.



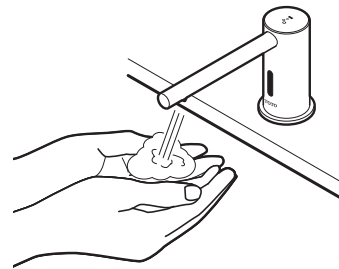
## COMO USAR

### Coloque as mãos embaixo do bico do distribuidor.

- Quando o sensor sente as mãos de alguém, distribui sabonete líquido tipo mousse.
  - O tempo de distribuição é de aproximadamente 0,5 segundos..
  - A distribuição é interrompida quando a pessoa retira a mão.
  - Se as mãos permanecerem na frente do distribuidor, o sabonete líquido será distribuído novamente em aproximadamente 3 segundos. Esse processo pode se repetir até três vezes.
  - Para evitar o uso incorreto, o distribuidor de sabonete líquido para depois de 3 vezes, mas é possível distribuir sabonete diversas vezes, retirando as mãos e colocando-as novamente na frente do distribuidor.
- \* Esta função não funciona nos primeiros 10 min depois de ligar o produto. (consulte a página 97, "Modo de instalação")**

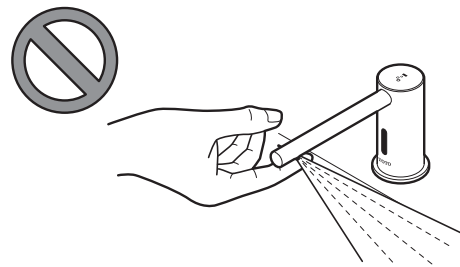


Bico do distribuidor



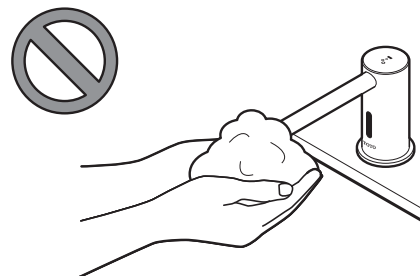
### Não obstrua a abertura do bico do distribuidor.

O sabonete pode esguichar em uma direção inesperada.



### Não coloque espuma na ponta do distribuidor. Se o sensor for bloqueado, pode funcionar mal.

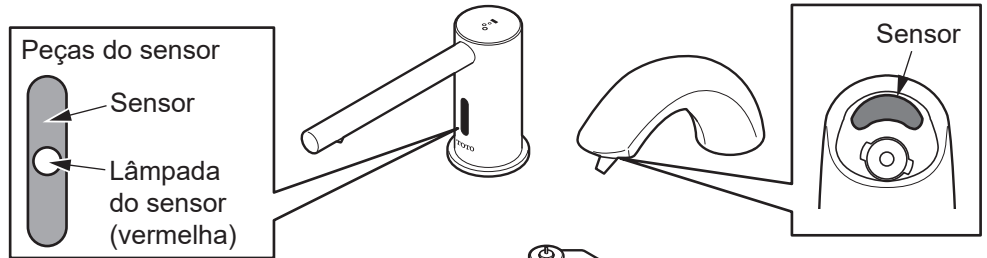
Se a ponta ficar bloqueada, limpe os resíduos usando um pano úmido.



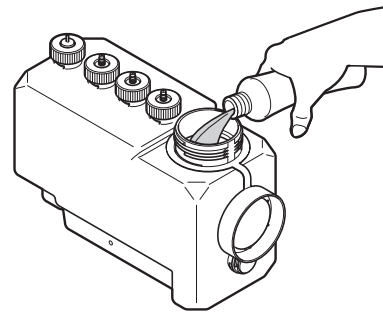
## REABASTECER A CAIXA

Reabasteça a caixa com sabonete líquido quando a lâmpada interna do sensor (vermelha) começar a piscar.

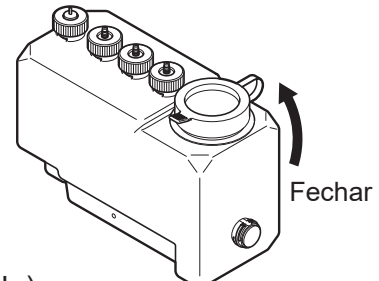
1. Remova a tampa da caixa.



2. Despeje lentamente o sabonete líquido na caixa de retenção. Observe o nível à medida que despeja o sabonete líquido lentamente, para não criar espuma. Despeje o sabonete líquido através do filtro incorporado.



3. Feche bem a tampa da caixa. Certifique-se de que a tampa esteja bem fechada depois de abastecer a caixa.



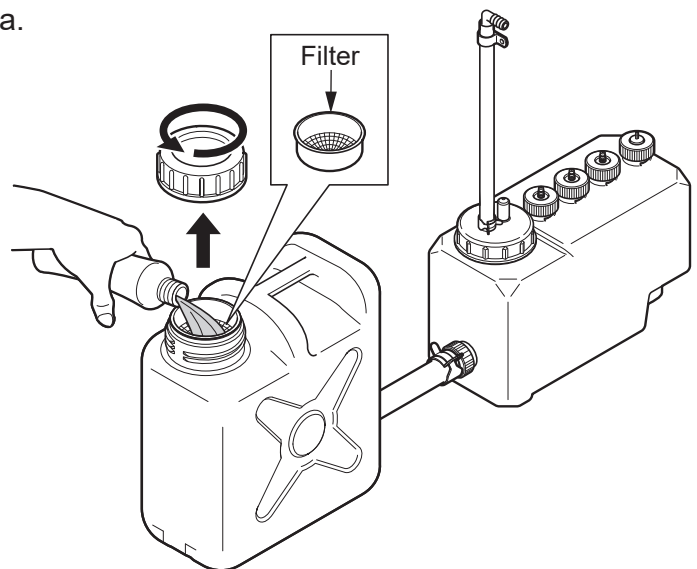
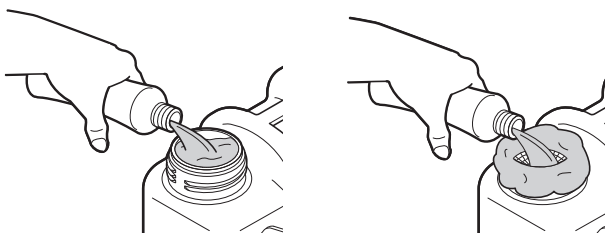
Abastecer a subcaixa (apenas se houver uma subcaixa instalada)

Se houver uma subcaixa instalada, abasteça com sabonete líquido a partir da abertura na subcaixa.

### Observação

Despeje lentamente o sabonete para evitar a formação de bolhas na caixa.

- Se o sabonete estiver entrando muito devagar na caixa devido à formação excessiva de bolhas, limpe a área da tampa e o filtro.

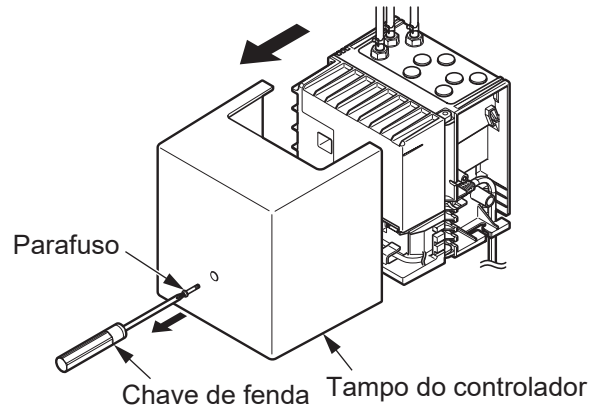


## AJUSTE DE MODO

### Definição do volume de sabonete líquido do distribuidor

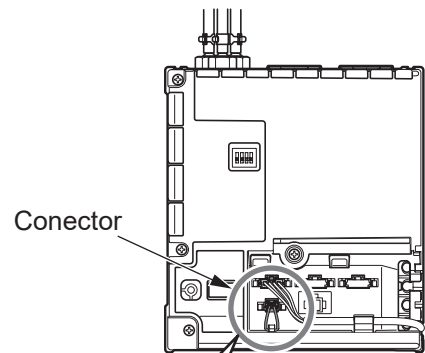
O volume de distribuição do sabonete líquido foi ajustado para 0,04 o.z (1,2 ml) na fábrica. Esse volume pode ser alterado para 0,06 o.z (1,2 ml) removendo o conector.

1. Remova o tampo do controlador.

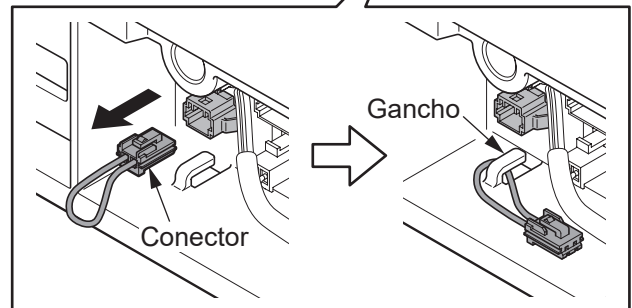


2. Remova o cabo conector do gancho.

3. Remova o conector.



4. Pendure o conector do gancho.  
(para evitar perda)



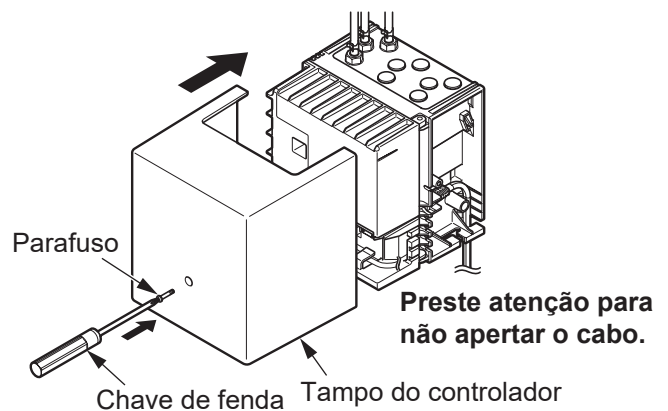
5. Instale o tampo do controlador.

#### Cuidado

Aperte bem os parafusos.  
Se por acaso cair água na caixa, a água pode entrar no controlador e danificar o produto.

#### Observação

Se o conector for conectado novamente, o volume de distribuição do sabonete líquido volta para 0,04 o.z (1,2 ml).



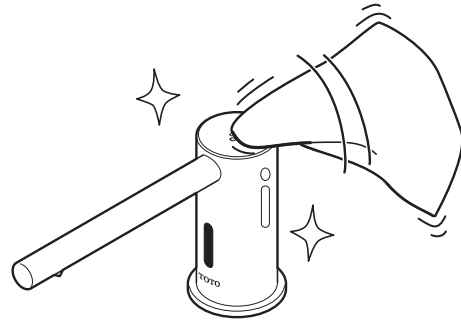
## CUIDADO E LIMPEZA

### Para limpeza leve

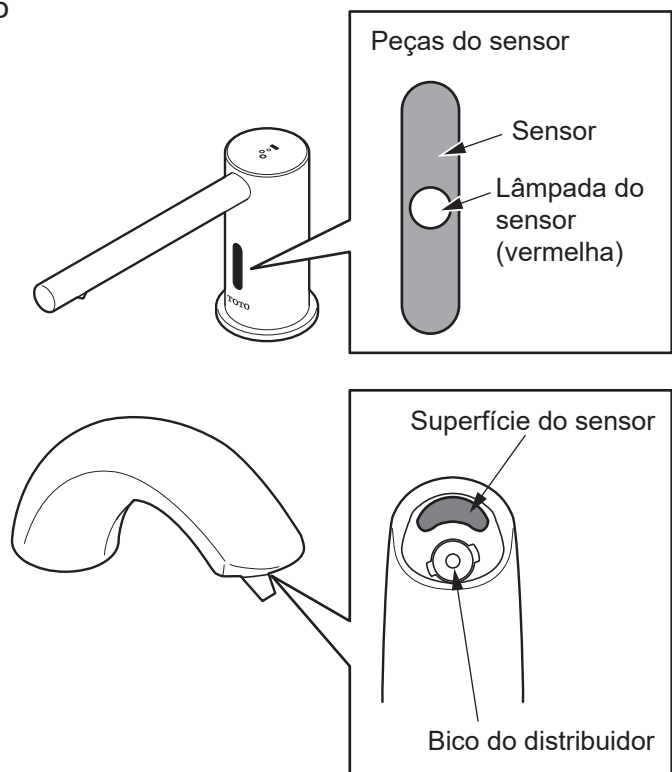
Use um pano embebido em água e remova qualquer resíduo que esteja grudado no distribuidor ou no sensor.

### Para limpeza pesada

Após remover qualquer resíduo com um pano com uma quantidade adequada de detergente neutro de lavar louça, limpe com um pano úmido.



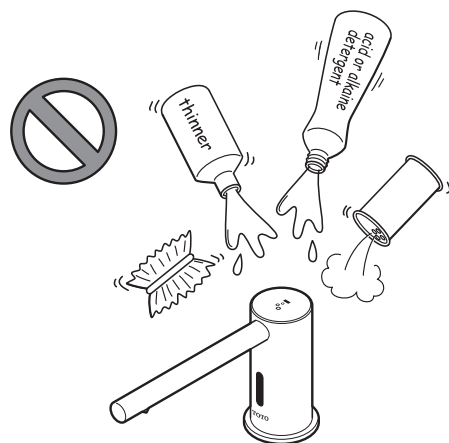
Ao limpar ao redor do sensor, cuidado para não arranhar a superfície do sensor.



Evite usar líquidos de limpeza que possam arranhar a superfície do distribuidor.

Entre eles:

- Detergentes contendo ácido, alvejante com cloro ou agentes alcalinos.
- Solventes, como tiner e benzeno.
- Detergentes com granulado grosso, pó de polimento ou líquido de limpeza. Esfregadores de náilon, de panela, escovas, etc.



## MANUTENÇÃO PERIÓDICA - Bocal

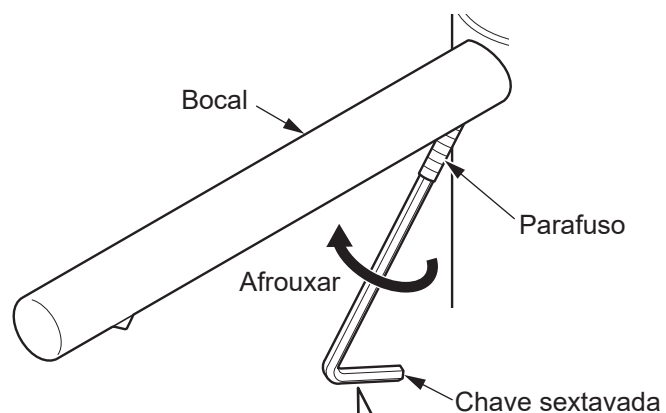
[ Para o modelo TLK0700\*G ]

Limpe o bocal periodicamente porque o sabão não pode fluir se o bocal estiver entupido.

1. Desconecte da tomada elétrica.
2. Use a chave sextavada incluída para cuidadosamente soltar e remover o parafuso.  
(Aproximadamente 7 voltas da chave sextavada.)

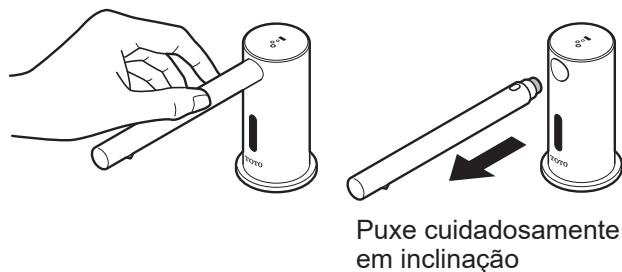
### Cuidado

Se você limpar o bocal em uma pia, cubra o ralo para evitar a perda de peças pequenas.



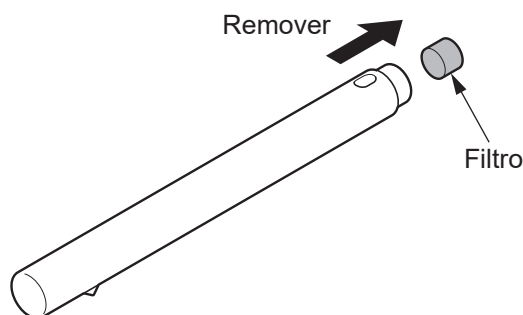
Insira totalmente a chave sextavada antes de afrouxar o parafuso. Se a chave sextavada não for inserida apropriadamente, o soquete do parafuso pode ser deformado e inutilizado.

3. Puxe e remova o bocal depois de soltar o parafuso.



4. Pince o filtro e retire-o do bocal.

5. Deixe o bocal e o filtro de molho em água quente por alguns minutos.



### Observação

Isso facilita a remoção de qualquer sabão que tenha aderido ao bocal.

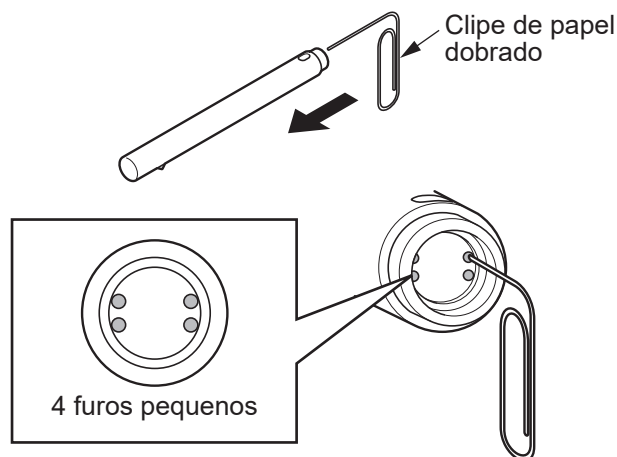
## MANUTENÇÃO PERIÓDICA - Bocal (continuação)

6. Remova o filtro da água quente e limpe-o com uma escova macia.

Enxágue o filtro e seque-o com um pano macio.



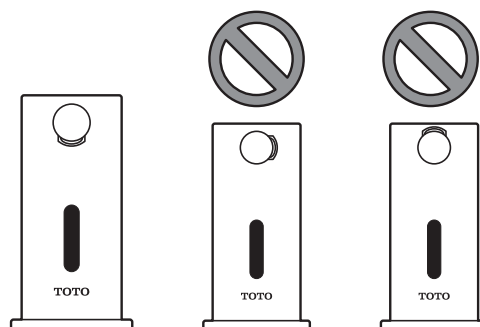
7. Remova o bocal da água quente. Use um clipe de metal para remover qualquer acúmulo de sabão dos 4 furos da entrada de sabão.



8. Prenda o filtro ao bocal quando a limpeza estiver concluída. Use a chave sextavada para prender o bocal novamente na torneira com o parafuso.

Insira o bocal na torneira até que o furo do parafuso esteja oculto.  
Certifique-se de que o bocal esteja totalmente preso e que não saia.

### Como prender o bocal



### Cuidado

Sempre prenda o bocal com a saída do dispensador voltada para baixo.

Do contrário, o sabão pode espirrar para todos os lados.

### Observação

Ative o dispensador para se certificar de que não há vazamento.

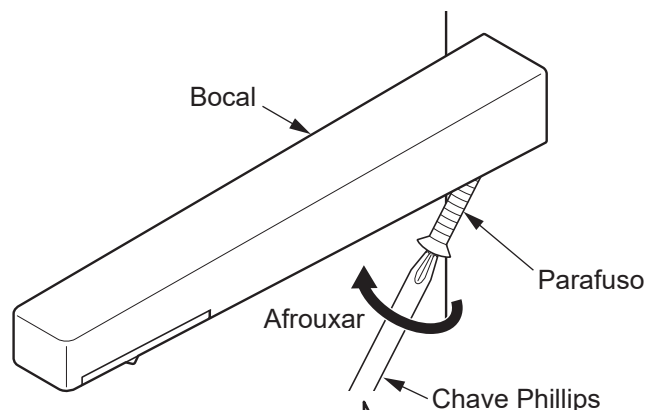


## MANUTENÇÃO PERIÓDICA - Bocal (continuação)

[ Para o modelo TLK0800\*G ]

Limpe o bocal periodicamente porque o sabão não pode fluir se o bocal estiver entupido.

1. Desconecte da tomada elétrica.
2. Use uma chave Phillips para soltar e remover o parafuso.  
(Gire a chave cerca de 10 voltas.)

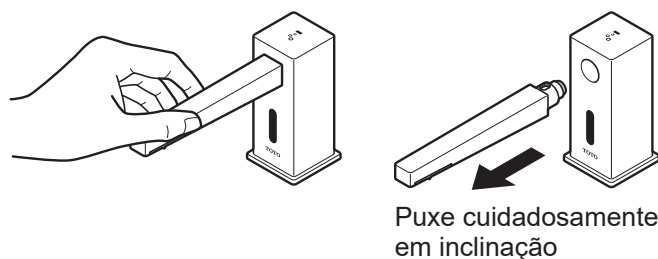


Insira totalmente a ponta da chave antes de afrouxar o parafuso. Se a chave Phillips não for inserida corretamente, a cabeça do parafuso pode ser deformada.

### Cuidado

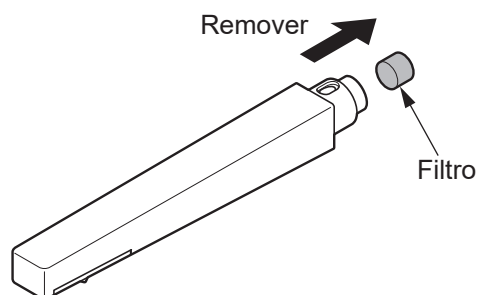
Se você limpar o bocal em uma pia, cubra o ralo para evitar a perda de peças pequenas.

3. Quando o parafuso estiver completamente solto, puxe o bocal para removê-lo.



4. Pince o filtro e retire-o do bocal.

5. Deixe o bocal e o filtro de molho em água quente por alguns minutos.



### Observação

Isso facilita a remoção de qualquer sabão que tenha aderido ao bocal.

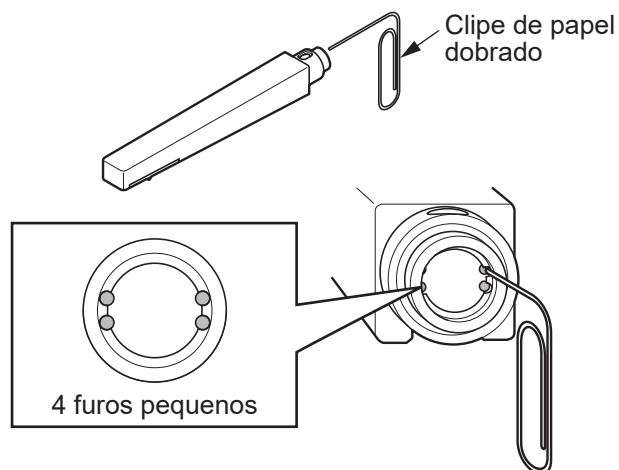
## MANUTENÇÃO PERIÓDICA - Bocal (continuação)

6. Remova o filtro da água quente e limpe-o com uma escova macia.

Enxágue o filtro e seque-o com um pano macio.

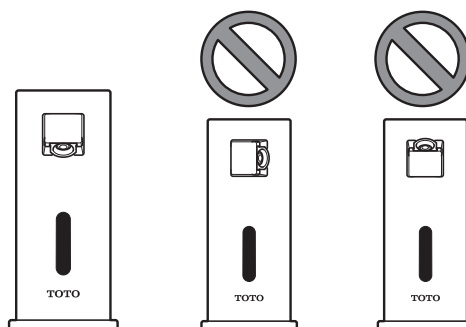


7. Remova o bocal da água quente. Use um clipe de metal para remover qualquer acúmulo de sabão dos 4 furos da entrada de sabão.



8. Prenda o filtro ao bocal quando a limpeza estiver concluída. Use uma chave de fenda Philips para aparafusar novamente o bocal na torneira.

### Como prender o bocal



### Observação

Ative o dispensador para se certificar de que não há vazamento.

### Cuidado

Sempre prenda o bocal com a saída do dispensador voltada para baixo.

Do contrário, o sabão pode espirrar para todos os lados.





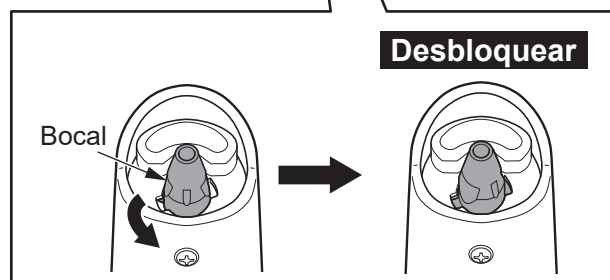
## MANUTENÇÃO PERIÓDICA - Bocal (continuação)

1. Desconecte a tomada de alimentação.

2. Gire o bocal manualmente para destravar.



3. Segure a projeção do bocal com uma ferramenta como um alicate de bico longo e remova o bocal e o filtro.



4. Limpe (lave com água) o bocal e o filtro.

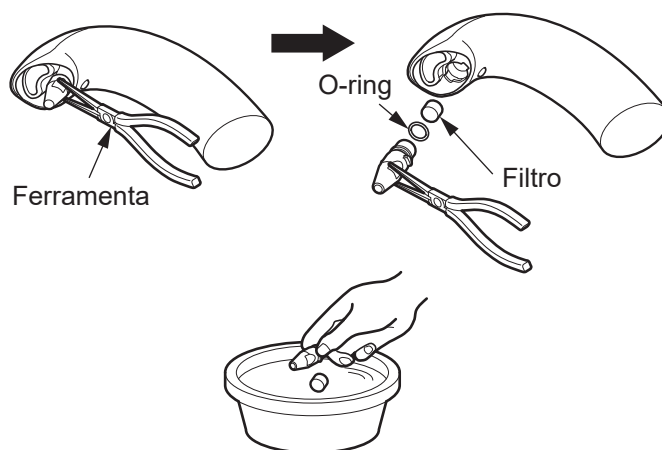
### Cuidado

Se lavar o bocal em uma pia, tampe o ralo. Essa peça é muito pequena e você pode perdê-la.

### Observação

Após lavar com água, elimine toda a umidade com um pano macio seco.

Se usar água quente para limpeza, a sujeira sai com mais facilidade.



5. Depois de lavar o bocal e o filtro, reinstale-os.

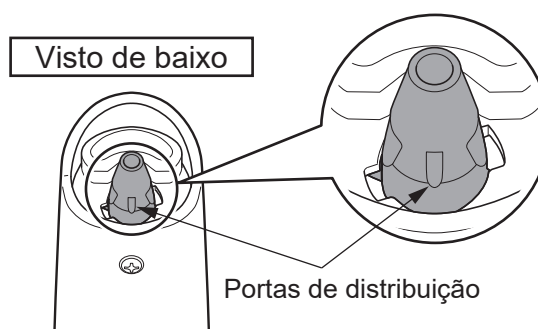
Ao instalar o bocal, gire manualmente para **travá-lo com o furo de distribuição virado para baixo**.

\* O bocal é feito de maneira a não ser inserido ao contrário.

### Observação

Depois de instalar o bocal, ligue o sabonete líquido e verifique se a água não vaza pela parte externa do bocal.

### • Como instalar o bocal



\* Instale o bocal de forma que o furo de distribuição fique virado para baixo. Do contrário, o sabonete líquido pode vazar.

## MANUTENÇÃO PERIÓDICA - Dentro da caixa

Para usar o produto de maneira adequada, limpe a parte interna da caixa conforme o procedimento descrito a seguir.

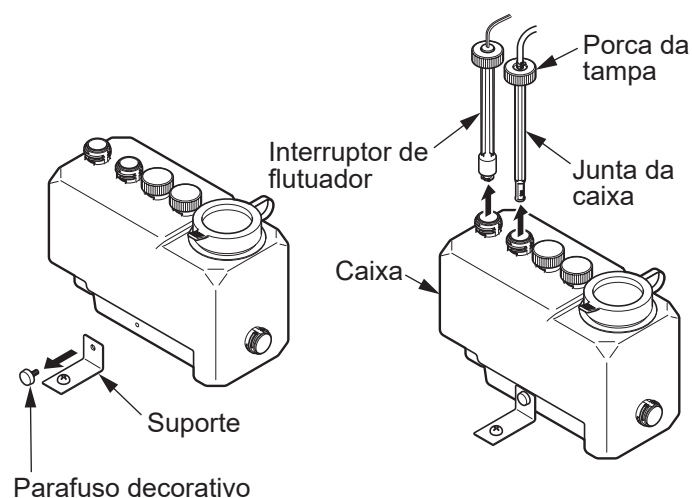
### [ Tipo caixa de 3 L (0,8 galão) ]

1. Remova a porca de tampa e remova o interruptor de flutuador e a junta da caixa.

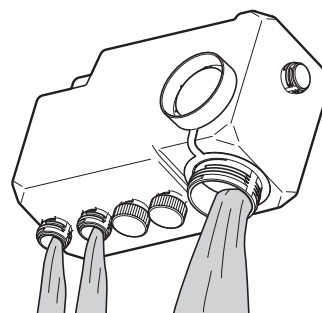
#### Observação

Guarde o interruptor de flutuador e a junta da caixa em um balde, ou algo assim, para evitar a aderência de poeira.

2. Remova o suporte.  
Se a caixa estiver fixada no chão ou na parede, gire os parafusos decorativos manualmente e desmonte a caixa.



3. Lave a caixa.

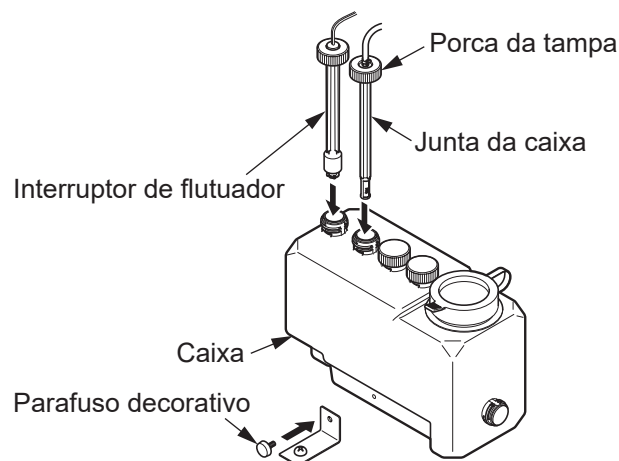


4. Recoloque a caixa na posição original.
5. Recoloque o interruptor de flutuador e a junta da caixa.

#### Observação

Instale a vedação entre a junta da caixa e a caixa, sem erros.

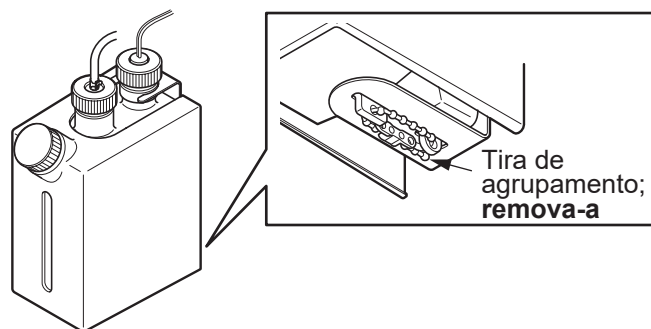
6. Instale a caixa ao suporte para fixação.



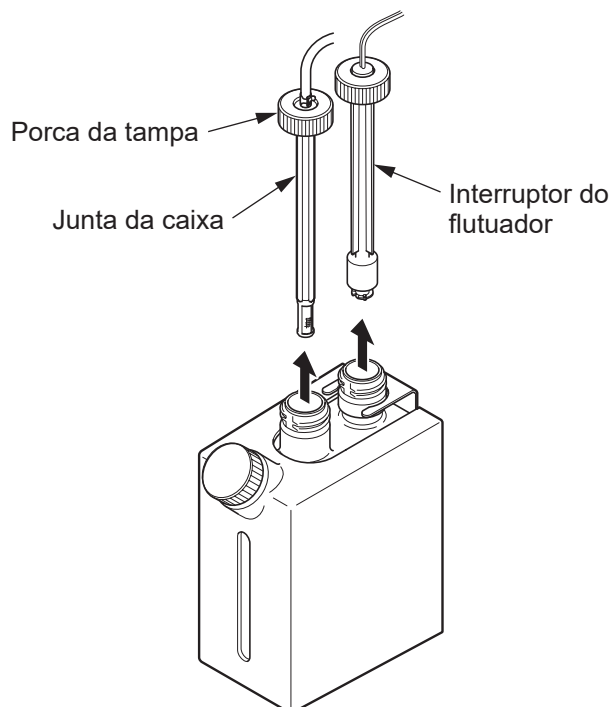
## MANUTENÇÃO PERIÓDICA - Dentro da caixa (continuação)

[ Tipo caixa de 1 L (0,26 gallon) (pedido especial) ]

1. Remova o suporte da parte inferior da caixa.

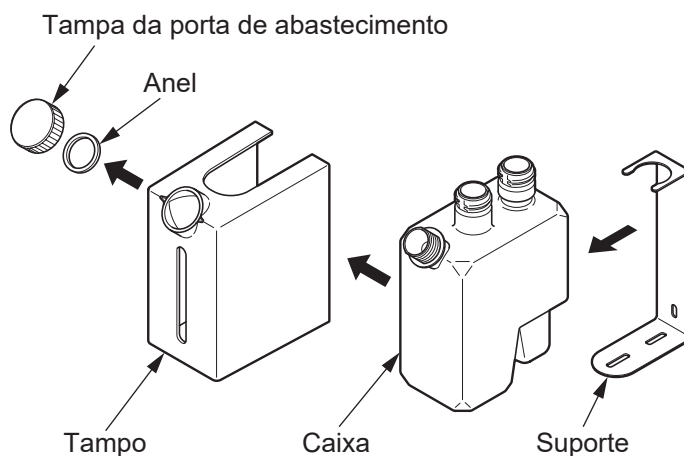


2. Remova a porca de tampa e remova o interruptor de flutuador e a junta da caixa.

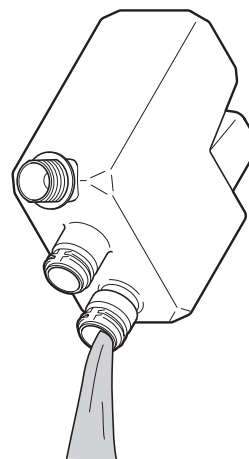


3. Remova a tampa da porta de abastecimento e o anel.

4. Remova o tampo e desmonte a caixa do suporte.



5. Lave a caixa.

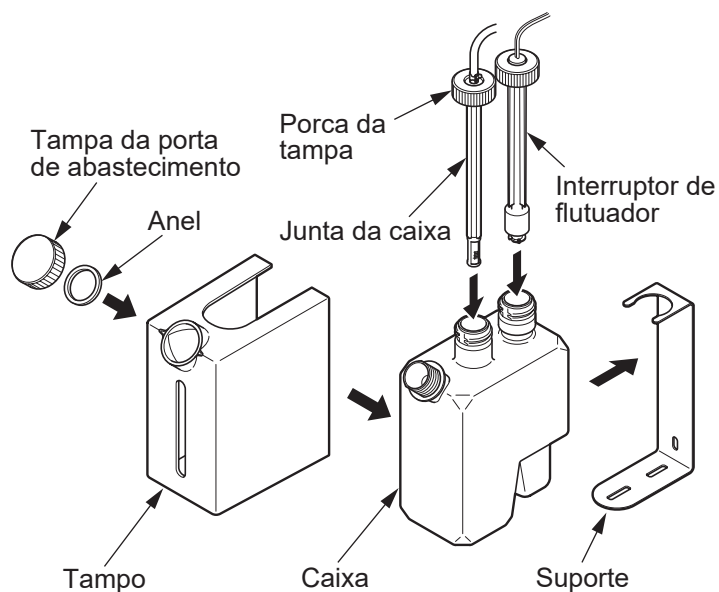


6. Recoloque a caixa na posição original.

7. Instale o interruptor de flutuador e a junta da caixa.

8. Instale o tampo, o anel e a tampa da porta de abastecimento.

9. Instale o suporte da parte inferior da caixa.



### Uma vez por mês

Verifique se existem sinais de vazamento em todas as conexões de tubo.

### Duas vezes por ano

Verifique todas as conexões fixas e aperte conforme necessário.

## INATIVIDADE POR LONGO PRAZO

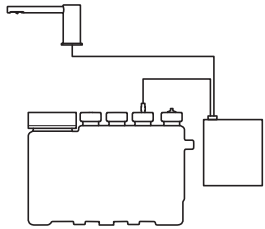
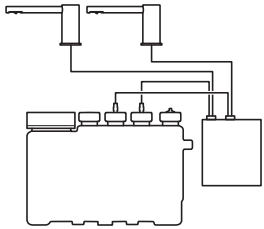
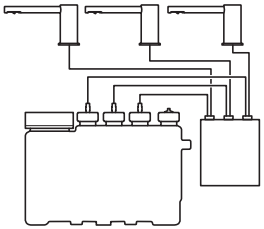
Se o distribuidor não for usado por um longo período, remova todo o sabonete do distribuidor pelo método descrito a seguir.

1. Remova o sabonete da caixa e lave-a com água.
2. Encha a caixa com água e instale o distribuidor como de costume.
3. Enxágue a linha com água ativando o distribuidor até não sair mais sabonete do bico.  
Coloque mais água, se necessário.
4. Elimine toda a água existente na caixa e deixe secar.
5. Desconecte a fonte de alimentação até voltar a usar o produto.

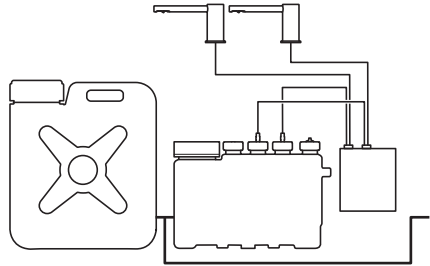
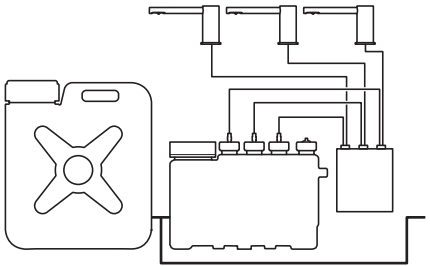
## IDENTIFICAÇÃO E SOLUÇÃO DE PROBLEMAS

Problema	Operacional	Motivo	Solução
O sabonete não sai	LED vermelho piscando	O volume de sabonete é baixo	Encha a caixa com sabonete líquido
		Obstrução na frente da janela do sensor	Remova a obstrução
	LED vermelho aceso	A bomba não está funcionando corretamente	-
	-	A janela do sensor está suja	Limpe a janela do sensor
	-	A janela do sensor está desconectada	Conecte o cabo
	-	A fonte de alimentação está desconectada	Conecte o cabo
O sabonete sai continuamente	-	A janela do sensor está suja	Limpe a janela do sensor
		O tubo de ar (azul) está desconectado	Conecte o tubo de ar
Não distribui mousse	-	A viscosidade do sabonete é alta	Troque para sabonete líquido aprovado pela TOTO
		O sabonete será distribuído automaticamente após 72 horas de inatividade para evitar obstrução.	-
A quantidade de sabonete distribuído é pequena	-	A viscosidade do sabonete é alta	Troque para sabonete líquido aprovado pela TOTO
		O filtro está obstruído	Limpe o filtro

## ESPECIFICAÇÕES

Não usar com subcaixa							
Nº do modelo de kits		TES201A*#\$\$	TES201A*i2#\$\$	TES202A*#\$\$	TES202A*i2#\$\$	TES203A*#\$\$	TES203A*i2#\$\$
<b>COMPO- NENTES</b>	<b>Bicos</b>	TLK0700*G TLK0800*G #\$\$ x 1 TLK03001G		TLK0700*G TLK0800*G #\$\$ x 2 TLK03001G		TLK0700*G TLK0800*G #\$\$ x 3 TLK03001G	
	<b>Controlador &amp; Caixa</b>	TLK01101UA x 1	TLK01101Ui2 x 1 (TLK01101U1A & Placa secundária)	TLK01102UA x 1	TLK01102Ui2 x 1 (TLK01102U1A & Placa secundária)	TLK01103UA x 1	TLK01103Ui2 x 1 (TLK01103U1A & Placa secundária)
<b>Configuração</b>							
<b>Especificações</b>	<b>Fonte de alimentação</b>	CA 120 V					
	<b>Voltagem</b>	4 W		6,5 W		9 W	
	<b>Faixa de detecção do sensor</b>	5-1/8" – 7-7/8" (130–200 mm) sensor é autoajustável					
	<b>Temperatura ambiente</b>	34–104°F (1–40°C)					
	<b>Umidade</b>	Máx. 90% RH					
	<b>Comprimento do cabo de força</b>	55" (1,4 m)					
	<b>Volume de sabonete</b>	1,2 ml (0,04 o.z) (configuração de fábrica)					
<b>Capacidade da caixa</b>	Aproximadamente 3 L (0,8 galão) (Capacidade utilizável)						

## ESPECIFICAÇÕES (continuação)

Usar com subcaixa					
Nº do modelo de kits		TES204A*#\$\$	TES204A*i2#\$\$	TES205A*#\$\$	TES205A*i2#\$\$
<b>COMPO- NENTES</b>	Bicos	TLK0700*G TLK0800*G #\$\$ x 2 TLK03001G		TLK0700*G TLK0800*G #\$\$ x 3 TLK03001G	
	Controlador & Caixa	TLK01106UA x 1	TLK01106Ui2 x 1 (TLK01106U1A & Placa secundária)	TLK01107UA x 1	TLK01107Ui2 x 1 (TLK01107U1A & Placa secundária)
	Subcaixa	TLK01401U x 1	TLK01401U x 1	TLK01401U x 1	TLK01401U x 1
Configuração					
<b>Especificações</b>	Fonte de alimentação	CA 120 V			
	Voltagem	6,5 W		9 W	
	Faixa de detecção do sensor	5-1/8" – 7-7/8" (130–200 mm) sensor é autoajustável			
	Temperatura ambiente	34–104°F (1–40°C)			
	Umidade	Máx. 90% RH			
	Comprimento do cabo de força	55" (1,4 m)			
	Volume de sabonete	1,2 ml (0,04 o.z) (configuração de fábrica)			
	Capacidade da caixa	23 L (6,1 galão) (Capacidade utilizável)			

## GARANTIA LIMITADA DE TRÊS ANOS

A garantia é aplicável apenas a válvulas de descarga eletrônicas, torneiras e distribuidores de sabonete específicos.

1. A TOTO garante que suas válvulas de descarga eletrônicas, torneiras e distribuidores de sabonete (“Produtos”) contra defeitos de material e de fabricação durante o uso normal quando instalados e submetidos à manutenção adequada, por um período de três (3) anos a partir da data da compra. Esta garantia limitada é estendida apenas ao COMPRADOR ORIGINAL do produto e não é transferível a terceiros, incluindo, mas não limitado a, qualquer comprador ou proprietário subsequente do produto. Esta garantia aplica-se somente a Produtos da TOTO comprados e instalados na América do Norte, Central e do Sul.
2. As obrigações da TOTO de acordo com esta garantia estão limitadas a reparos, substituições ou outros ajustes apropriados, a critério da TOTO, do Produto ou de peças que apresentem defeitos durante o uso normal, contanto que tal Produto tenha sido instalado, usado e submetido à manutenção adequada de acordo com as instruções. A TOTO se reserva o direito de realizar tais inspeções conforme necessário para determinar a causa do defeito. A TOTO não cobrará pela mão de obra ou por peças relacionadas a reparos ou substituições em garantia. A TOTO não é responsável pelo custo de remoção, devolução e/ou reinstalação do Produto.
3. Esta garantia não se aplica aos seguintes itens:
  - a. Danos ou perdas sofridos em desastres naturais como incêndios, terremotos, enchentes, trovoadas, tempestades elétricas, etc.
  - b. Danos ou perdas resultantes de quaisquer acidentes, uso excessivo, uso indevido, abuso, negligência ou de cuidados, limpeza ou manutenção inadequada do Produto.
  - c. Danos ou perdas resultantes de sedimentos ou corpos estranhos contidos em um sistema hidráulico.
  - d. Danos ou perdas resultantes de instalação inadequada ou instalação do Produto em um ambiente severo e/ou de risco, ou de remoção, reparos ou modificações inadequadas do Produto.
  - e. Danos ou perdas resultantes de oscilações de energia ou quedas de raios ou outros atos que não sejam de responsabilidade da TOTO ou aos quais o Produto não seja especificado para tolerar.
  - f. Danos ou perdas resultantes do desgaste normal e habitual, como redução do brilho, arranhões ou desbotamento ao longo do tempo devido ao uso, práticas de limpeza ou condições atmosféricas ou da água, incluindo mas não limitado ao uso de alvejante, limpadores alcalinos, ácidos, limpadores a seco (em pó) ou qualquer outro limpador abrasivo ou o uso de escovas de metal ou náilon.
4. Para esta garantia limitada ser válida, é necessário o comprovante de compra. A TOTO incentiva o registro da garantia durante a compra para criar um registro de propriedade do Produto em <http://www.totousa.com>. O registro do produto é completamente voluntário e não registrar não diminuirá os seus direitos da garantia limitada.
5. ESTA GARANTIA CONCEDE AO USUÁRIO DIREITOS LEGAIS ESPECÍFICOS. VOCÊ PODE TER OUTROS DIREITOS QUE VARIAM DE ESTADO A ESTADO, PROVÍNCIA A PROVÍNCIA OU DE PAÍS A PAÍS.
6. Para obter o serviço de reparo de acordo com esta garantia, você deve levar o produto ou enviá-lo com frete pré-pago a uma instalação de serviço da TOTO junto com o comprovante de venda (recibo original de venda) e uma carta declarando o problema, ou entrar em contato com um distribuidor ou fornecedor de serviços dos produtos da TOTO, ou escrever diretamente para TOTO U.S.A., INC., 1155 Southern Road, Morrow, GA 30260, telefone (888) 295 8134, ou +1 (678) 466-1300, se estiver fora dos EUA. Se por causa do tamanho do Produto ou natureza do defeito, o Produto não puder ser devolvido para a TOTO, o recebimento pela TOTO de um aviso por escrito do defeito em conjunto com o comprovante de compra (recibo original de venda) constituirá a entrega. Neste caso, a TOTO pode escolher consertar o Produto no local do comprador ou pagar para transportar o Produto para uma instalação de serviço.

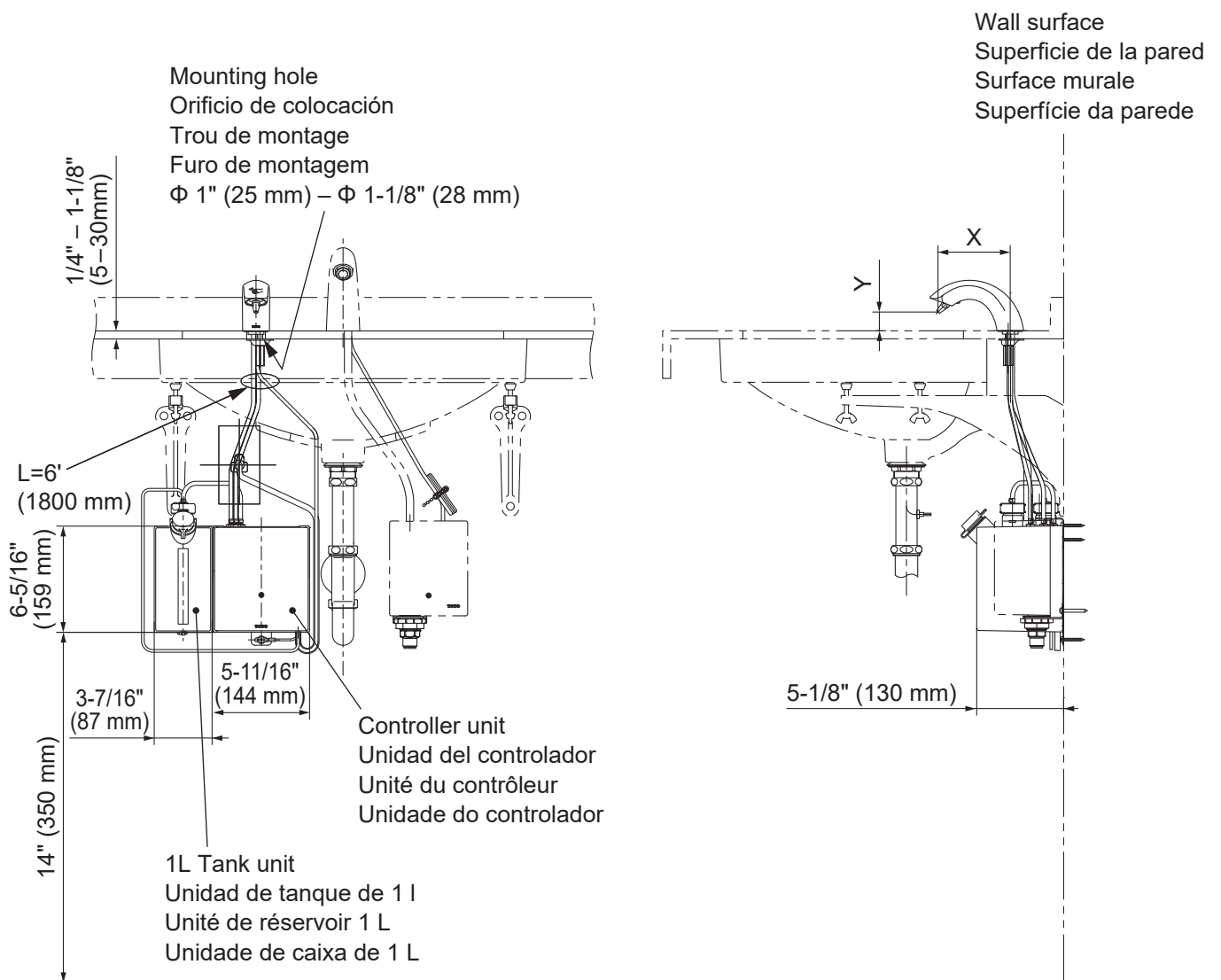
**ESTA GARANTIA POR ESCRITO É A ÚNICA GARANTIA FEITA PELA TOTO. REPAROS, SUBSTITUIÇÕES OU OUTROS AJUSTES APROPRIADOS CONFORME FORNECIDOS SOB ESTA GARANTIA SERÃO O ÚNICO RECURSO DISPONÍVEL AO COMPRADOR ORIGINAL. A TOTO NÃO SERÁ RESPONSÁVEL PELA PERDA DO PRODUTO OU POR OUTROS DANOS OU GASTOS INCIDENTAIS, ESPECIAIS OU CONSEQUENTES INCORRIDOS PELO COMPRADOR ORIGINAL OU POR CUSTOS DE MÃO DE OBRA OU OUTROS DEVIDO À INSTALAÇÃO OU REMOÇÃO, OU CUSTOS DE REPAROS FEITOS POR TERCEIROS, OU POR QUALQUER OUTRO GASTO NÃO DECLARADO ESPECIFICAMENTE ACIMA. EM NENHUM CASO A RESPONSABILIDADE DA TOTO EXCEDERÁ O PREÇO DE COMPRA DO PRODUTO. EXCETO QUANTO À EXTENSÃO PROIBIDA POR LEI APLICÁVEL, QUAISQUER GARANTIAS IMPLÍCITAS, INCLUINDO A DE COMERCIALIZAÇÃO OU ADEQUAÇÃO PARA USO OU PARA UMA FINALIDADE ESPECÍFICA, ESTÃO EXPRESSAMENTE EXCLUÍDAS. ALGUNS ESTADOS NÃO PERMITEM LIMITAÇÕES QUANTO AO PRAZO DE UMA GARANTIA IMPLÍCITA OU A EXCLUSÃO OU LIMITAÇÃO DE DANOS INCIDENTAIS OU CONSEQUENTES, PORTANTO A LIMITAÇÃO E EXCLUSÃO ACIMA PODEM NÃO SE APLICAR A SEU CASO.**



**EN** ROUGH - IN DIMENSIONS  
**ES** DIMENSIONES DE LA ESTRUCTURA INTERIOR  
**FR** DIMENSIONS DE LA PLOMBERIE BRUTE  
**PT** DIMENSÕES APROXIMADAS

(Unit: Inch (mm))  
(Unidad: pulgada (mm))  
(Unité : pouce (mm))  
(Unidade: polegada (mm))

[ 0.26 gallon (1L) Tank Type (special order)]



Spout	X	Y
TLK03001G	4-5/16" (108 mm)	1-1/8" (28 mm)
TLK07001G/TLK08001G	4-5/16" (108 mm)	2-17/32" (63 mm)
TLK07003G	4-5/16" (108 mm)	3-7/32" (81 mm) – 4-7/32" (106 mm)
TLK08002G	4-5/16" (108 mm)	3-7/32" (81 mm) – 4-7/32" (106 mm)
TLK08003G	4-5/16" (108 mm)	3-7/32" (81 mm) – 4-7/32" (106 mm)

**EN ROUGH - IN DIMENSIONS (continued)**

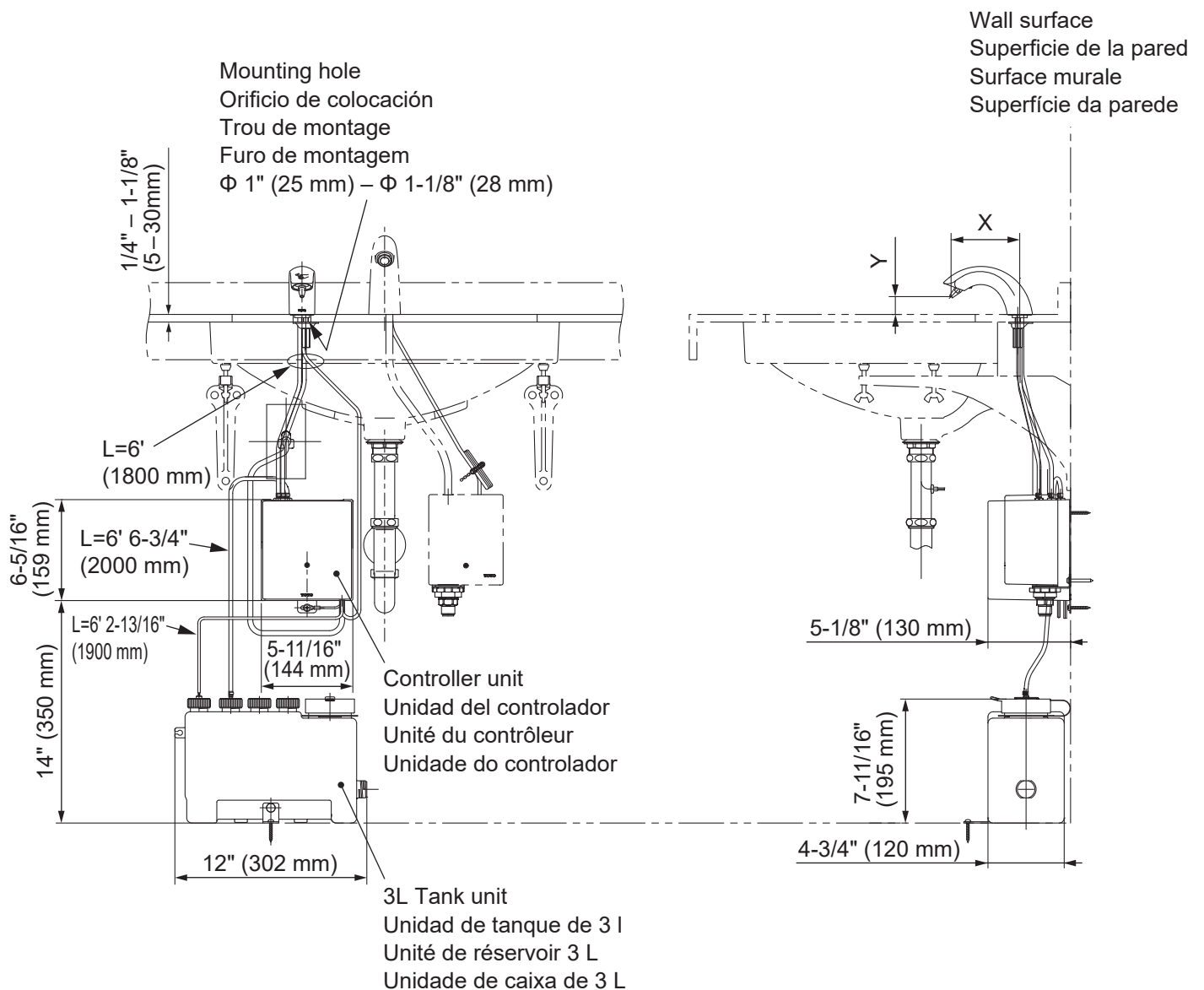
**ES DIMENSIONES DE LA ESTRUCTURA INTERIOR (continuación)**

**FR DIMENSIONS DE LA PLOMBERIE BRUTE (suite)**

**PT DIMENSÕES APROXIMADAS (continuação)**

(Unit: Inch (mm))  
 (Unidad: pulgada (mm))  
 (Unité : pouce (mm))  
 (Unidade: polegada (mm))

**[ 0.8 gallon (3L) Tank Type ]**



Spout	X	Y
TLK03001G	4-5/16" (108 mm)	1-1/8" (28 mm)
TLK07001G/TLK08001G	4-5/16" (108 mm)	2-17/32" (63 mm)
TLK07003G	4-5/16" (108 mm)	3-7/32" (81 mm) – 4-7/32" (106 mm)
TLK08002G	4-5/16" (108 mm)	3-7/32" (81 mm) – 4-7/32" (106 mm)
TLK08003G	4-5/16" (108 mm)	3-7/32" (81 mm) – 4-7/32" (106 mm)

# TOTO

TOTO U.S.A., Inc. 1155 Southern Road,  
Morrow, Georgia 30260  
Tel: 888-295-8134 Fax: 800-699-4889  
[www.totousa.com](http://www.totousa.com)

0GU4292  
Rev B



03P14B

## Warranty Registration and Inquiry

For product warranty registration, TOTO U.S.A. Inc. recommends online warranty registration. Please visit our web site <http://www.totousa.com>. If you have questions regarding warranty policy or coverage, please contact TOTO U.S.A. Inc., Customer Service Department, 1155 Southern Road, Morrow, GA 30260 (888) 295-8134 or (678) 466-1300 when calling from outside of U.S.A.