



---

**Installation instructions**

Wall Mounted Sink





Important information

4



Installation

10



## About these instructions

These mounting instructions come as part of the Duravit product and are to be read carefully prior to the installation.

## Target readership and qualifications

This is a professional grade product. A working knowledge of construction techniques and code compliant plumbing installation are required for proper installation and user satisfaction. The product must be installed by a licensed plumber.

## Explanation of the signal words and symbols

### NOTE!

To avoid property damage



Link to the **mounting instructions** in this section



Inspection (e.g. for scratches)



Check for leaks and leak-tightness



Indication of the length of time (e.g. 10 minutes)

## Safety instructions

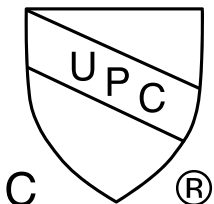
### Product and/or property damage

The breach of local and country-specific regulations and standards can cause damage to the product and/or property damage.

> Observe the local installation regulations and any country-specific standards at all times.

### Prior to installation

Please read the specifications sheets prior to installation. Specification sheets are available for download at [www.pro.duravit.us](http://www.pro.duravit.us).

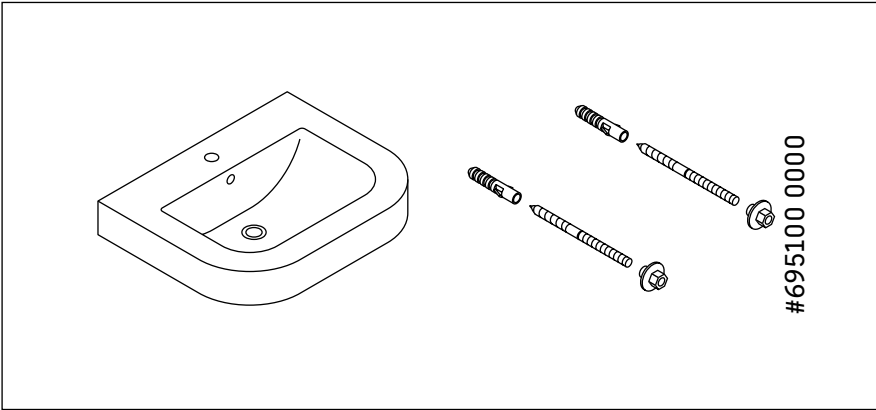


### Products are in compliance with the following codes:

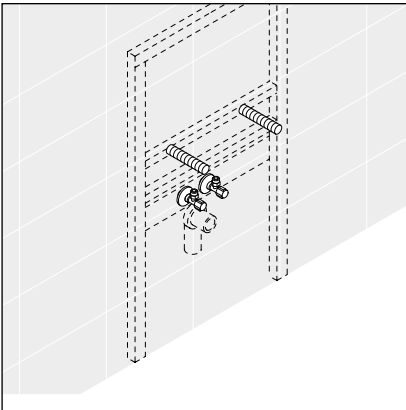
- Uniform Plumbing Code (UPC®)
- National Plumbing Code of Canada
- Following standards: ASME A112.19.2/CSA B45.1



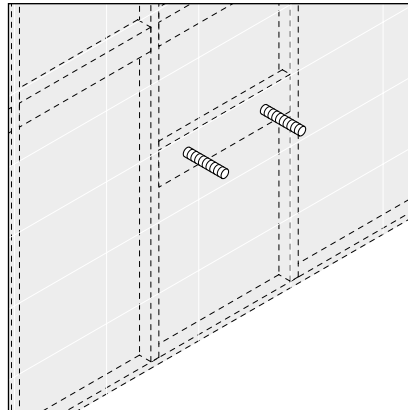
**Delivery contents**



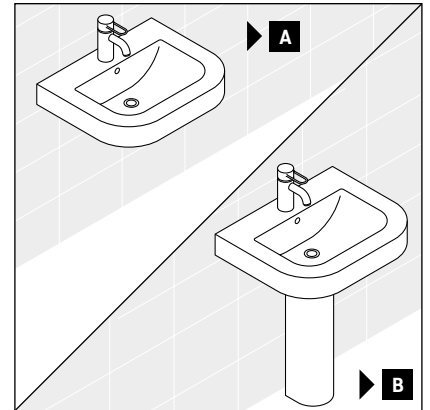
The sink will include mounting hardware model # 695100 0000.  
 The plastic anchors provided are for concrete wall applications. For wood stud walls, the lag bolts should be screwed into the wood backing.



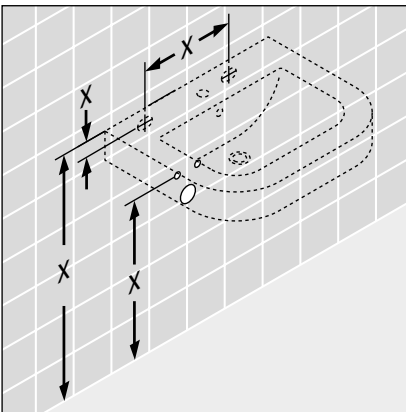
When mounting the sink on a pre-wall carrier, install the mounting bolts to the element.



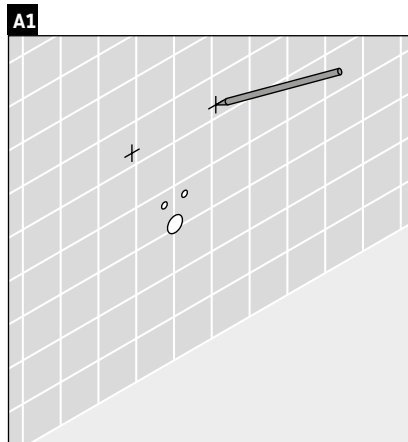
When mounting the sink into a wood stud wall, there must be adequate bracing. We recommend doubling up 2x6's or 2x8's between the studs to form a solid anchoring point. Reference the sink specification sheet to establish the height and the spacing of the mounting bolts.



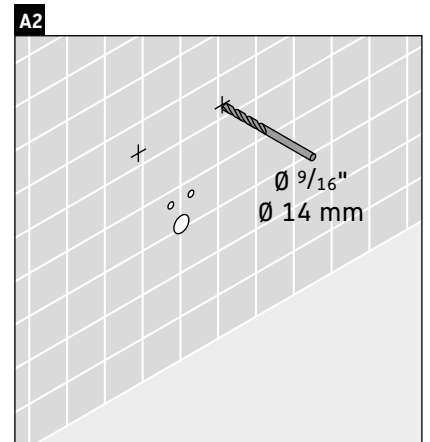
Sink  
 > Continue with mounting A  
 Sink with pedestal  
 > Continue with mounting B



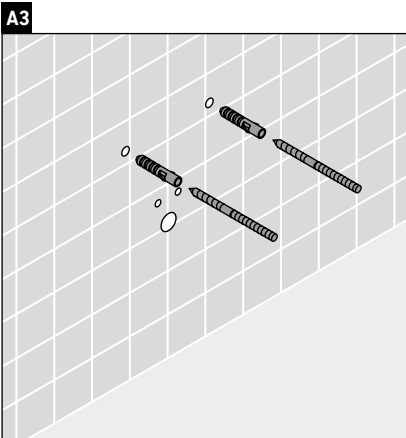
The sink specification sheet will provide the recommended mounting height and show the location of the mounting holes. (The height can be adjusted to your personal preference)



> Mark the location of the mounting holes.

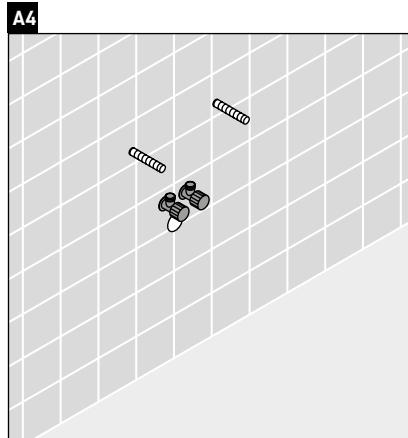


> Using the appropriate bit for the wall material, drill pilot holes.

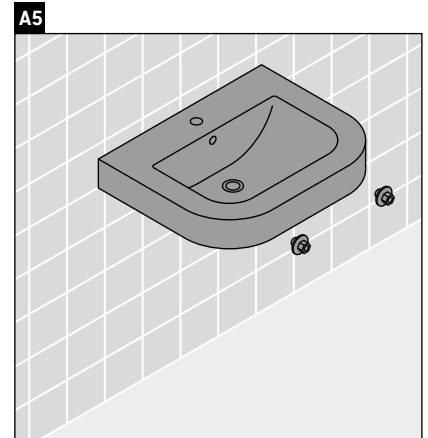


Please note if the sink will be mounted on a concrete wall application, anchors must be used.

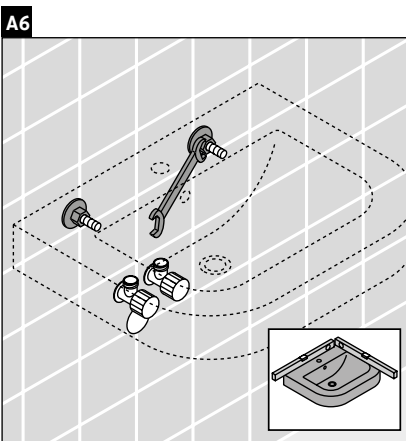
- > Screw mounting bolts into the pre-drilled holes with an adjustable wrench.
- > Screw in the full length of the mounting bolt, so the lag thread is no longer visible.



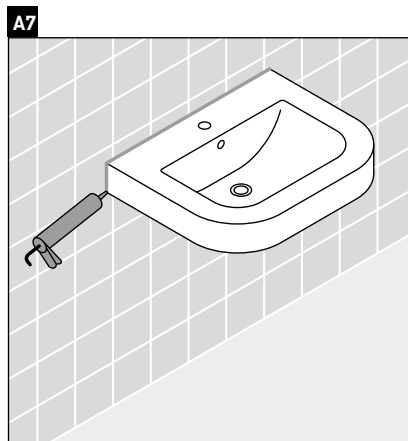
> Install shut off valves according to manufacturer's installation instructions.



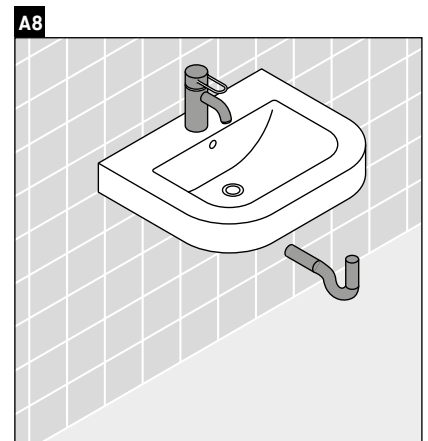
- > Carefully slide sink onto the mounting bolts.
- > Insert white plastic sleeve over the bolt and into the hole of the sink.
- > Install provided washer and nut.
- > Hand tighten the nut so the sink is secure.



- > Leveling the sink: the white plastic sleeves protect the china from the metal bolt and allow for slight adjustment in the height of the sink to level it.



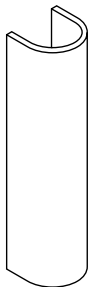
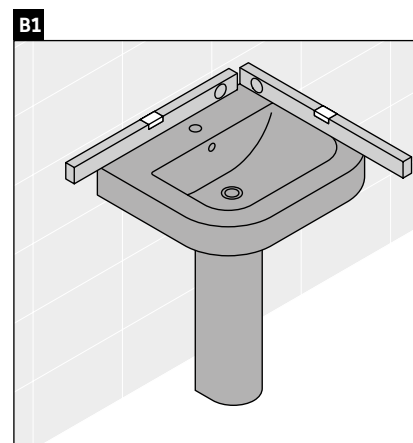
- > Apply silicone around sink edges.



- > Install faucet and p-trap assembly according to manufacturer's installation instructions.



\*  
 #085810...., #085824...., #085827....,  
 #085829...., #085833...., #085836....,  
 #085839...., #086327...., #086330....,  
 #086341...., #086386...., #086398....,  
 #086502...., #086516...., #262200....,  
 #085770...., #086321...., #086320....,  
 #086308...., #085791...., #085790....,  
 #085842....

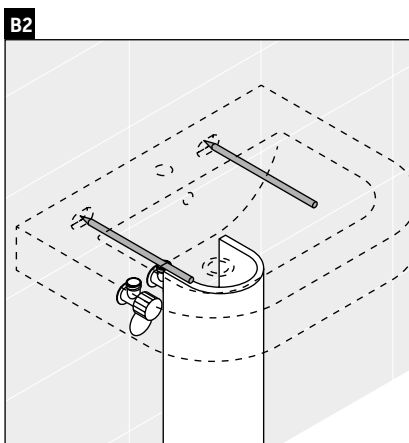
- > Set sink on pedestal leg carefully, then using a level, properly align the sink.

Pedestal

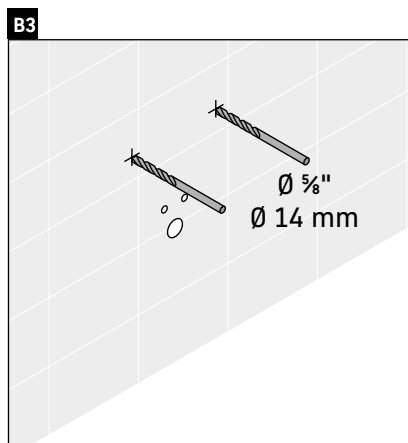
**Note!**

Pedestal may only be installed with corresponding listed sink.

- > Scan QR Code on packaging label or visit the webaddress [qr.duravit.com/"articalnumber"](http://qr.duravit.com/) to get listed sink.



- > Mark the location of the mounting holes.
- > Mark the location of the back edge where the sink meets the wall.



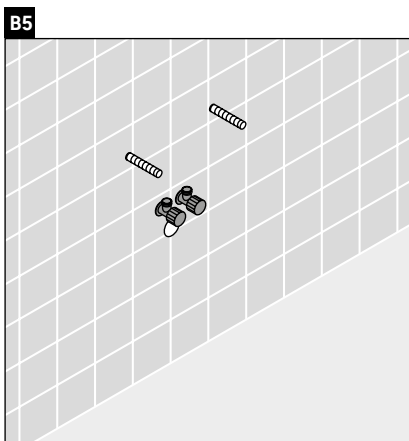
- > Using the appropriate bit for the wall material, drill pilot holes.



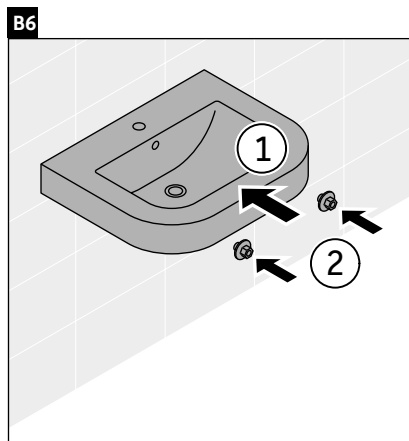
Please note if the sink will be mounted on a concrete wall application, anchors must be used.

- > Screw mounting bolts into the pre-drilled holes with an adjustable wrench.
- > Screw in the full length of the mounting bolt, so the lag thread is no longer visible.

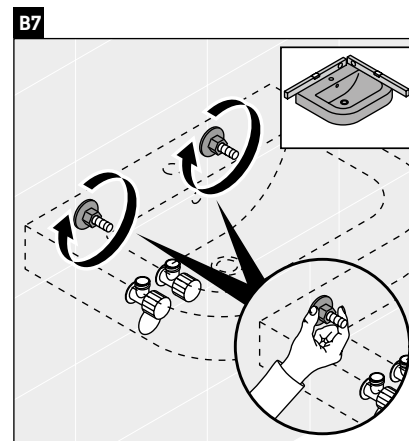




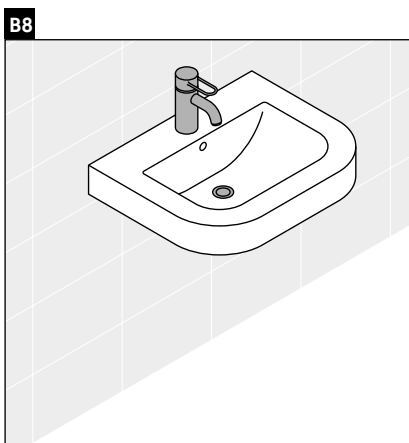
- > Install shut off valves according to manufacturer's installation instructions.



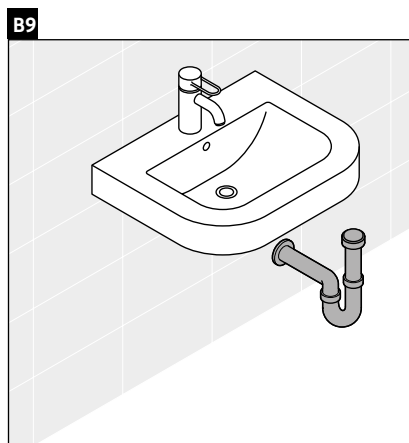
- > Carefully slide sink onto the mounting bolts.
- > Insert white plastic sleeve over the bolt and into the hole of the sink.
- > Install provided washer and nut.
- > Hand tighten the nut so the sink is secure.



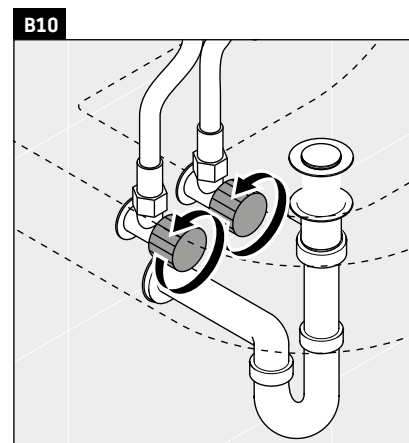
- > Leveling the sink: the white plastic sleeves protect the china from the metal bolt and allow for slight adjustment in the height of the sink to level it.



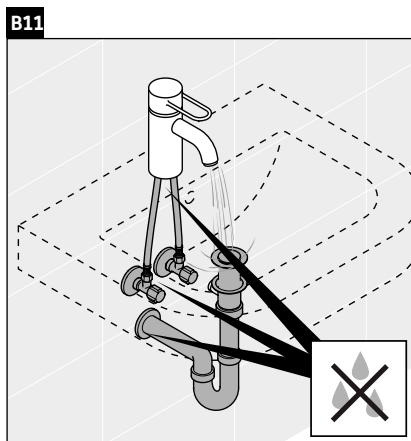
- > Install the faucet according to the corresponding installation instructions.



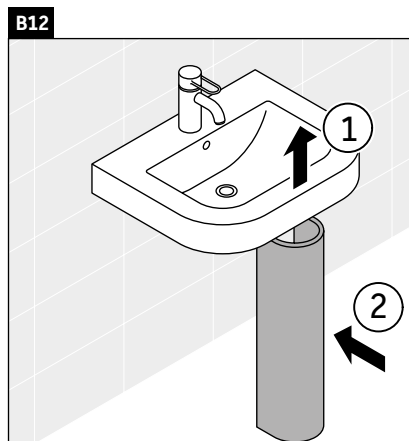
- > Install the p-trap according to the corresponding installation instructions.



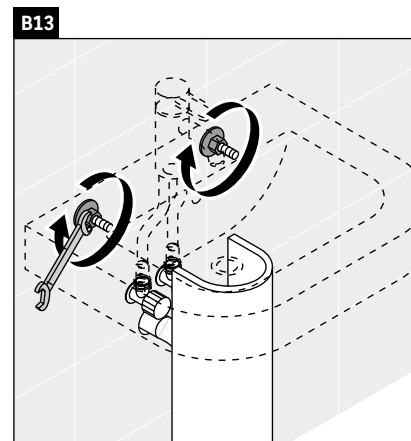
- > Turn on shut off valves to test water flow to faucet and flush valve.



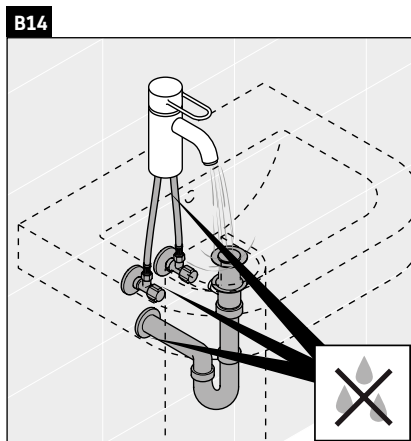
- > Test faucet and flush valve to ensure there are no leaks.



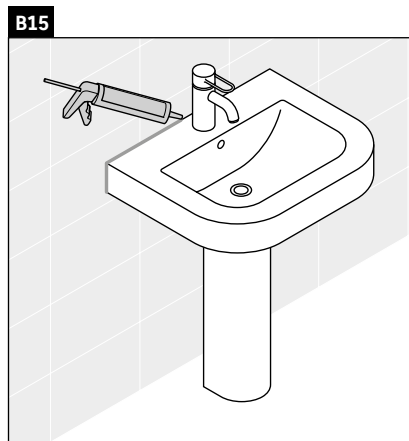
- > Gently lift the front of the sink to allow pedestal to slide underneath. Slightly loosen mounting if needed to allow for safe lift of basin lip.



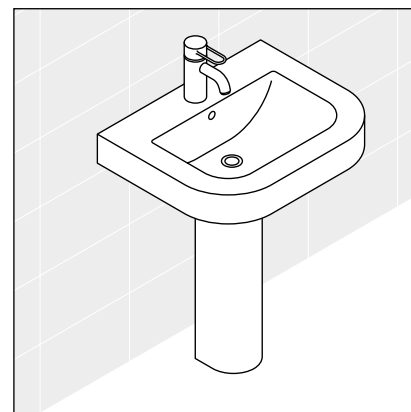
- > Tighten mounting bolts with wrench to secure. Inspect and adjust for proper level.
- > Sink should sit snug upon pedestal base.



- > Test faucet and flush valve to ensure there are no leaks.



- > Apply silicone around sink edges.



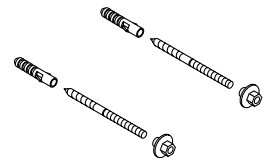
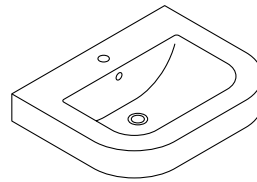


**DURAVIT USA, INC.**  
2635 North Berkeley Lake Rd., Ste. 100  
Duluth, GA 30096  
Toll Free 888-DURAVIT  
Phone 770-931-3575  
Fax 770-931-8454  
info@us.duravit.com  
www.duravit.us





#085810....., #085824....., #085827.....,  
 #085829....., #085833....., #085836.....,  
 #085839....., #086327....., #086330.....,  
 #086341....., #086386....., #086398.....,  
 #086502....., #086516....., #262200.....,  
 #085770....., #086321....., #086320.....,  
 #086308....., #085791....., #085790.....,  
 #085842....., #085844.....



#695100 0000

