

Commercial Flushometer Back Spud Wall-Hung Toilet – 1.0/1.28/1.6 GPF

FEATURES

- TORNADO FLUSH® is a sustainable, high-performance system that effectively removes waste, utilizing 360° of cleaning power to scour the bowl and rim
- Wall-mounted
- Elongated front bowl
- Optional CEFIONTECT® ceramic glaze minimizes waste from sticking to porous ceramic surfaces
- Clear glazed trapway coating
- Maximum static load rating of 1000 lbs when used with appropriate wall carrier

MODELS

- **CT728CUV**
Commercial wall-mounted toilet with 1-1/2" back spud inlet, less seat
- **CT728CUVG**
Commercial wall-mounted toilet with 1-1/2" back spud inlet, less seat with CEFIONTECT



ADDITIONAL ITEMS

- SC534 seat
- SC134 seat
- THU111 Retro-fit mounting bolt cap set (4 pcs)

ECOPOWER®	
Concealed	
*TET2UB31#SS	1.0 GPF
◆TET2UA31#SS	
*TET2LB31#SS	1.28 GPF
◆TET2LA31#SS	
TET2GB31#SS	1.6 GPF
◆TET2GA31#SS	
Concealed	
*TET3UB31#SS	1.0 GPF
◆TET3UA31#SS	
*TET3LB31#SS	1.28 GPF
◆TET3LA31#SS	
TET3GB31#SS	1.6 GPF
◆TET3GA31#SS	

*WaterSense Listed

◆Limited Inventory

 TORNADO FLUSH  CEFIONTECT

COLORS/FINISHES

- #01 Cotton

PRODUCT SPECIFICATION

The wall-mounted, low consumption siphon jet flushing toilet shall be 1.0, 1.28, or 1.6 GPF (3.8, 4.8, or 6.0 LPF) when paired with a flush valve of corresponding flush volume. Toilet shall have optional CEFIONTECT ceramic glaze. Toilet can be mounted at ADA height. Toilet shall be TOTO Model CT728CUV(G)_____.

CODES/STANDARDS

- Meets and exceeds ASME A112.19.2/CSA B45.1
- Certifications: IAPMO(cUPC), State of Massachusetts, City of Los Angeles, and others
- Code compliance: UPC, IPC, NSPC, NPC Canada, and others
- ADA compliant
- Complies with CA Prop 65 warning requirements
- To complete a WaterSense listed combination, the bowl must be paired with a flush valve which is EPA WaterSense listed



CT728CUV(G)

Commercial Flushometer Back Spud Wall-Hung Toilet – 1.0/1.28/1.6 GPF

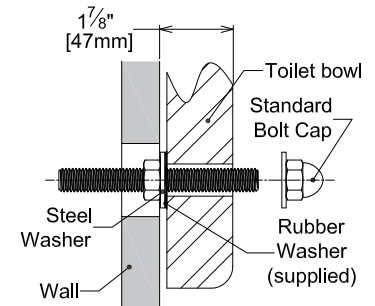
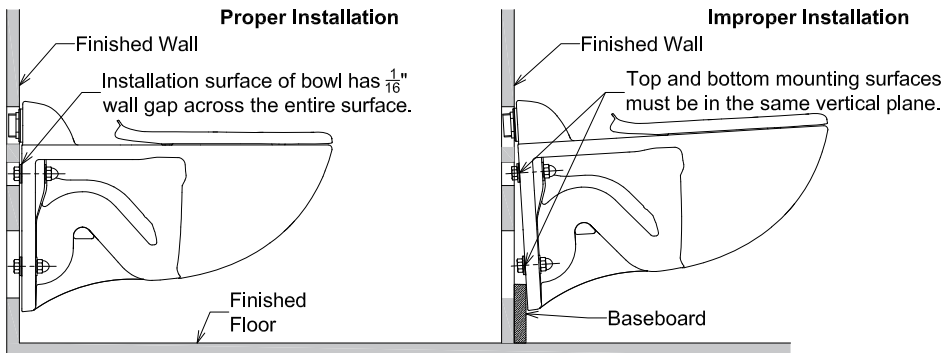
SPECIFICATIONS

Water Use	1.0/1.28/1.6 GPF (3.8/4.8/6.0 LPF)
Flush System	Siphon Jet Flushing Action
Water Surface	9-1/4" x 7"
Water Pressure	Min: 25 psi (Flowing) Max: 80 psi (Static)
Min. Flow Rate	24 GPM
Trap Diameter	2-1/8"
Trap Seal	2-1/8"
Material	Vitreous China
Warranty	One Year Limited Warranty
Shipping Weight	59.5 lbs.
Shipping Dimensions	19-1/8" L x 14-3/4" W x 29-1/8" H

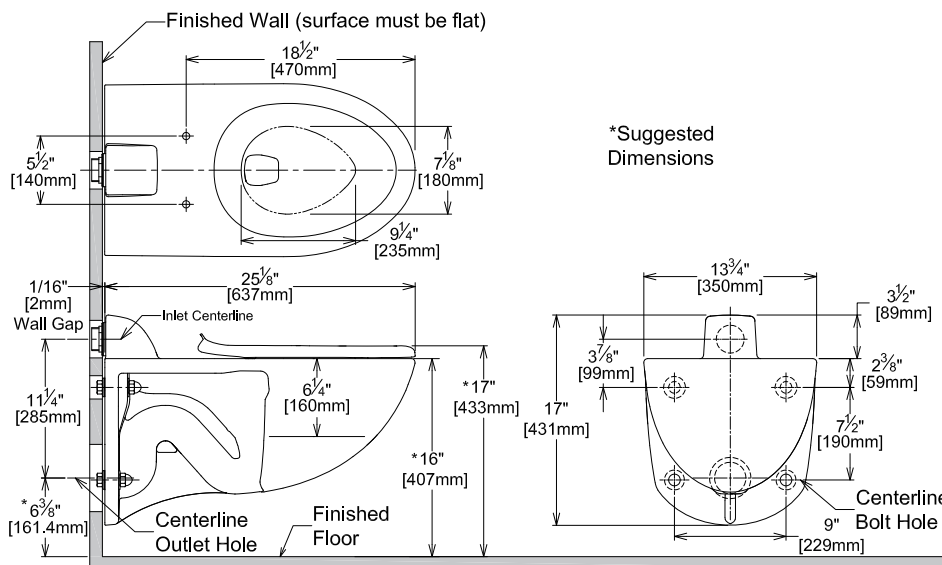
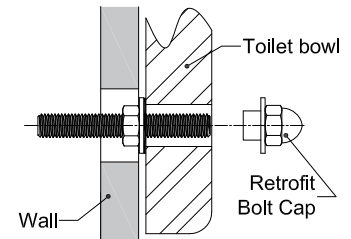
INSTALLATION NOTES

Spuds are unique for TOTO product. For replacement spuds, contact TOTO for part number THU073R. Can be used with exposed or concealed top inlet flush valves.

DIMENSIONS



Note: If carrier bolt doesn't extend/or is flush with china, use retrofit bolt caps THU111 (sold separately)



TOTO

These dimensions and specifications are subject to change without notice