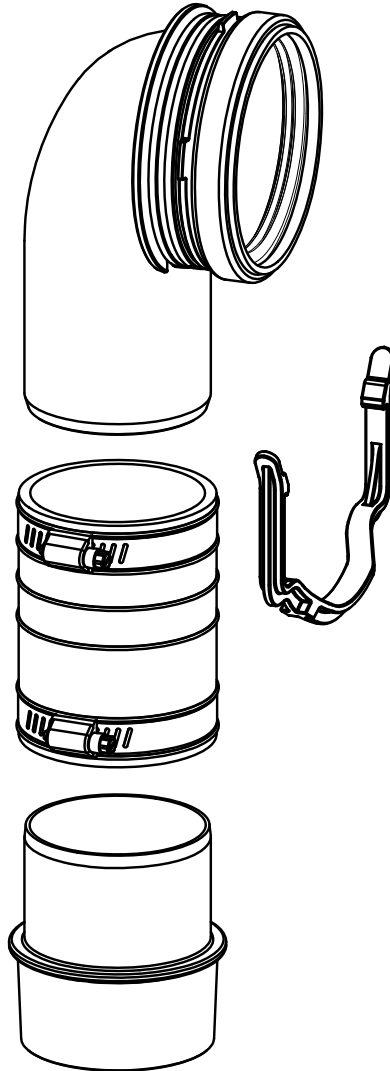


**2x4 DuoFit™ In Wall Tank System Drain Kit**  
**2x4 DuoFit™ Sistema de Tanque Empotrado Salida de drenaje juego**  
**2x4 DuoFit™ Système de Réservoir Mural Sortie de vidange**



**THU343**

**Warranty Registration and Inquiry**

For product warranty registration, TOTO U.S.A. Inc. recommends online warranty registration. Please visit our web site <http://www.totousa.com>. If you have questions regarding warranty policy or coverage, please contact TOTO U.S.A. Inc., Customer Service Department, 1155 Southern Road, Morrow, GA 30260 (888) 295-8134 or (678) 466-1300 when calling from outside of U.S.A.

## TABLE OF CONTENTS

Thanks for Choosing TOTO!.....	2
Common Tools Needed.....	2
Included Parts.....	2
Before Installation .....	2
Installation Procedure .....	3-6
Washlet® Kit Installation Procedure .....	7
Servicing Procedures .....	8
Warranty.....	9

## THANKS FOR CHOOSING TOTO!

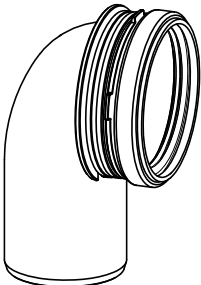
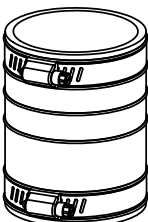
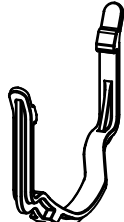
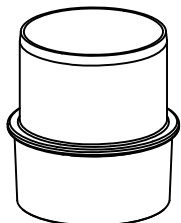

The mission of TOTO is to provide the world with healthy, hygienic and more comfortable lifestyles. We design every product with the balance of form and function as a guiding principle. Congratulations on your choice.

## COMMON TOOLS NEEDED

- |                                                                                                                                   |                                                                                                                                                                           |
|-----------------------------------------------------------------------------------------------------------------------------------|---------------------------------------------------------------------------------------------------------------------------------------------------------------------------|
| <ul style="list-style-type: none"> <li>• Hacksaw</li> <li>• Flat File</li> <li>• Drill</li> <li>• 1/8" (3mm) Drill Bit</li> </ul> | <ul style="list-style-type: none"> <li>• 3-1/2" (89mm) Hole Saw</li> <li>• 7/16" Open or Boxed-end Wrench</li> <li>• Tape Measure</li> <li>• Carpenter's Level</li> </ul> |
|-----------------------------------------------------------------------------------------------------------------------------------|---------------------------------------------------------------------------------------------------------------------------------------------------------------------------|

## INCLUDED PARTS

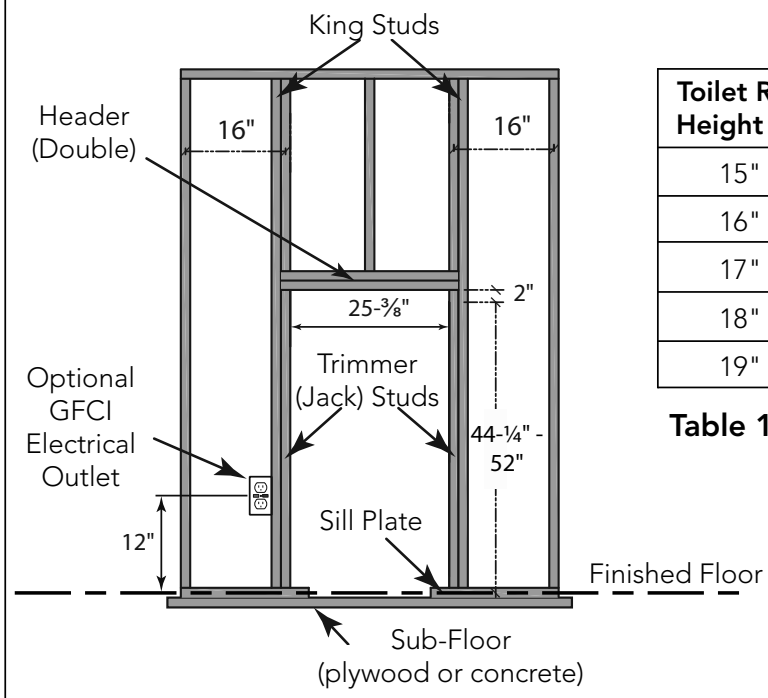
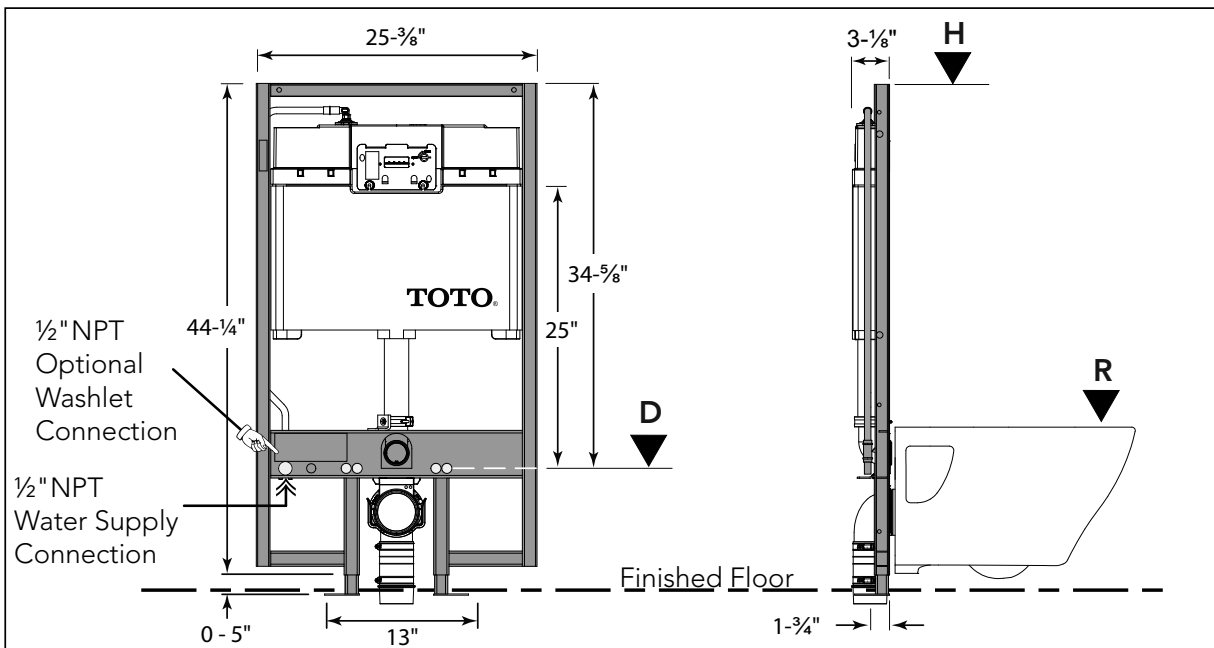
Check to make sure you have all these parts from the package:

				
Elbow Drain Pipe with Gasket	Flexible Coupling	Lower Bracket	Adapter	Installation Manual

## BEFORE INSTALLATION

- Read these instructions thoroughly before beginning work.
- Please leave these instructions for the customer. They contain important maintenance and warranty information.
- If necessary, remove the existing toilet.
- **CAUTION!** Be sure to properly purge all air from the piping system prior to using any TOTO products. Trapped/compressed air can cause damage to the flushing system and toilet bowl.

Prepare the support for the carrier as shown. Consult with a building contractor and/or local codes for any additional requirements. Add double wall studs, a double header stud and a jack stud per the shown dimensions. Confirm that the opening is square.



Toilet Rim Height (R)	System Height (H)	Mounting Rod Height (D)
15"	46-1/4"	11-1/2"
16"	47-1/4"	12-1/2"
17"	48-1/4"	13-1/2"
18"	49-1/4"	14-1/2"
19"	50-1/4"	15-1/2"

**Table 1:** Dimensions measured from Finished Floor

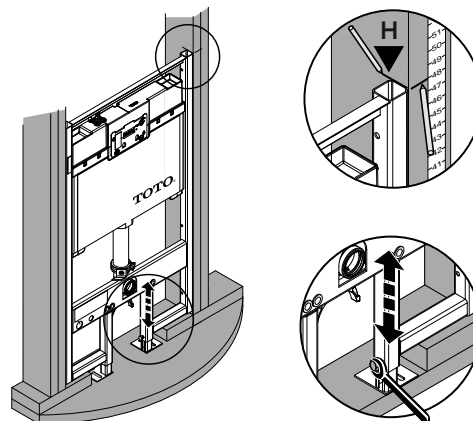
## INSTALLATION PROCEDURE

### Installing the In-Wall Tank System

Loosen the bolts on the adjustable legs and place the carrier onto the wood frame.

Adjust the carrier to the desired height with reference to the Finished Floor (see Table 1 for guide) and marked on the wood frame.

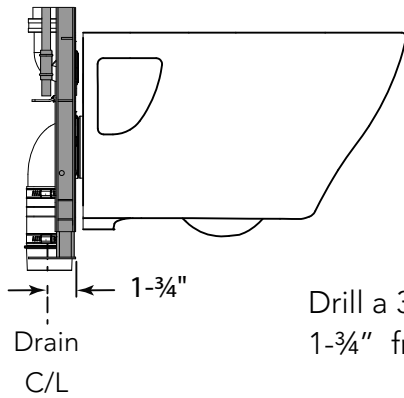
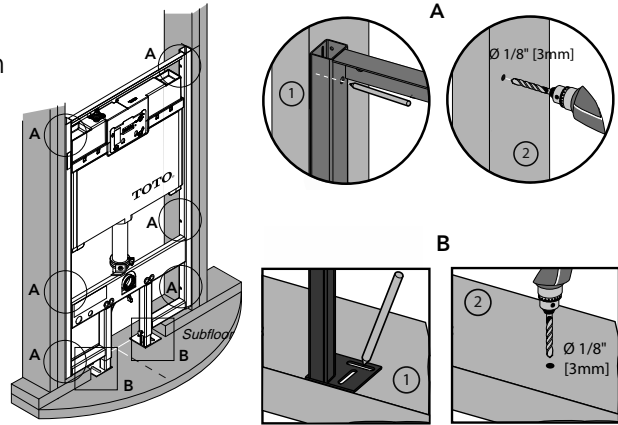
Tighten the two bolts on the legs to secure the height of the carrier.



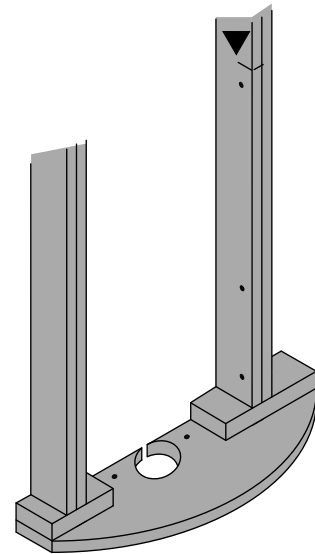
## Installing the In-Wall Tank System (continued)

Mark the location for drilling pilot holes for the screws to secure the carrier to the wood frame.

There are six (6) screws for the side (3 on each side) and two on the feet. Make sure the carrier is flush with the wood frame before placing the markings. Remove the carrier from the wood frame, drill six (6) 1/8" holes on the wall stud (Trimmer/Jack) and two (2) on the subfloor (plywood); for concrete, drill 3/8" holes for anchors.



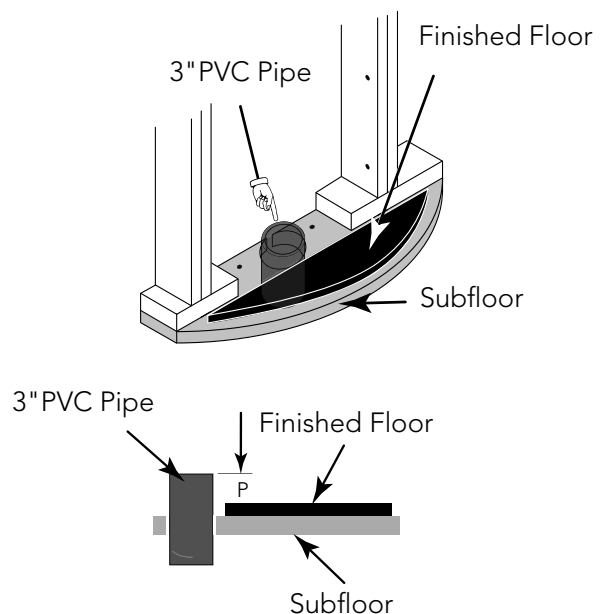
Drill a 3-1/2" hole on the subfloor 1-3/4" from the front of studs.



The 3" PVC drain pipe coming from the subfloor has a maximum length from the Finished Floor based on the toilet rim height. Refer to Table 2.

Toilet Rim Height (R)	Drain Length (P)
15"	1/2"
16"	1-1/2"
17"	2-1/2"
18"	3-1/2"
19"	4-1/2"

Table 2: Dimensions measured from Finished Floor

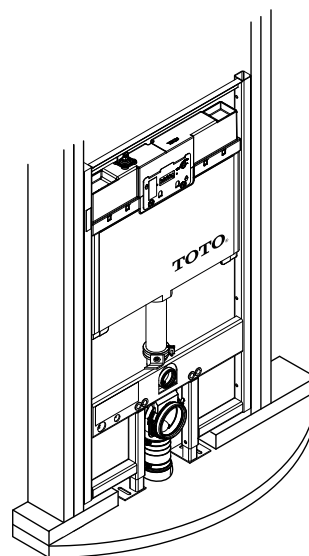


With the PVC pipe cut to the desired length, glue the Adapter to the pipe. Use the Flex Coupling to join the Adapter and the Elbow Pipe without tightening the clamps. Place the carrier into the wood frame, make sure the Carrier is level horizontally and flush with the front face of the studs frame.

Use the screws provided for securing the Carrier. Adjust the Elbow Pipe so that it connects with the upper bracket on the Carrier and use the lower bracket to lock it. Tighten the clamps on the flexible coupling.

Plumb the water supply line and check for leaks.

Insert the rough-ins for the inlet and outlet, foam rough-in for the push plate and the two (2) lag screws for the mounting bowl on the inner holes.



ENGLISH

## Cutting Out the Wall Location

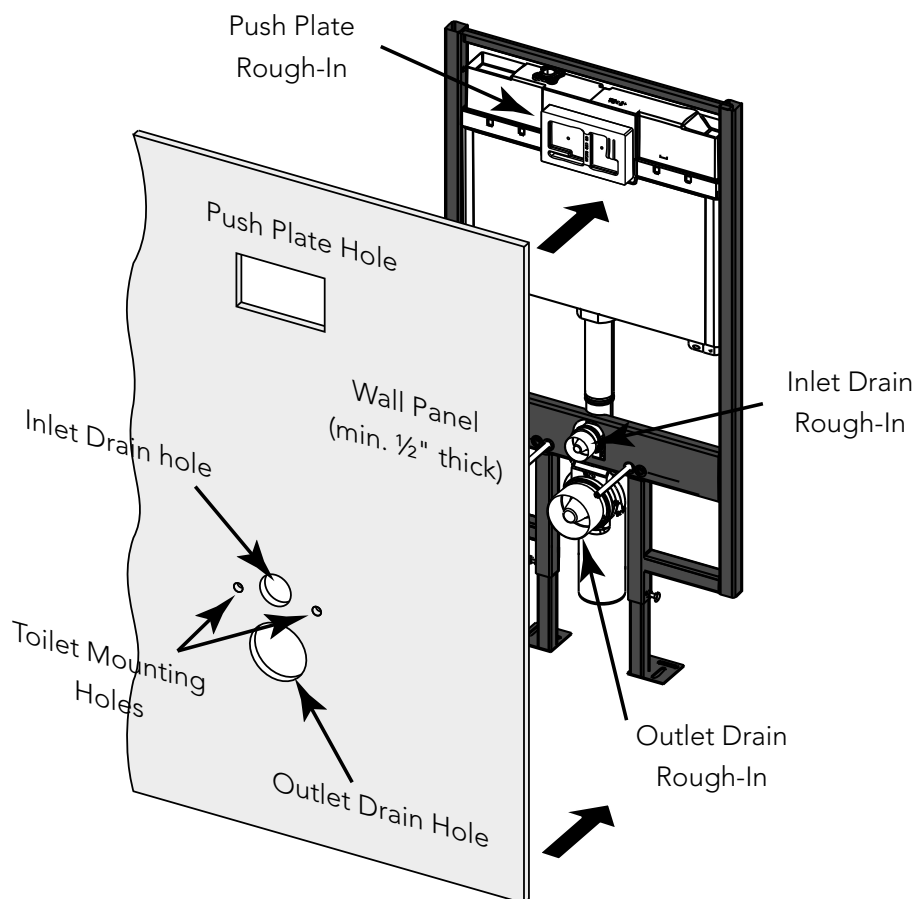
Recommended minimum 1/2" (13mm) drywall installation. Use the protruding parts on the carrier to locate the cuts on the wall.

Cut a 4-1/2" (114mm) diameter hole for the outlet drain.

Cut a 2-3/8" (60mm) diameter hole for the water inlet.

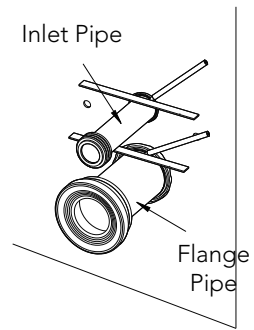
Cut two 3/4" (19mm) diameter holes for the mounting screw studs.

Cut a 7-1/2" (191mm) x 4-5/8" (117mm) hole for the push plate.



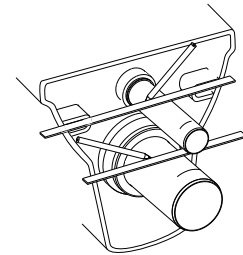
## Installing Toilet on the In-Wall Tank System

- 1) Apply soapy water in the inlet and outlet drain to facilitate installation. Insert the inlet pipe into the tank drain outlet until it stops. Place the edge of a ruler against the finished wall and on top of the inlet pipe. Mark the location as shown and remove the inlet pipe. Repeat this process with the flange pipe.

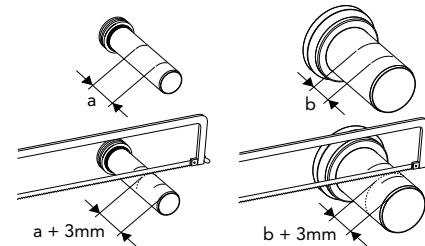


- 2) Insert the inlet pipe end with the gasket into the back of the toilet bowl.

Place the edge of a ruler against the whole width of the back of the toilet and on top of the inlet pipe. Mark the location as shown and remove the inlet pipe. Repeat this process with the flange pipe.

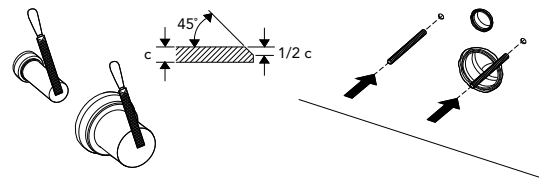


- 3) Measure the length between the 2 markings and add 3mm. From that dimension, mark the cutting line by measuring from the edge opposite from the gasket and saw off the excess. Repeat this process for the flange pipe.

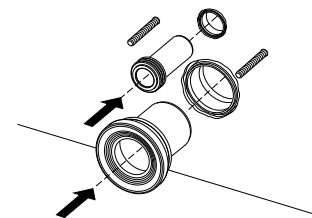


- 4) Bevel the cutting edges as shown.

Screw the tank drain outlet into the toilet mounting stud, leaving 2-1/8" (54mm) of the screws exposed.



- 5) Insert the inlet pipe and the flange pipe into the appropriate drain holes.



- 6) Install the toilet bowl by aligning it with the pipes and mounting stud. Use the included mounting hardware to secure the bowl.



## INSTALLING TOTO WASHLET®

Follow the instruction to install the Washlet on the toilet per manual provided with the product.

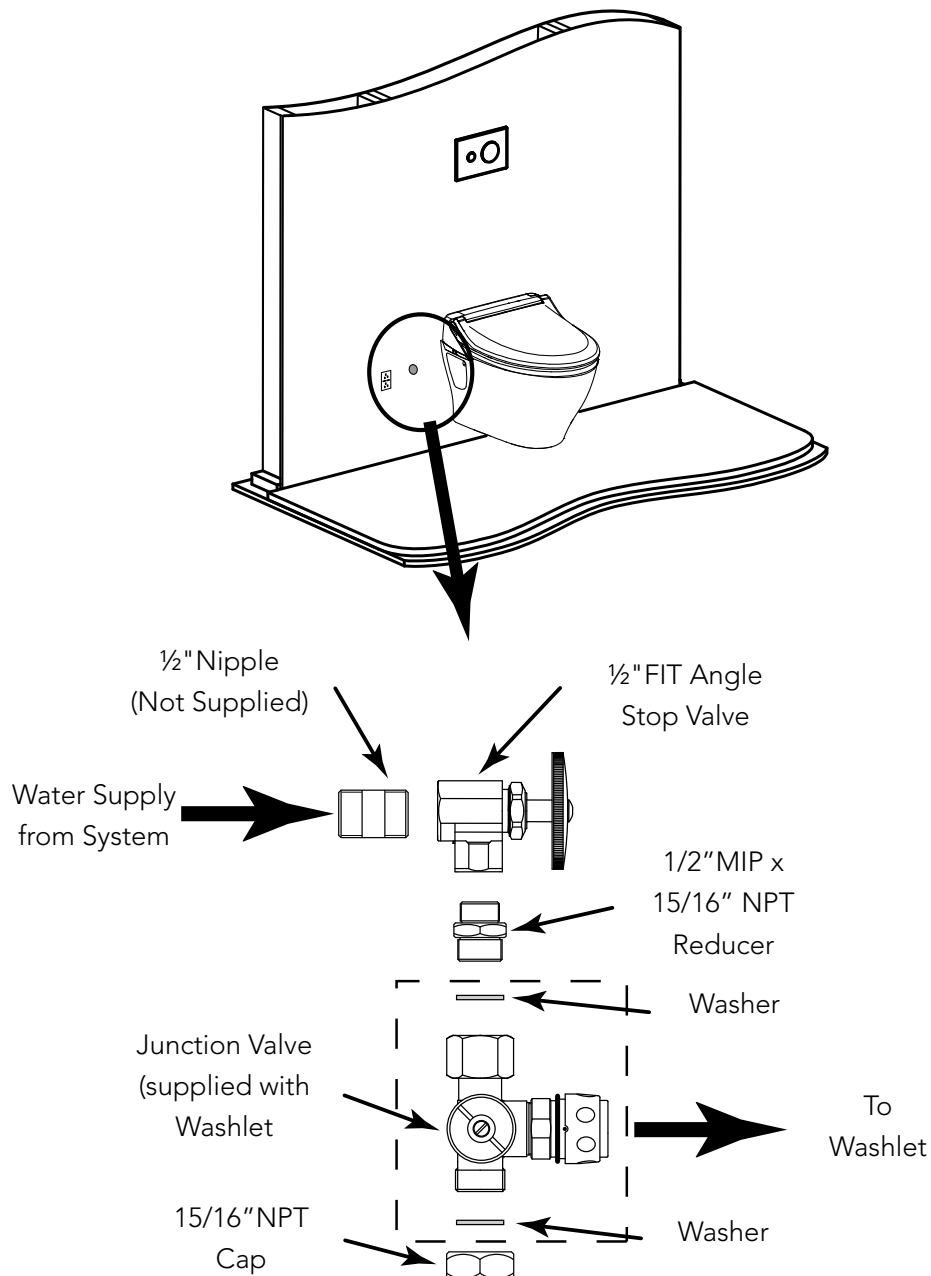
An installation kit (p/n: THU383) is required to install the water supply connection. (Stop Valve, Reducer & Cap).

Follow the diagram below to install the components. Use teflon tape (not provided) as sealant between the joints. The length fo the nipple will vary based on the thickness of the wall panel.

Connect the Washlet connection hose (supplied with Washlet) to the junction valve and the Washlet.

**Warning:** After installing the components, check all connections for any leak.

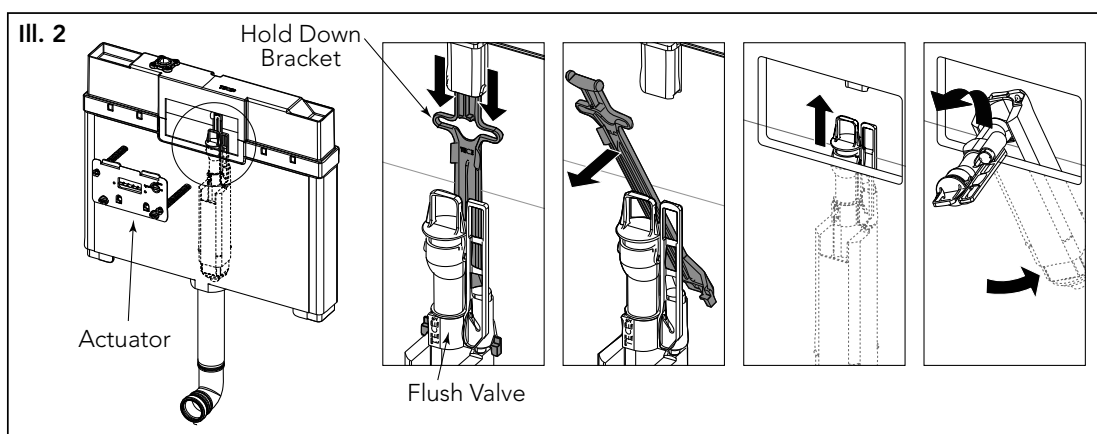
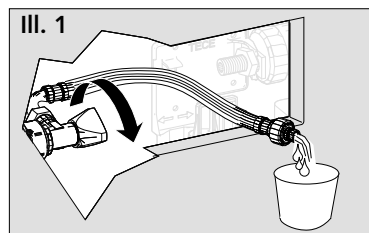
ENGLISH



## SERVICING PROCEDURES

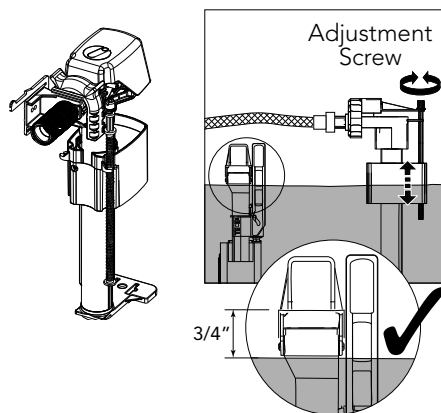
### Servicing and/or Replacing the Flush Valve

- 1) Remove the actuator by turning the two grey knobs a half-turn counterclockwise and pull it out.
  - 2) Turn off the stop valve (see III. 1).
  - 3) Press down on the hold down bracket to remove it (see III. 2).
  - 4) Hold the top of the flush valve and pull upward. While pulling, fold the upper tubes of the flush valve towards and tilt it sideways to remove it.
  - 5) At the other end of the flush valve, the rubber piece can be removed for cleaning or to be replaced.
- To reinstall the flush valve, repeat these steps in reverse.



### Adjusting the Water Level in the Tank

- 1) Follow the procedure to remove the flush valve, then push down on the red tab in the right side of the tank and pull on the fill valve assembly with bracket.
- NOTE: There is no need to remove the hose from the fill valve.
- 2) Turn the adjustment screw clockwise to increase the water level and counterclockwise to lower it.
  - 3) Replace the fill valve and flush valve and open the stop valve.
  - 4) Check the water level and adjust as necessary until it reaches 3/4" below the overflow tube.



### Cleaning the Filter of the Fill Valve

- 1) Follow the procedure to remove the flush valve.
- 2) Unscrew the hose from the fill valve.
- 3) Use a needle nose plier to remove the filter from the inlet hole of the fill valve.
- 4) Rinse the filter under water and use a small brush to remove any debris that may be on the filter screen.
- 5) Reverse the procedure to replace the fill valve.



## WARRANTY

ENGLISH

1. TOTO warrants its In Wall Tank System ("Product") to be free from defects in materials and workmanship during normal use when properly installed and serviced, for a period of one (1) year from date of purchase. This limited warranty is extended only to the ORIGINAL PURCHASER of the Product and is not transferable to any third party, including but not limited to any subsequent purchaser or owner of the Product. This warranty applies only to TOTO Product purchased and installed in North, Central and South America.
2. TOTO's obligations under this warranty are limited to repair, replacement or other appropriate adjustment, at TOTO's option, of the Product or parts found to be defective in normal use, provided that such Product was properly installed, used and serviced in accordance with instructions. TOTO reserves the right to make such inspections as may be necessary in order to determine the cause of the defect. TOTO will not charge for labor or parts in connection with warranty repairs or replacements. TOTO is not responsible for the cost of removal, return and/or reinstallation of the Product.
3. This warranty does not apply to the following items:
  - a. Damage or loss sustained in a natural calamity such as fire, earthquake, flood, thunder, electrical storm, etc.
  - b. Damage or loss resulting from any accident, unreasonable use, misuse, abuse, negligence, or improper care, cleaning, or maintenance of the Product.
  - c. Damage or loss resulting from sediments or foreign matter contained in a water system.
  - d. Damage or loss resulting from improper installation or from installation of the Product in a harsh and/or hazardous environment, or improper removal, repair or modification of the Product. (NOTE: Product model codes allow a maximum of 80 PSI. Check local codes or standards for requirements).
  - e. Damage or loss resulting from electrical surges or lightning strikes or other acts which are not the fault of TOTO or which the Product is not specified to tolerate.
  - f. Damage or loss resulting from normal and customary wear and tear, such as gloss reduction, scratching or fading over time due to use, cleaning practices or water or atmospheric conditions.
  - g. Tank flushing mechanisms of plastic or rubber moving parts.
  - h. Toilet seats of plastic, wood or metal.
4. In order for this limited warranty to be valid, proof of purchase is required. TOTO encourages warranty registration upon purchase to create a record of Product ownership at <http://www.totousa.com>. Product registration is completely voluntary and failure to register will not diminish your limited warranty rights.
5. THIS WARRANTY GIVES YOU SPECIFIC LEGAL RIGHTS. YOU MAY HAVE OTHER RIGHTS WHICH VARY FROM STATE TO STATE, PROVINCE TO PROVINCE OR COUNTRY TO COUNTRY.
6. To obtain warranty repair service under this warranty, you must take the Product or deliver it prepaid to a TOTO service facility together with proof of purchase (original sales receipt) and a letter stating the problem, or contact a TOTO distributor or products service contractor, or write directly to TOTO U.S.A., INC., 1155 Southern Road, Morrow, GA 30260 (678) 466-1300 or (888) 295 8134, if outside the U.S.A. If, because of the size of the Product or nature of the defect, the Product cannot be returned to TOTO, receipt by TOTO of written notice of the defect together with proof of purchase (original sales receipt) shall constitute delivery. In such case, TOTO may choose to repair the Product at the purchaser's location or pay to transport the Product to a service facility.

**WARNING!** TOTO shall not be responsible or liable for any failure of, or damage to, this Product caused by either chloramines in the treatment of public water supply or cleaners containing chlorine (calcium hypochlorite). NOTE: The use of a high concentrate chlorine or chlorine related products can seriously damage the fittings. This damage can cause leakage and serious property damage.

THIS WRITTEN WARRANTY IS THE ONLY WARRANTY MADE BY TOTO. REPAIR, REPLACEMENT OR OTHER APPROPRIATE ADJUSTMENT AS PROVIDED UNDER THIS WARRANTY SHALL BE THE EXCLUSIVE REMEDY AVAILABLE TO THE ORIGINAL PURCHASER. TOTO SHALL NOT BE RESPONSIBLE FOR LOSS OF THE PRODUCT OR FOR OTHER INCIDENTAL, SPECIAL OR CONSEQUENTIAL DAMAGES OR EXPENSES INCURRED BY THE ORIGINAL PURCHASER, OR FOR LABOR OR OTHER COSTS DUE TO INSTALLATION OR REMOVAL, OR COSTS OF REPAIRS BY OTHERS, OR FOR ANY OTHER EXPENSE NOT SPECIFICALLY STATED ABOVE. IN NO EVENT WILL TOTO'S RESPONSIBILITY EXCEED THE PURCHASE PRICE OF THE PRODUCT. EXCEPT TO THE EXTENT PROHIBITED BY APPLICABLE LAW, ANY IMPLIED WARRANTIES, INCLUDING THAT OF MERCHANTABILITY OR FITNESS FOR USE OR FOR A PARTICULAR PURPOSE, ARE EXPRESSLY DISCLAIMED. SOME STATES DO NOT ALLOW LIMITATIONS ON HOW LONG AN IMPLIED WARRANTY LASTS, OR THE EXCLUSION OR LIMITATION OF INCIDENTAL OR CONSEQUENTIAL DAMAGES, SO THE ABOVE LIMITATION AND EXCLUSION MAY NOT APPLY TO YOU.

## ÍNDICE

¡Gracias Por Elegir TOTO!.....	11
Herramientas Necesarias Común.....	11
Partes incluidas.....	11
Antes de la Instalación.....	11
Procedimiento de Instalación .....	12-16
Procedimiento de Servicio .....	17
Garantía .....	18

## ¡GRACIAS POR ELEGIR TOTO!

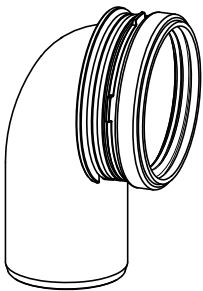
La misión de TOTO es dar al mundo estilos de vida más saludables, higiénicos y cómodos. Diseñamos cada producto guiándonos por el principio del equilibrio entre forma y función. Felicitaciones por su elección.

## HERRAMIENTAS QUE NECESITA

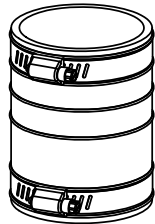
- Sierra de Arco
- Archivo Plano
- Taladro
- 1/8" (3mm) Taladro Broca
- Sierra Perforadora 3-1/2" (89mm)
- Llave Plana o Tubular 7/16"
- Cinta Métrica
- Nivel del Carpintero

## PARTES INCLUIDAS

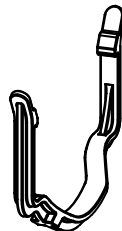
Asegúrese que todas estas partes estén incluidas en su empaçado:



Codo de Tubería de Drenaje con Junta



Enganche Flexible



Soporte Inferior



Adaptador

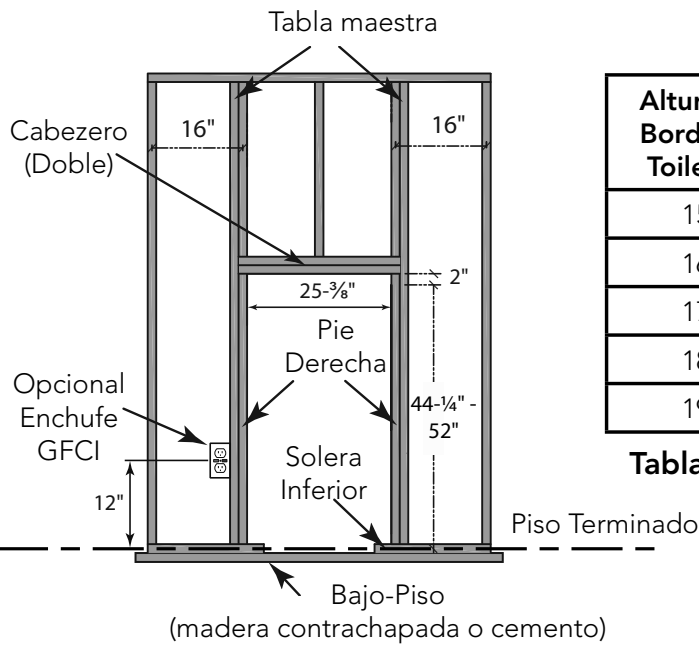
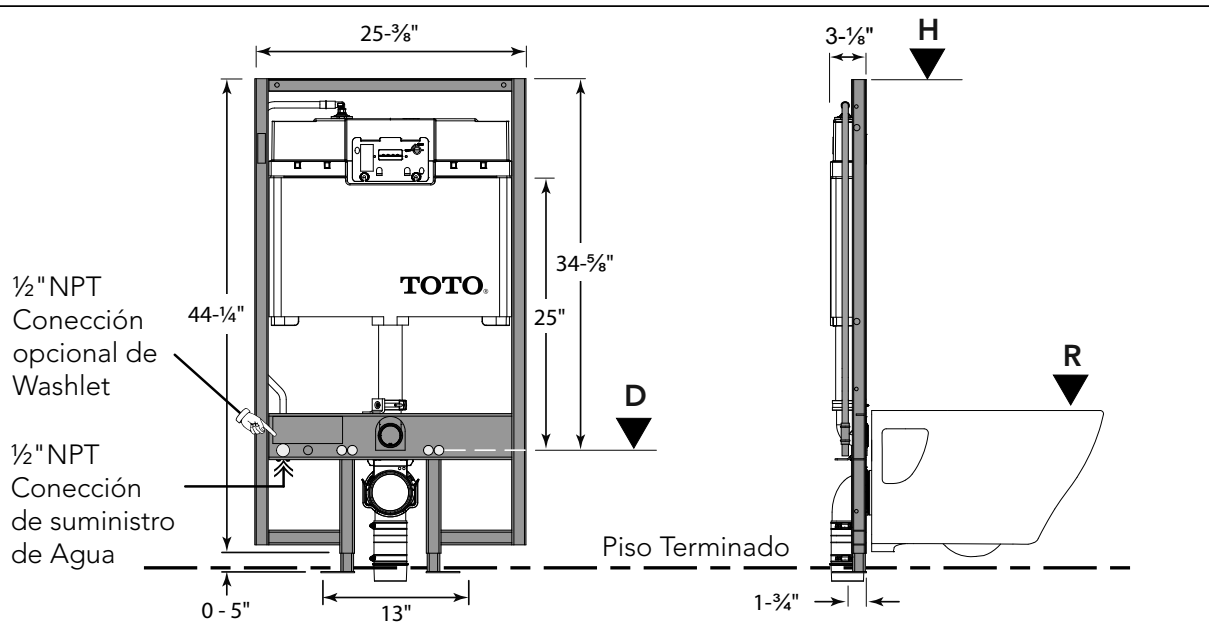


Manual de Instalación

## ANTES DE LA INSTALACIÓN

- Lea estas instrucciones con cuidado antes de empezar a trabajar.
- Deje este instructivo al cliente, contiene importante información de mantenimiento y garantía.
- Si es necesario, retire el inodoro existente.
- ¡CUIDADO! Asegúrese de sacar adecuadamente todo el aire del sistema de tubería antes de usar cualquier producto TOTO. El aire atrapado/comprimido puede dañar el sistema de descarga y la taza del inodoro.

Prepare el soporte para el carrier como se muestra. Consulte con un constructor y/o códigos locales para cualquier requisito adicional. Agregue pernos de pared dobles, un perno de doble cabezal y un soporte de elevación de acuerdo con las dimensiones mostradas. Confirme que la abertura sea cuadrada.



Altura del Borde del Toilet (R)	Altura del Sistema (H)	Altura de la Varilla del Montaje (D)
15"	46-1/4"	11-1/2"
16"	47-1/4"	12-1/2"
17"	48-1/4"	13-1/2"
18"	49-1/4"	14-1/2"
19"	50-1/4"	15-1/2"

**Tabla 1:** Dimensiones medidas desde el piso terminado.

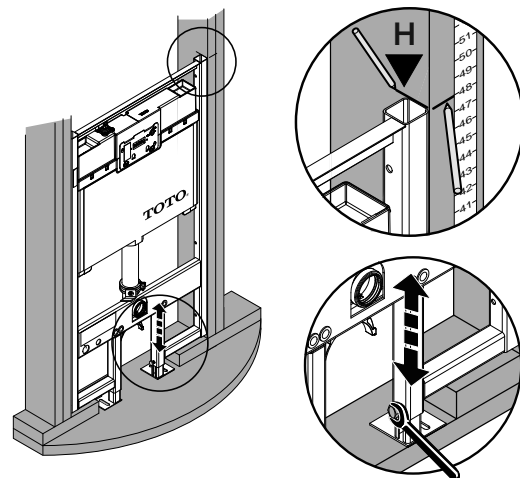
## PROCEDIMIENTO DE INSTALACIÓN

### Instale el Sistema de Tanque Empotrado

Suelte los tornillos en las patas ajustables y coloque el ensamblado del tanque en el marco.

Ajuste el tanque a la altura con referencia al piso terminado. (vea tabla 1 para guía) y marcado en el marco de madera.

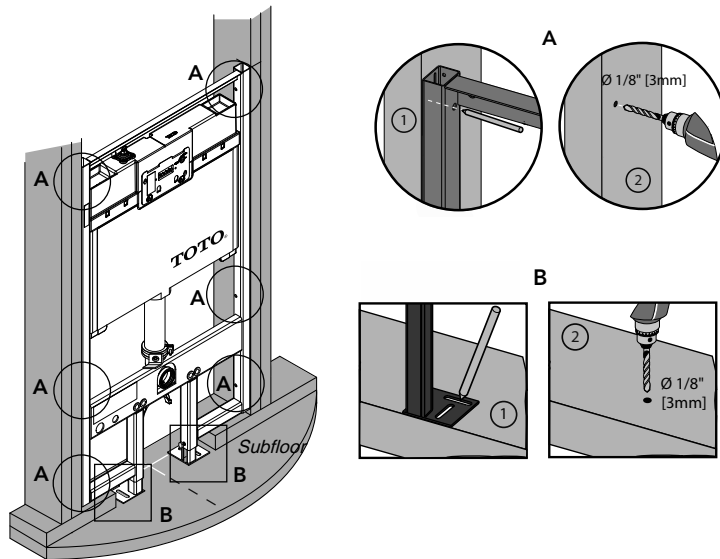
Apriete los dos (2) tornillos a las patas para asegurar la altura del ensamblado del tanque.



## Instale el Sistema de Tanque Empotrado

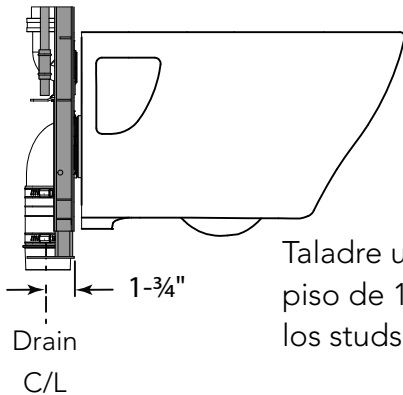
Marque la locación de taladrar agujeros para los tornillos para sujetar el ensamblado del tanque al marco de madera.

Hay seis (6) tornillos para los lados (3 en cada lado) y dos (2) para las patas. Asegurese que el ensamblado del tanque esté alineado con el marco de madera antes de marcar.



Remueva el ensamblado del tanque del marco de madera. Taladre seis (6) agujeros de 1/8" en la WALL STUD (TRIMMER/JACK) y dos (2) sobre el bajo-piso (madera contrachapada). Para cemento, taladre agujeros de 3/8" para anclajes.

ESPAÑOL

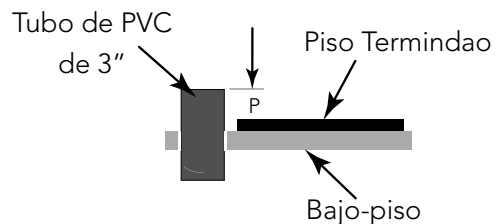
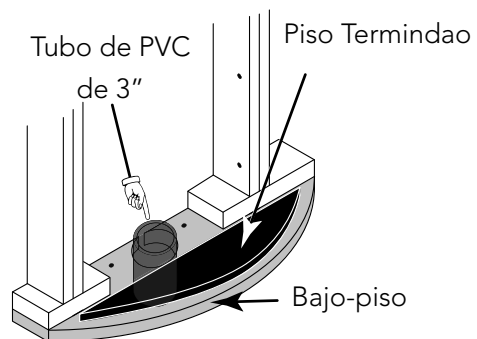
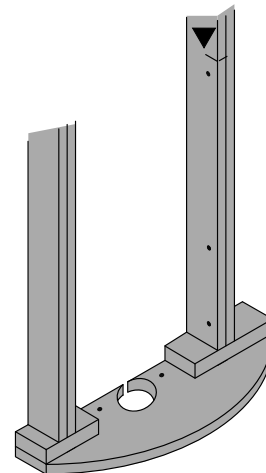


Taladre un agujero en el bajo piso de 1-3/4" de distancia de los studs de enfrente.

El tubo de 3" de PVC que viene desde el bajo-piso tiene una altura maxima desde el piso terminado a la altura del borde del inodoro. Consulte la Tabla 2.

Altura del Borde del Inodoro (R)	Longitud del drenage (P)
15"	1/2"
16"	1-1/2"
17"	2-1/2"
18"	3-1/2"
19"	4-1/2"

Tabla 2: Dimensiones medidas desde el piso terminado



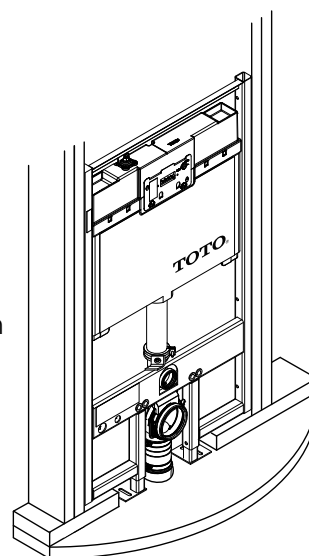
## Instale el Sistema de Tanque Empotrado (continuación)

Con el tubo de PVC cortado a la longitud deseada, pegue el adaptador al tubo. Use el enganche flexible para juntar el adaptador y el codo de tubería de drenaje con junta sin apretar las abrazaderas.

Coloque el sistema en el marco de madera, verifique que el sistema esté nivelado con el horizontal y la descarga esté hacia en frente.

Use los tornillos provistos para sujetar el sistema. Ajuste el codo de tubería para que conecte con el soporte superior en el sistema y use el soporte inferior para encajarlos. apriete las abrazaderas al enganche flexible.

Conecte el suministro de agua e inspeccione si hay fugas. Coloque los tubos de salida y entrada, la placa inferior de empuje y dos (2) tornillos con cabeza hex para los agujeros de adentro del montaje de la taza.



## Cortando la Ubicación de la Pared

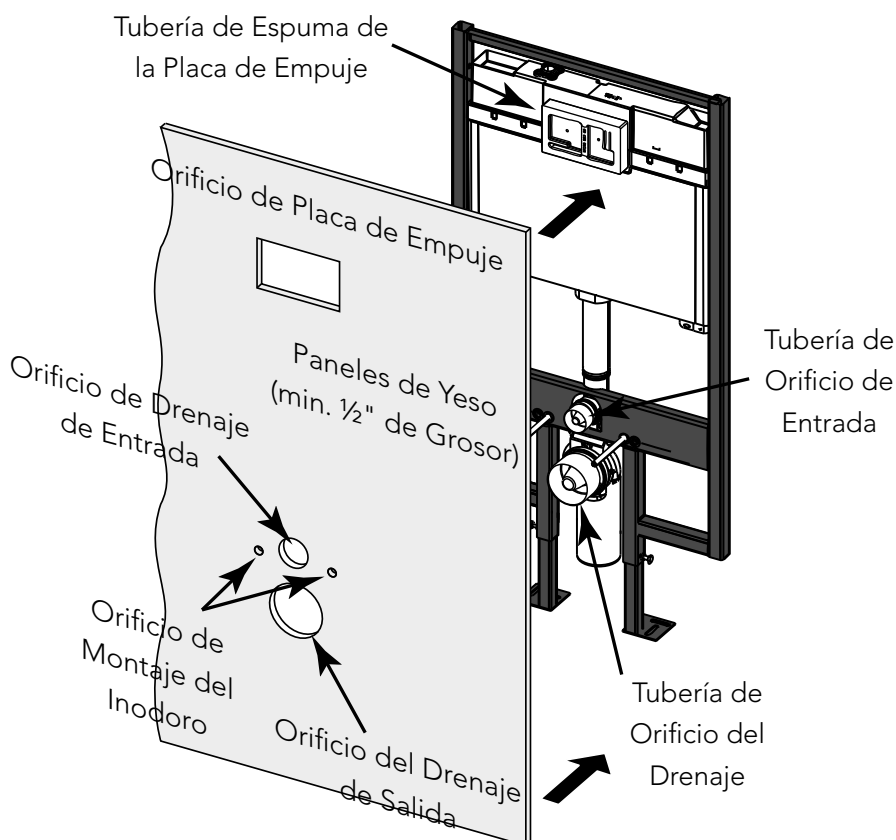
Las instrucciones se recomiendan para la instalación en tabla roca de 1/2" (13 mm). Utilice las partes salientes en el carrier para ubicar los cortes en la pared.

Corte un orificio de 4-1/2" (114mm) de diámetro para el drenaje de salida.

Corte un orificio de 2-3/8" (60mm) de diámetro para la entrada de agua.

Corte dos orificios de 3/4" (19mm) de diámetro para los pernos de tornillo de montaje.

Corte un orificio de 7-1/2" (191mm) x 4-5/8" (117mm) para la placa de empuje.

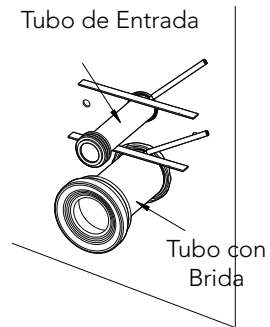


## Instalación del Inodoro al Sistema de Tanque Empotrado

- 1) Aplique una pequeña cantidad de lubricante (no incluido) en la entrada y en la salida del drenaje. Inserte el tubo de entrada a la salida de drenaje del tanque hasta que se detenga.

Coloque la orilla de una regla contra la pared terminada y arriba del tubo de entrada. Marque la ubicación como se muestra y retire el tubo de entrada.

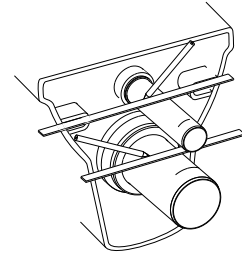
Repita este proceso con el tubo con brida.



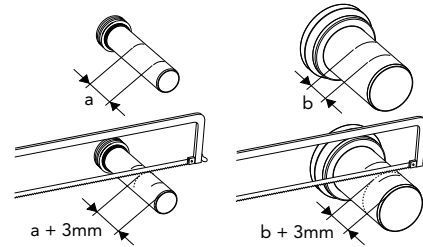
- 2) Inserte el extremo del tubo de entrada con la junta en la parte de atrás de la taza del inodoro.

Coloque la orilla de una regla contra todo el ancho de la parte posterior del inodoro y arriba del tubo del tubo de entrada. Marque la ubicación como se muestra y retire el tubo de entrada.

Repita este proceso con el tubo con brida.

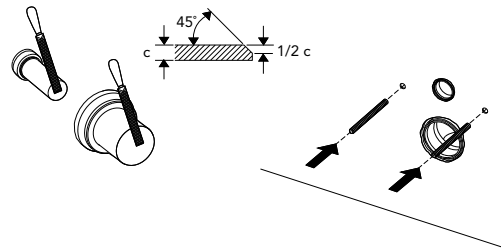


- 3) Mida la longitud entre las 2 marcas y agregue 3mm. A partir de esta dimensión, marque la línea de corte midiendo desde la orilla opuesta a la junta y corte con sierra el exceso. Repita este proceso para el tubo con brida.

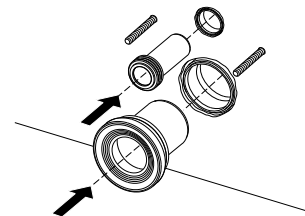


- 4) Haga un bisel a las orillas cortadas como se muestra.

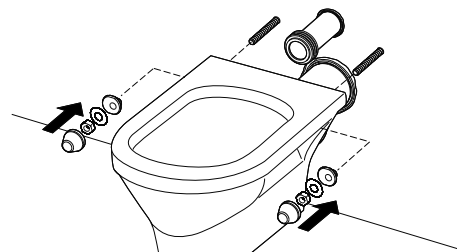
Atornille la salida de drenaje del tanque al perno de montaje del inodoro, dejando 2-1/8" (54mm) de los tornillos expuestos.



- 5) Inserte el tubo de entrada y el tubo con brida a los orificios de drenaje adecuados.



- 6) Instale la taza del inodoro alineándola con los tubos y el perno de montaje. Utilice la herramienta de montaje para asegurar la taza.



ESPAÑOL

## INSTALACIÓN DEL TOTO WASHLET®

Siga estas instrucciones para instalar el Washlet sobre la taza del inodoro.

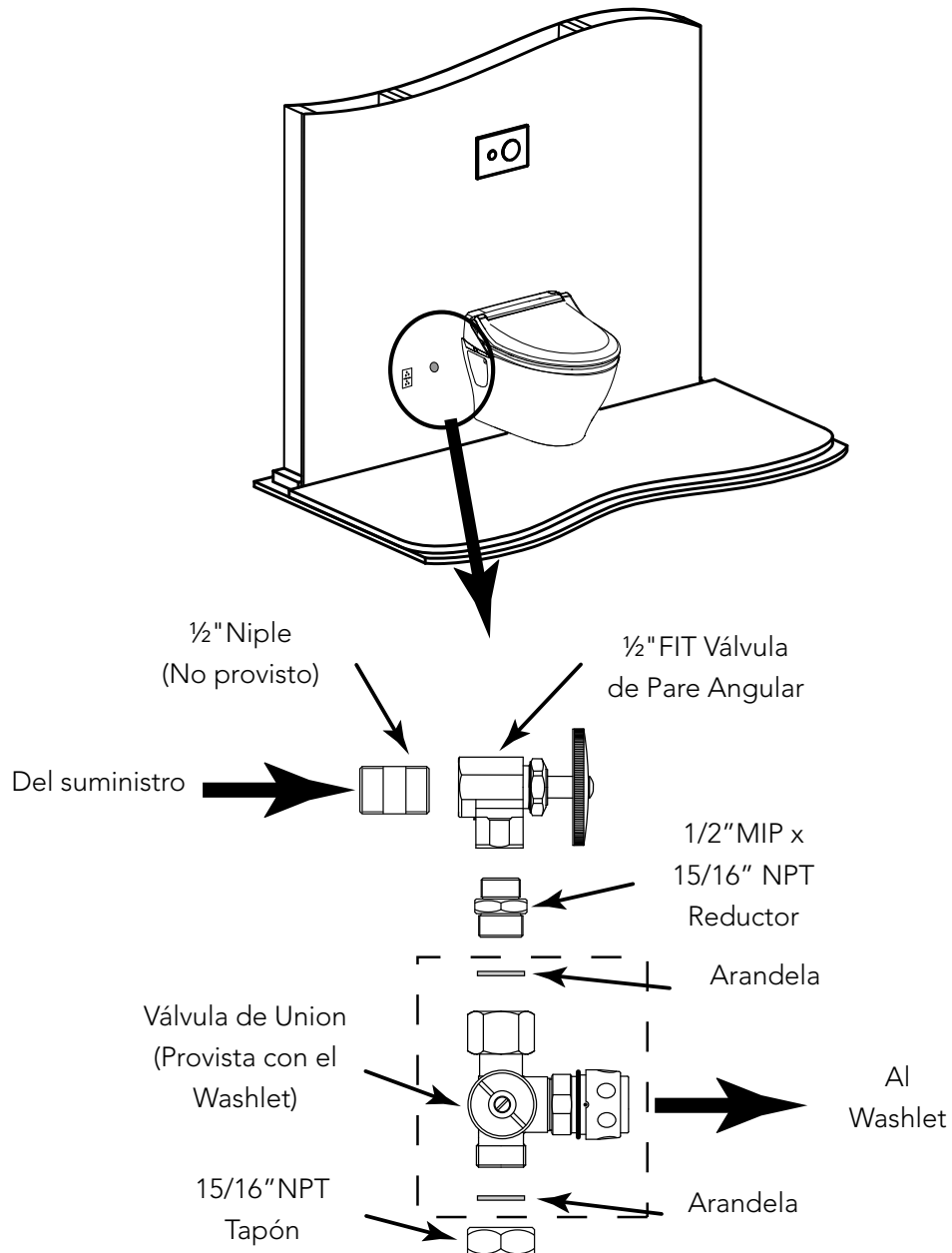
Un kit de instalación (parte número THU383) es requerida para instalar la conexión al suministro de agua.

Siga el diagrama abajo para instalar las partes. Use cinta de teflon (no provista) como sellante entre las juntas.

Conecte la manguera de conexión del Washlet (provista con el Washlet) a la válvula de unión y el Washlet.

**Advertencia:** Después de instalar las partes, verifique que no haya ninguna fuga.

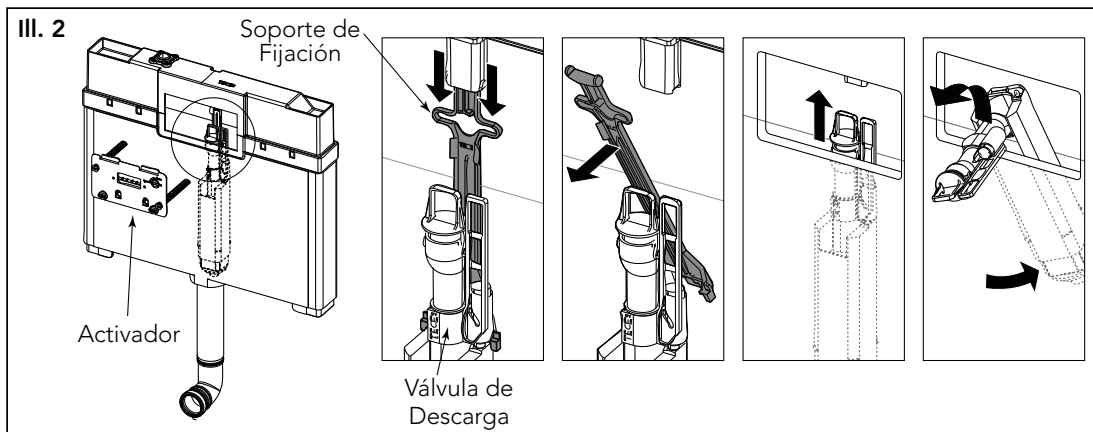
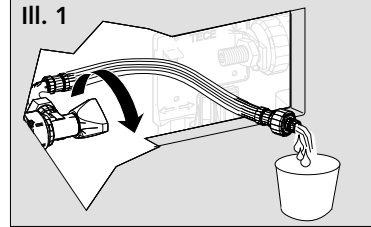
ESPAÑOL



## PROCEDIMIENTO DE SERVICIO

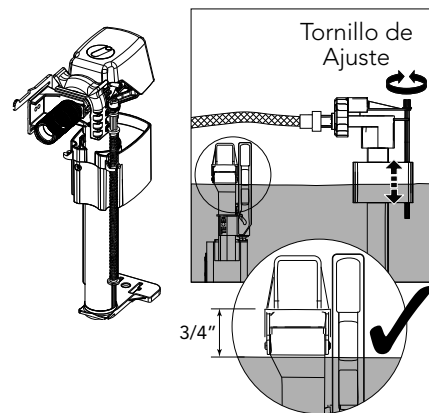
### Revisión y/o Reemplazo de la Válvula de Descarga

- 1) Retire el activador girando las dos perillas grises media vuelta en lado contrario a las manecillas del reloj y jalándolo hacia afuera.
  - 2) Apague la válvula de suspensión (véase III. 1).
  - 3) Oprima hacia abajo el soporte de fijación para retirarlo (véase III. 2).
  - 4) Sostenga la parte superior de la válvula de descarga y júlela hacia arriba. Mientras jala, doble los tubos superiores de la válvula de descarga hacia usted e inclínela hacia los lados para retirarla.
  - 5) En el otro extremo de la válvula de descarga, se puede retirar la pieza de hule para limpiarla o reemplazarla.
- Para reinstalar la válvula de descarga, repita estos pasos en sentido inverso.



### Ajustando el Nivel de Agua en el Tanque

- 1) Siga el procedimiento para retirar la válvula de descarga, después empuje hacia abajo la lengüeta roja del lado derecho del tanque y jale el montaje de la válvula de llenado con el soporte.
- NOTA: No hay necesidad de retirar la manguera de la válvula de llenado.
- 2) Gire el tornillo de ajuste en sentido de las manecillas del reloj para aumentar el nivel del agua y en sentido contrario a las manecillas del reloj para bajarlo.
  - 3) Reemplace la válvula de llenado y la válvula de descarga y abra la válvula de suspensión.
  - 4) Revise el nivel de agua y ajuste según sea necesario hasta que alcance 3/4" por debajo del tubo de desbordamiento.



### Limpiando el Filtro de la Válvula de Llenado

- 1) Siga el procedimiento para retirar la válvula de descarga.
- 2) Desatornille la manguera de la válvula de llenado.
- 3) Utilice unas pinzas de nariz de punta de aguja para retirar el filtro del orificio de entrada de la válvula de llenado.
- 4) Enjuague el filtro bajo el chorro del agua y utilice un cepillo pequeño para retirar cualquier residuo que pudiera estar en la pantalla del filtro.
- 5) Siga el procedimiento en sentido inverso para reemplazar la válvula de llenado.

ESPAÑOL



## GARANTÍA

ESPAÑOL

1. TOTO® garantiza que su Sistema de Tanque Empotrado ("Producto") no tiene defectos en los materiales y mano de obra durante su uso normal, cuando es adecuadamente instalado y cuidado, por un periodo de un (1) año a partir de la fecha de compra. Esta garantía limitada se extiende únicamente al COMPRADOR ORIGINAL del Producto y no es transferible a ninguna tercera persona, incluyendo, pero sin limitarse a, cualquier comprador o dueño subsecuente del Producto. Esta garantía aplica únicamente al Producto TOTO adquirido e instalado en América del Norte, Central y del Sur.
2. Las obligaciones de TOTO bajo esta garantía se limitan a reparar, reemplazar u otro ajuste adecuado, a elección de TOTO, del Producto o partes que estén defectuosas con el uso normal, dado que dicho Producto haya sido adecuadamente instalado, utilizado y cuidado de acuerdo con las instrucciones. TOTO se reserva el derecho de hacer dichas inspecciones, ya que pueden ser necesarias con el fin de determinar la causa del defecto. TOTO no cobrará por el trabajo o partes relacionados con las reparaciones o cambios de la garantía. TOTO no es responsable por el costo de remoción, devolución y/o reinstalación del Producto.
3. Esta garantía no aplica a los siguientes puntos:
  - a. Daño o pérdida ocurridos en un desastre natural, tal como un incendio, terremoto, inundación, truenos, tormenta eléctrica, etc.
  - b. Daño o pérdida resultado de cualquier accidente, uso no razonable, mal uso, abuso, negligencia o cuidado, limpieza o mantenimiento inadecuado del Producto.
  - c. Daño o pérdida resultado de sedimentos o materia extraña contenidos en un sistema de aguas.
  - d. Daño o pérdida resultado de una instalación inadecuada o de la instalación del Producto en un ambiente hostil y/o peligroso, o la remoción, reparación o modificación inadecuada del Producto. (NOTA: Los códigos del modelo del producto permiten un máximo de 80 PSI. Revise los códigos locales ó estándares para los requisitos).
  - e. Daño o pérdida resultado de sobrecarga eléctrica o rayos u otros actos que no sean culpa de TOTO o que el Producto no esté especificado para tolerar.
  - f. Daño o pérdida resultado del desgaste normal y acostumbrado, tal como reducción del brillo, rayado u opacamiento en el tiempo debido al uso, prácticas de limpieza o agua o condiciones atmosféricas.
  - g. Mecanismos de descarga del tanque de plástico o partes móviles de hule.
  - h. Asientos de inodoro de plástico, madera o metal.
4. Con el fin de que esta garantía limitada sea válida, se requiere una prueba de compra. TOTO le aconseja el registro de la garantía al momento de la compra para crear un registro de la propiedad del Producto en <http://totousa.com>. El registro del Producto es completamente voluntario y no hacerlo no disminuirá los derechos de su garantía limitada.
5. ESTA GARANTÍA LE OTORGA DERECHOS LEGALES ESPECÍFICOS. USTED PUEDE TENER OTROS DERECHOS QUE PUEDEN VARIAR ENTRE ESTADOS, PROVINCIAS O PAÍSES.
6. Para obtener un servicio de reparación por garantía bajo esta garantía, debe llevar el Producto o enviarlo prepago a las instalaciones de servicio TOTO junto con su prueba de compra (recibo de venta original) y una carta declarando el problema, o póngase en contacto con un distribuidor de TOTO o contratista de servicio de productos, o escriba directamente a TOTO U.S.A., INC., 1155 Southern Road, Morrow, GA 30260 (888) 295 8134 ó (678) 466-1300, si está fuera de los Estados Unidos. Si, debido al tamaño del Producto o naturaleza del defecto, el Producto no puede devolverse a TOTO, la recepción de TOTO del aviso por escrito del defecto junto con la prueba de compra (recibo de venta original) constituirá el envío. En tal caso, TOTO puede elegir entre reparar el Producto en la ubicación del comprador o pagar el transporte del Producto a unas instalaciones de servicio.

¡ADVERTENCIA! TOTO no será responsable de cualquier falla de, o daño a, este Producto causado por cloraminas en el tratamiento del suministro de agua público o limpiadores que contengan cloro (hipoclorito de calcio). NOTA: El uso de un cloro de concentración alta o productos relacionados con cloro puede dañar severamente los accesorios. Este daño puede causar fugas y un grave daño a la propiedad.

ESTA GARANTÍA ESCRITA ES LA ÚNICA GARANTÍA HECHA POR TOTO. LA REPARACIÓN, CAMBIO U OTRO AJUSTE ADECUADO, SEGÚN LO ESTIPULADO EN ESTA GARANTÍA, SERÁ EL ÚNICO REMEDIO DISPONIBLE PARA EL COMPRADOR ORIGINAL. TOTO NO SERÁ RESPONSABLE DE LA PÉRDIDA DEL PRODUCTO O DE OTROS DAÑOS INCIDENTALES, ESPECIALES O CONSECUENCIALES O GASTOS INCURRIDOS POR EL COMPRADOR ORIGINAL, O PARA EL TRABAJO U OTROS COSTOS DEBIDO A LA INSTALACIÓN O REMOCIÓN, O COSTOS DE REPARACIONES HECHAS POR TERCEROS, O POR CUALQUIER OTRO GASTO NO DECLARADO ESPECÍFICAMENTE ARRIBA. EN NINGÚN CASO, LA RESPONSABILIDAD DE TOTO EXCEDERÁ EL PRECIO DE COMPRA DEL PRODUCTO. EXCEPTO AL GRADO PROHIBIDO POR LA LEY APLICABLE, CUALQUIER GARANTÍA IMPLÍCITA, INCLUYENDO LA DE COMERCIABILIDAD O ADECUACIÓN PARA SU USO O PARA UN PROPÓSITO EN PARTICULAR, SE DECLARARÁ EXPRESAMENTE. ALGUNOS ESTADOS NO PERMITEN LAS LIMITACIONES EN LA DURACIÓN DE UNA GARANTÍA IMPLÍCITA, O LA EXCLUSIÓN O LIMITACIÓN DE LOS DAÑOS INCIDENTALES O CONSECUENCIALES, POR LO QUE LA LIMITACIÓN O INCLUSIÓN ANTERIORES PUEDE NO APLICAR PARA USTED.

## TABLE DES MATIÈRES

Merci d'Avoir Choisi TOTO! .....	20
Outils Communs Nécessaires .....	20
Pièces Incluses.....	20
Avant de Commencer.....	20
Procédure d'Installation.....	21-25
Procédure d'Entretien.....	26
Garantie .....	27

## MERCI D'AVOIR CHOISI TOTO!

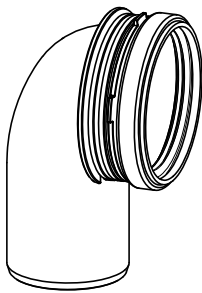
La mission de TOTO est d'offrir au monde entier un style de vie sain, hygiénique et plus confortable. comme principe de base, nous concevons chaque produit avec un équilibre entre la forme et la fonction. félicitations pour votre choix.

## OUTILS NÉCESSAIRES

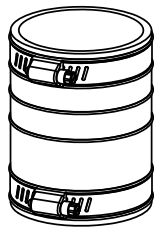
- Scie à Métaux
- Lime Plate
- Perceuse
- 1/8" (3mm) Foret
- Scie à 3-1/2" (89mm)
- Clé Ouverte ou Cadrée de 7/16"
- Mètre à Ruban
- Niveau du Charpentier

## PIÈCES INCLUSES

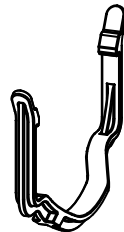
Vérifiez que toutes les pièces sont incluses dans votre paquet:



Tuyau en Coudre  
avec Garniture



Couplage Souple



Griffe Inférieur



Adaptateur

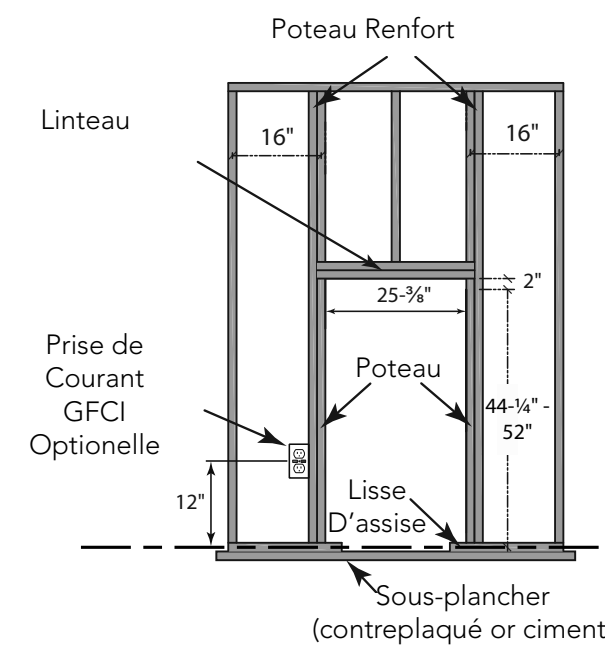
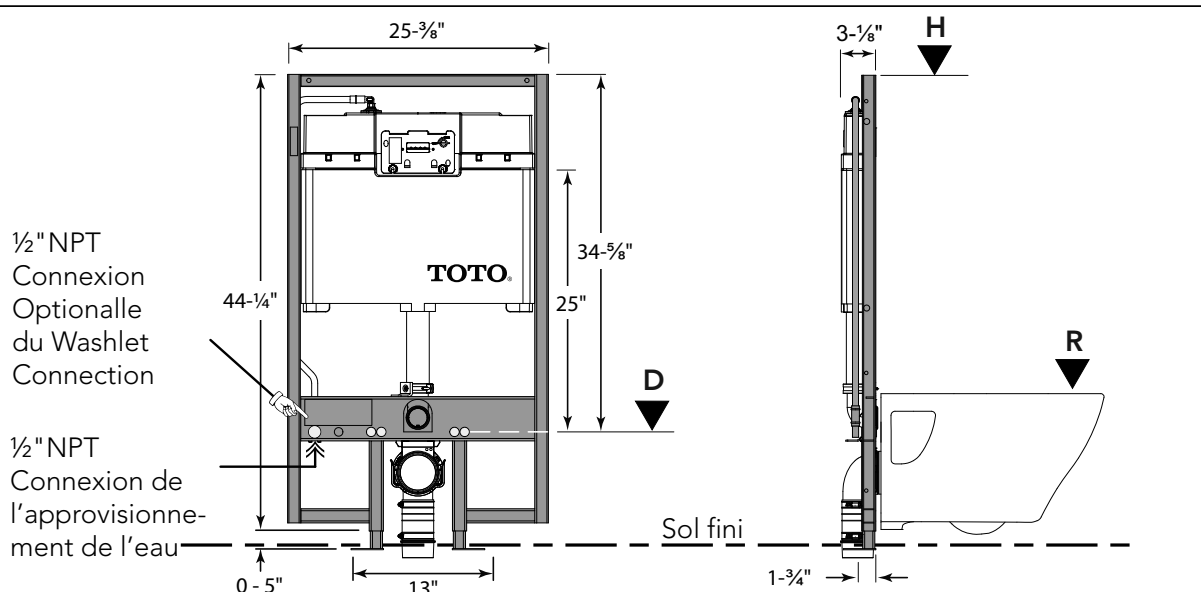


Manuel  
d'Instalación

## AVANT DE COMMENCER

- Lisez complètement ces instructions avant de commencer le travail.
- Veuillez laisser ces instructions pour le client. Elles contiennent des information importantes sur l'entretien et la garantie.
- Si nécessaire, enlevez la toilette déjà présente.
- ATTENTION! Assurez vous d'évacuer tout air présent dans le système de tuyauterie avant d'utiliser les produits TOTO. Tout air bloqué ou comprimé peut endommager le système d'évacuation et la cuvette de la toilette.

Préparez le support pour la porteuse comme indiqué. Consultez un entrepreneur de construction et/ou les codes locaux pour déterminer toute exigence supplémentaire. Ajoutez les montants muraux double, un montant d'en-tête double et une prise poteau selon les dimensions indiquées. Confirmez que l'ouverture est carrée.



Hauteur de la Jante de la Toilette (R)	Hauteur du Système (H)	Hauteur de la tige du système (D)
15"	46-1/4"	11-1/2"
16"	47-1/4"	12-1/2"
17"	48-1/4"	13-1/2"
18"	49-1/4"	14-1/2"
19"	50-1/4"	15-1/2"

**Tableau 1:** Dimensions mesurée du sol fini

FRANÇAIS

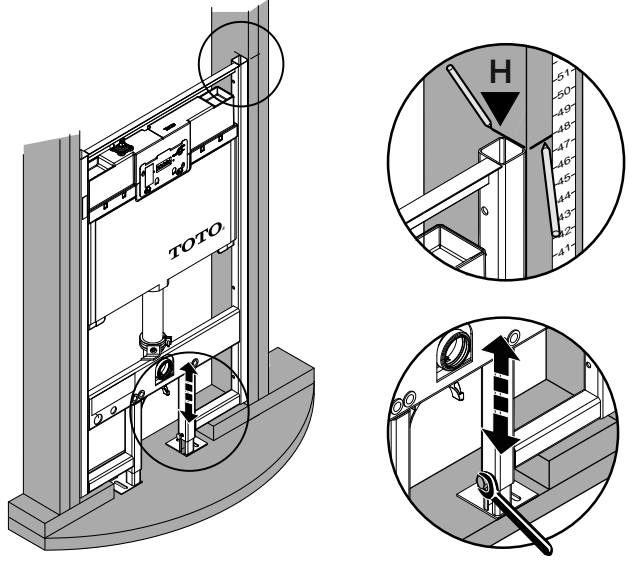
## PROCEDURE D'INSTALLATION

### L'installation du Système de Réservoir Mural

Desserrez les boulons sur les pieds réglables et placez le support dans le cadre en bois.

Ajustez le support à la hauteur souhaitée en se référant aux sol fini (voir le tableau 1 pour le guide) et marqué sur le cadre en bois.

Serrez les deux boulons sur les jambes pour sécuriser la hauteur de la porte.

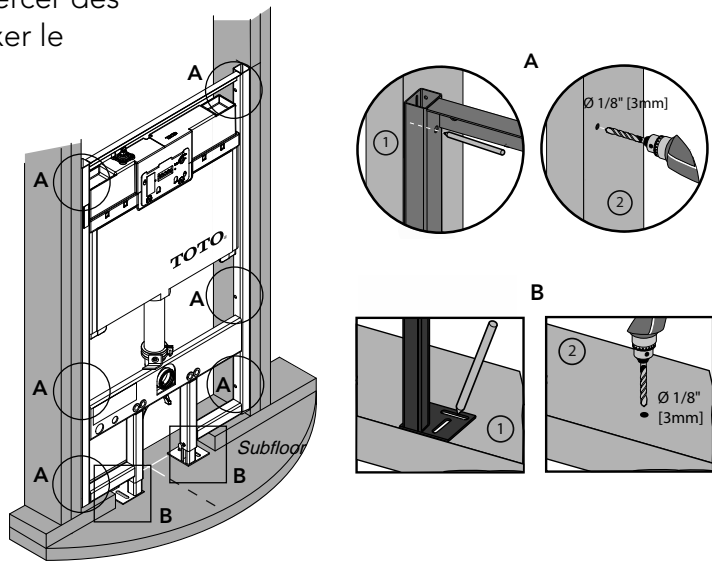


## L'installation du Système de Réservoir Mural

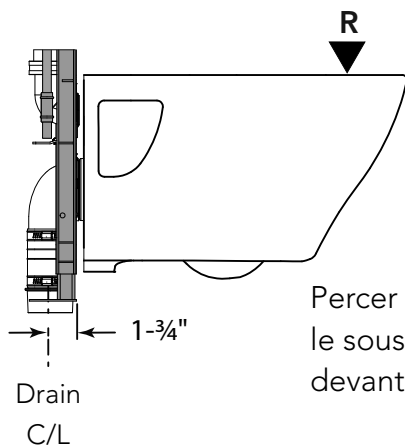
Marquez l'emplacement pour percer des trous pilotes pour les vis pour fixer le support au cadre en bois.

Il y a six (6) vis pour le côté (3 de chaque côté) et deux sur les pieds. Assurez-vous que le réservoir est au ras du cadre en bois avant de placer les marquages.

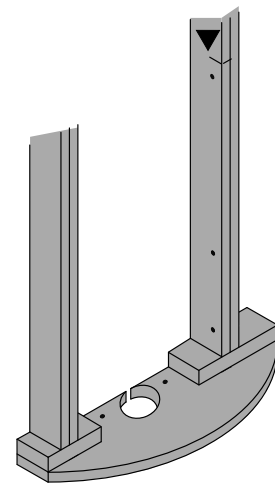
Retirez le support du cadre en bois, percer les six (6) 1/8" trous sur le poteau mural (régleur/ Jack) et deux (2) sur le sous-sol (contreplaqué); pour le ciment, percez 3/8" trous pour les ancrés.



FRANÇAIS



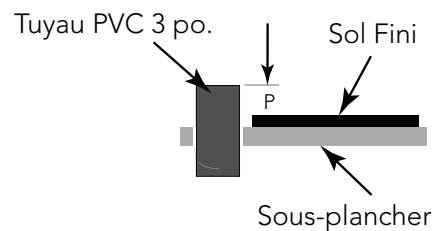
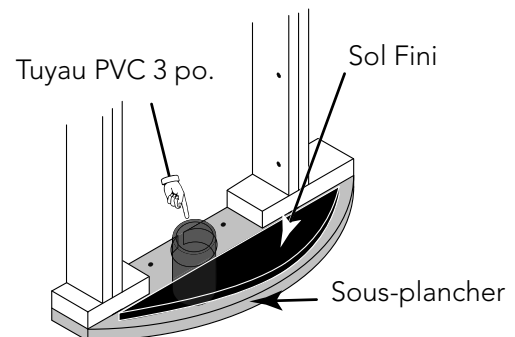
Percer un trou de 3-1/2" po. sur le sous-plancher de 1-3/4" po. du devant du poteau.



Le tuyau PVC de 3po. venant du sous-plancher a une longueur maximum du sol fini est basé sur la hauteur du toilette.

Hauteur du Toilette (R)	Longueur du Tuyau (P)
15"	1/2"
16"	1-1/2"
17"	2-1/2"
18"	3-1/2"
19"	4-1/2"

Tableau 2: Dimensions mesurée du Sol Fini



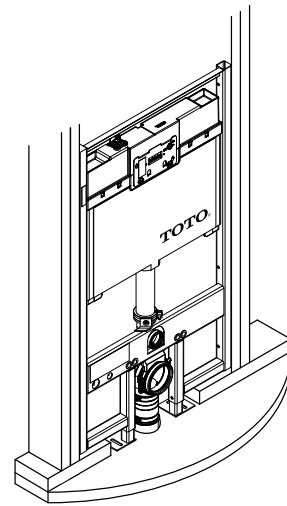
## L'installation du Système de Réservoir Mural

Après avoir couper la longueur nécessaire, collé l'adaptateur au tuyau. Utilisé le couplage souple pour joindre l'adaptateur et le tuyau en coudre. Ne pas serrer les griffes.

Placer le système dans l'encadrement, s'assurer que le système est droit avec l'horizontale et s'aligner avec le devant du poteau.

Utiliser les vis fournis pour attacher le système. S'assurer que le tuyau en coudre est attaché avec le griffe supérieur et utiliser le griffer inférieur pour la graffer. Serrer les griffes sur le couplage souple.

Fil à plomb l'alimentation de l'eau et verifier les fuites. Insérez le tuyau de sortie et entrée, la plaque de poussée en mousse et deux (2) vis a tête hexagonale pour les trous de fixation dans la tasse.



## Découpez l'Emplacement Murale

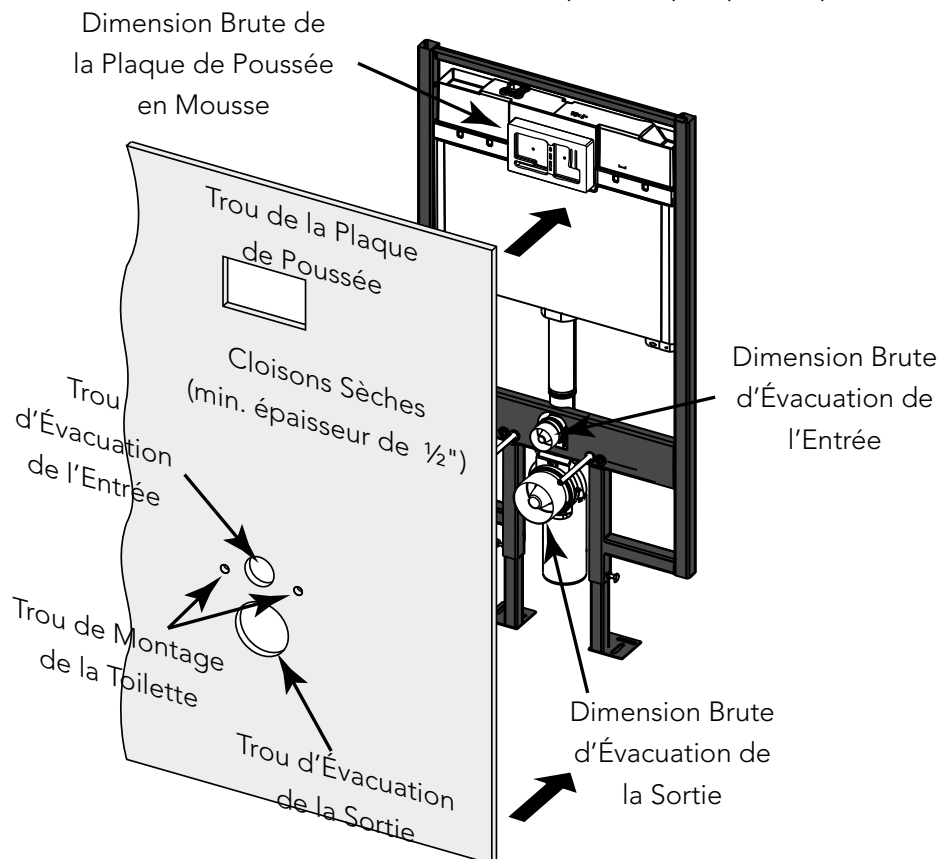
Les instructions sont recommandées pour les installations dans les cloisons sèches de 1/2" (13mm). Utilisez les parties saillantes sur le support pour localiser les coupures sur le mur.

Coupez un trou d'un diamètre de 4-1/2" (114mm) pour le drain de sortie.

Coupez un trou d'un diamètre de 2-3/8" (60mm) pour l'entrée d'eau.

Coupez deux trous d'un diamètre de 3/4" (19mm) pour les montants de vis de montage clous de fixation.

Coupez un trou de 7-1/2" (191mm) x 4-5/8" (117mm) pour la plaque de poussée.

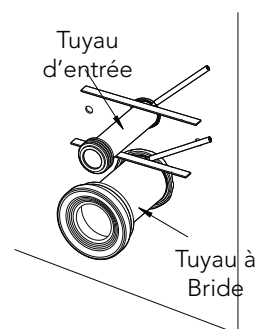


## Installez la Toilette sur la Porteuse

- 1) Appliquez une petite quantité de lubrifiant (non inclus) dans l'entrée et la sortie du drain. Insérez le tuyau d'alimentation dans la prise de vidange du réservoir jusqu'à ce qu'il s'arrête.

Placez le bord d'une règle contre le mur fini et sur le dessus du tuyau d'admission. Marquez l'emplacement comme indiqué et retirez le tuyau d'admission.

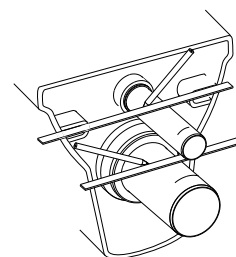
Répétez la procédure avec le tuyau à bride.



- 2) Insérez l'extrémité du tuyau d'entrée avec le joint à l'arrière de la cuvette des toilettes.

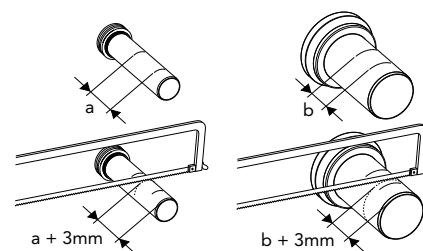
Placez le bord d'une règle sur toute la largeur de l'arrière de la toilette et au-dessus du tuyau d'admission. Marquez l'emplacement comme indiqué et retirez le tuyau d'admission.

Répétez la procédure avec le tuyau à bride.



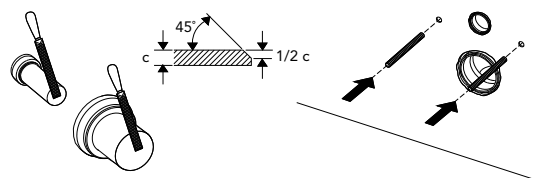
- 3) Mesurez la longueur entre les 2 marques et ajoutez 3 mm. A partir de cette dimension, marquez la ligne de coupe en mesurant à partir du côté opposé au joint d'étanchéité et sciez l'excès.

Répétez la procédure pour le tuyau à bride.

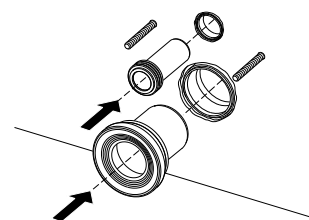


- 4) Biseautez les arêtes de coupe, tel qu'illustré.

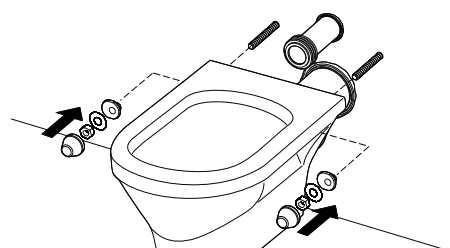
Vissez la sortie de vidange du réservoir dans les goujon de fixation des toilettes laissant 2-1/8 "(54mm) de la vis exposé.



- 5) Insérez le tuyau d'entrée et le tuyau à bride dans les drains appropriés.



- 6) Installez la cuvette des toilettes en l'alignant sur les tuyaux et le goujon de montage. Utilisez les outils de montage inclus pour fixer la cuvette.



## INSTALLATION DE TOTO WASHLET®

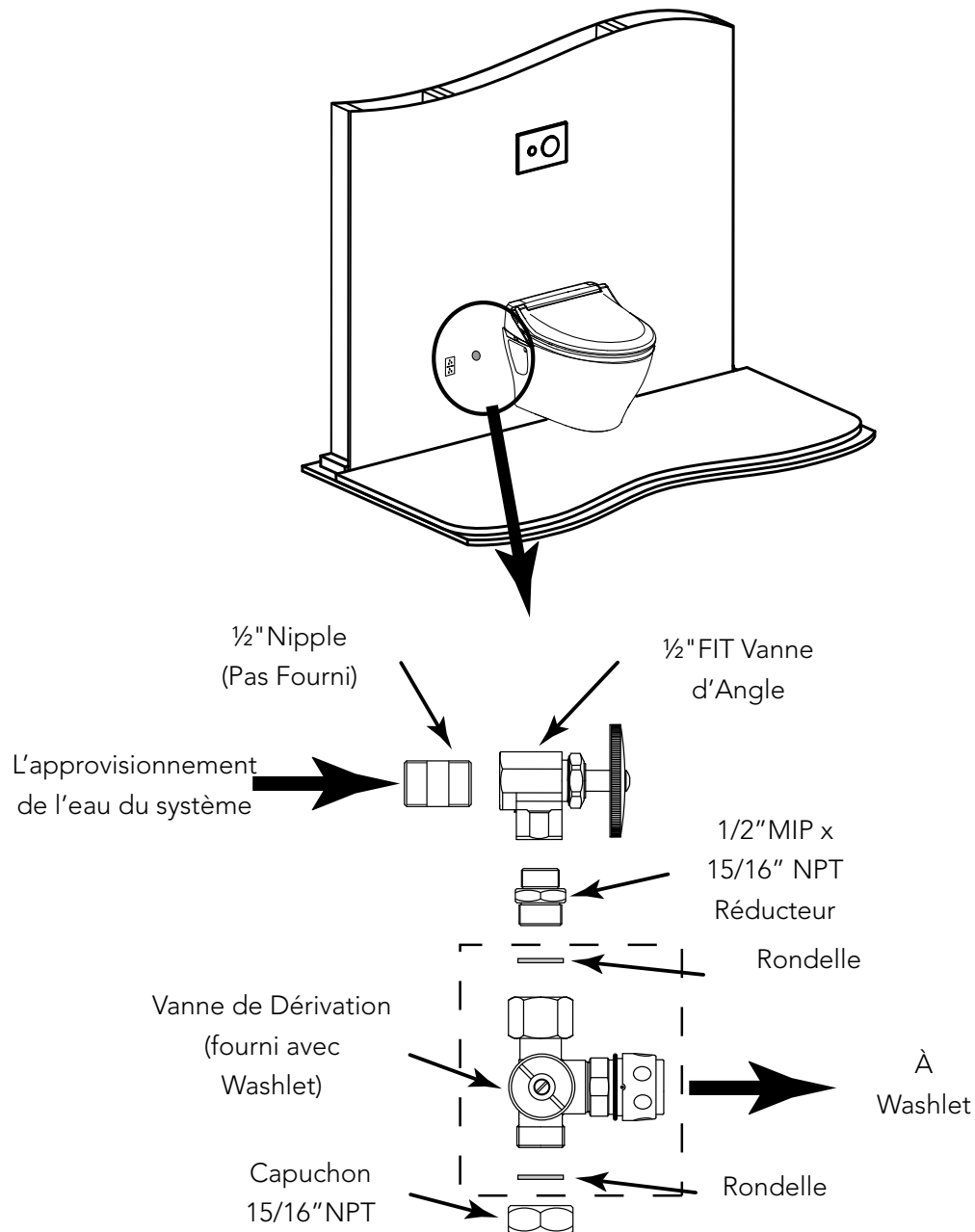
Suivez les instructions pour installer le Washlet sur la toilette par le manuel fourni avec le produit.

Un kit d'installation (Numéro de partie: THU383) est nécessaire pour installer la connexion d'alimentation en eau. (Vanne d'arrêt, Réducteur & Capuchon).

Suivez la schéma ci-dessous pour installer les pièces. Utilisez du ruban téflon (pas fourni) comme scellant entre les joints.

Connectez le tuyau de connexion au Washlet (fourni avec Washlet) à la vanne de dérivation et le Washlet.

**Attention:** Après l'installation des pièces, vérifiez toutes les connexions par des fuites.

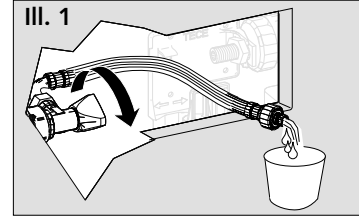


FRANÇAIS

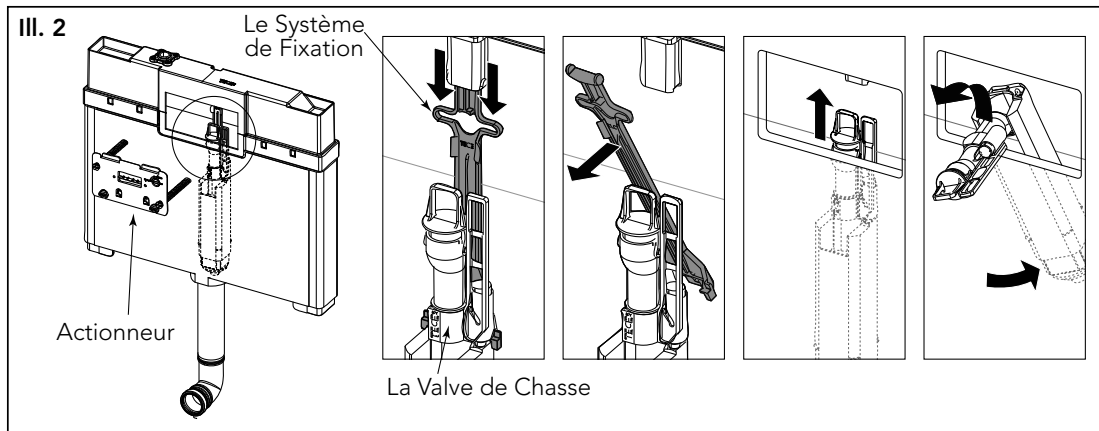
## PROCÉDURE D'ENTRETIEN

### Maintenir et/ou Remplacer la Valve d'Évacuation

- 1) Enlevez le mécanisme en tournant d'un demi tour les deux boutons gris dans le sens opposé des aiguilles d'une montre et tirez.
- 2) Fermez la valve d'arrêt (voir III. 1).
- 3) Appuyez sur le support de fixation pour l'enlever (voir III. 2).
- 4) Tenez le haut de la vanne de purge et tirez vers le haut. Pendant que vous tirez, pliez les tubes supérieurs de la valve de chasse et inclinez la sur les côtés pour l'enlever.
- 5) A l'autre bout de la valve de chasse, la pièce de caoutchouc peut être enlevée pour le nettoyage ou pour être remplacée.



Pour réinstaller la valve de purge, répétez ces étapes dans le sens inverse.



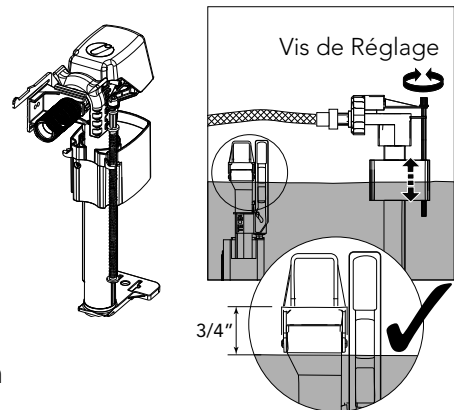
FRANÇAIS

### Ajustez le Niveau d'Eau dans le Réservoir

- 1) Suivez la procédure pour retirer la valve de chasse, puis appuyez la touche rouge, du côté droit du réservoir et tirez sur la valve de remplissage avec support.

NOTE: Il n'est pas nécessaire de retirer le tuyau de la valve de remplissage.

- 2) Tournez la vis de réglage dans le sens horaire pour augmenter le niveau d'eau et dans le sens opposé pour le réduire.
- 3) Remplacez les valves de remplissage et de chasse, et ouvrez la vanne d'arrêt.
- 4) Vérifiez le niveau de l'eau et ajustez selon le besoin jusqu'à ce qu'il atteigne 3/4" en dessous du tube de débordement.



### Nettoyez le Filtre de la Valve de Remplissage

- 1) Suivez la procédure pour retirer la valve de chasse.
- 2) Dévissez le tuyau de la valve de remplissage.
- 3) Utilisez une pince à bec effilé pour retirer le filtre du trou d'entrée de la valve de remplissage.
- 4) Rincez le filtre sous l'eau et utilisez une petite brosse pour enlever tout débris pouvant se trouver sur l'écran du filtre.
- 5) Inversez la procédure pour remplacer la valve de remplissage.



## GARANTIE

1. TOTO® garantit que son Système de Réservoir Mural ("Produit") est libre de tout défaut de matériel et de fabrication lors de l'usage normal, quand le produit est installé et entretenu correctement, pour (1) an à partir de la date d'achat. Cette garantie limitée s'étend seulement à l'ACHETEUR ORIGINAL du produit et n'est pas transférable à une autre entité, inclus et non limitée à tout acheteur ou propriétaire du produit. Cette garantie s'applique seulement aux produits TOTO achetés et installés en Amérique du Nord, Centrale et du Sud.
2. Les obligations de TOTO sous cette garantie sont limitées à la réparation, au remplacement et autre ajustement jugés approprié, au choix de TOTO, du Produit ou des pièces jugées défectives lors de l'usage normal, pourvu qu'un tel Produit ait été installé correctement, utilisé et entretenu selon les instructions. TOTO se réserve le droit de faire les inspections qui peuvent être nécessaires afin de déterminer la cause du défaut. TOTO ne facturera pas de main-d'œuvre ou les pièces relatives aux réparations ou aux remplacements sous garantie. TOTO n'est pas responsable pour le coût du retrait, les frais de retour et/ou la réinstallation du produit.
3. Cette garantie ne s'applique pas aux éléments suivants:
  - a. Dommage ou perte causé par une calamité naturelle telle qu'un incendie, un tremblement de terre, une inondation, la foudre, un orage, etc.
  - b. Dommage ou perte résultant d'un accident, un usage abusif, l'abus, de la négligence ou de mauvais soins, de nettoyage ou de maintenance du produit.
  - c. Dommage ou perte résultant de sédiments ou de matières étrangères contenues dans un système d'eau.
  - d. Dommage ou perte résultant d'une mauvaise installation ou de l'installation du Produit dans un environnement rude et / ou un environnement dangereux, ou une mauvaise désinstallation, réparation ou modification du produit. NOTE: Les codes des modèles de ces produits permettent un maximum de 80 PSI.
  - e. Dommage ou perte résultant de surtensions ou la foudre ou d'autres actes qui ne sont pas la faute de TOTO ou que le produit n'est pas spécifié à tolérer.
  - f. Dommage ou perte résultant de l'usure normal et habituel, telles que la réduction du lustre, le grattage ou la décoloration au fil du temps due à l'utilisation, les pratiques de nettoyage ou l'eau ou les conditions atmosphériques.
  - g. Mécanismes de chasse d'eau du réservoir en plastique ou des pièces en caoutchouc qui bougent.
  - h. Les sièges des toilettes en plastique, en bois ou en métal.
4. Pour que cette garantie limitée soit valide, une preuve d'achat est nécessaire. TOTO vous encourage à enregistrer la garantie à l'achat pour créer un enregistrement de la propriété du produit sur le site <http://www.totousa.com>. L'enregistrement du produit est complètement volontaire et le défaut d'enregistrement ne diminuera en rien vos droits de garantie limitée.
5. CETTE GARANTIE VOUS DONNE DES DROITS LÉGAUX SPÉCIFIQUES. VOS DROITS POURRAIENT VARIER D'UN ÉTAT A UN AUTRE, D'UNE PROVINCE A UNE AUTRE OU D'UN PAYS A UN AUTRE.
6. Pour obtenir une réparation sous garantie, vous devez prendre le produit ou expédier, port payé à un centre de service TOTO avec preuve d'achat (ticket de caisse original) et une lettre expliquant le problème, ou contactez un distributeur de TOTO ou un entrepreneur de services produits, ou écrire directement à TOTO USA, INC, 1155, chemin du Sud, Morrow, GA 30260 (678) 466-1300 ou (888) 295 8134, si en dehors des USA. Si en raison de la taille du produit ou la nature du défaut, le produit ne peut être renvoyé à TOTO, la réception par TOTO de l'avis écrit du défaut avec preuve d'achat (ticket de caisse original) constitue livraison. Dans un tel cas, TOTO peut choisir de réparer le produit chez l'acheteur ou de payer le transport du produit à un centre de service.

ATTENTION! TOTO ne peut être tenu responsable de toute défaillance, ou de dommages, causés à ce produit par des chloramines dans le traitement de l'approvisionnement public en eau ou de nettoyeurs contenant du chlore (hypochlorite de calcium). REMARQUE: L'utilisation de chlore à forte concentration ou de produits dérivés du chlore peut sérieusement endommager les raccords. Ces dommages peuvent entraîner des fuites et des dommages matériels graves.

CETTE GARANTIE ÉCRITE CONSTITUE LA SEULE GARANTIE DE TOTO. TOUTE REPARATION, REMPLACEMENT OU AUTRE AJUSTEMENT EN CONSÉQUENT COUVERTS PAR CETTE GARANTIE SERA LE SEUL RECOURS DISPONIBLE A L'ACHETEUR ORIGINAL. TOTO NE SERA PAS RESPONSABLE DE LA PERTE DU PRODUIT OU POUR D'AUTRES DOMMAGES ACCESSOIRES, SPÉCIAUX OU INDIRECTES, OU DE DEPENSES ENGAGÉES PAR L'ACHETEUR INITIAL, OU POUR LA MAIN D'OEUVRE OU D'AUTRES COÛTS DUS A L'INSTALLATION OU LE RETRAIT, OU AU FRAIS DE REPARATION PAR D'AUTRES, OU POUR TOUTES AUTRES CHARGES NON SPÉCIALEMENT INDIQUÉES CI-DESSUS. EN AUCUN CAS LA RESPONSABILITÉ DE TOTO DÉPASSERA-T-ELLE LE PRIX D'ACHAT DU PRODUIT. SAUF DANS LES LIMITES AUTORISÉES PAR LA LOI APPLICABLE, TOUTE GARANTIE IMPLICITE Y COMPRIS LES GARANTIES DE QUALITÉ MARCHANDE ET/OU L'UTILISATION À DES FINS EN PARTICULIER SONT EXPRESSEMENT EXCLUES. CERTAINS ÉTATS N'AUTORISENT PAS LES LIMITATIONS SUR LA DURÉE D'UNE GARANTIE IMPLICITE, OU L'EXCLUSION OU LA LIMITATION DES DOMMAGES INCIDENTS OU INDIRECTS, DONC LA LIMITATION ET L'EXCLUSION CI-DESSUS POURRAIT NE PAS S'APPLIQUER A VOUS.

# TOTO®

TOTO® U.S.A., Inc. 1155 Southern Road,  
Morrow, Georgia 30260  
Tel: 888-295-8134 Fax: 800-699-4889  
[www.totousa.com](http://www.totousa.com)

0GU067-1  
Rev Date: 11/11

#### Warranty Registration and Inquiry

For product warranty registration, TOTO U.S.A. Inc. recommends online warranty registration. Please visit our web site <http://www.totousa.com>. If you have questions regarding warranty policy or coverage, please contact TOTO U.S.A. Inc., Customer Service Department, 1155 Southern Road, Morrow, GA 30260 (888) 295-8134 or (678) 466-1300 when calling from outside of U.S.A.