

14 468

CONCETTO™

PRESSURE BALANCE VALVE TRIM WITH CARTRIDGE

Pure Freude
an Wasser



STANDARD SPECIFICATION:

- GROHE StarLight®
- GROHE SilkMove®
- Metal handle
- Metal trim plate with GROHE QuickFix®
- Includes pressure balance cartridge with double ceramic technology
- 5.2gpm (bottom) and 3.0gpm (top port) at 45psi (19 L/min)
- Requires GrohSafe™ 3.0 Rough-in Valve (35 110), (35 111), (35 112), (35 113), (35 114), (35 115), or (35 116) (sold separately)



PRODUCT FEATURES:





-  GROHE StarLight®
-  GROHE SilkMove®
-  GROHE QuickFix®

CERTIFICATIONS:



- ADA
- CSA B125.1
- ASME A112.18.1

AVAILABLE FINISHES:

- 14468000**  GROHE StarLight® Chrome
- 144682431**  Matte Black
- 14468EN0**  Brushed Nickel InfinityFinish™
- 14468GN0**  Brushed Cool Sunrise

NOTE: Install this product according to the installation guide. ADA, CSA compliant when installed to the specific requirements of these regulations.

We reserve the right to make revisions without notice to product specifications. 04-19-2023

US
Tel: 1.630.582.7711 Fax: 1.630.582.7722
For the most current Specification Sheet,
go to www.grohe.us.

Canada
Tel: 1.888.644.7643 Fax: 1.905.366.2071
For the most current Specification Sheet,
go to www.grohe.ca.

PART OF **LIXIL**

14 468

CONCETTO™

PRESSURE BALANCE VALVE TRIM WITH
CARTRIDGE

*Pure Freude
an Wasser*

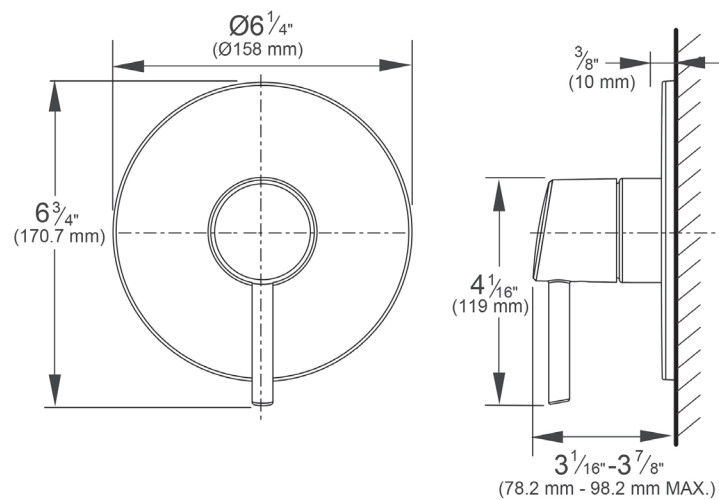


TECHNICAL DATA:

Product Height **171 mm**

Product Length **78 mm**

Product Width **158 mm**



35 110

GROHSAFE™ 3.0

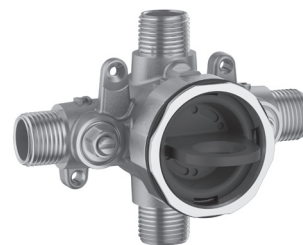
PRESSURE BALANCE ROUGH-IN VALVE

Pure Freude
an Wasser



STANDARD SPECIFICATION:

- 1/2" Universal inlets/outlets
- Includes plug for 3-port installation
- Flush plug included
- Made of DZR Brass
- Service stops
- Can be tested using flush plug with air (200psi) or water (300psi).
- Cartridge ships with the trim
- Minimum flow pressure 20 psi
- Recommended flow pressure 20 - 72.5 psi
- Greater than 72.5 psi, fit pressure reducing valve
- Max. operating pressure 125 psi
- Max. test pressure 500 psi
- Flow rate at 45 psi flow pressure: minimum 6.8 l/min or 1.8 gpm
- Max flow rate at 45 psi flow pressure - top port: 14 L/min or 3.7 gpm, bottom port: 15 L/min or 4.0 gpm



PRODUCT FEATURES:



CERTIFICATIONS:

- Massachusetts Plumbing Board Approved
- ASSE 1016
- CSA B125.1
- CSA B125.16
- ASME A112.18.1
- ASME A112.1016

AVAILABLE FINISHES:

35110000 No Finish

NOTE: Install this product according to the installation guide. ADA, CSA compliant when installed to the specific requirements of these regulations.

We reserve the right to make revisions without notice to product specifications. 10-03-2023

US
Tel: 1.630.582.7711 Fax: 1.630.582.7722
For the most current Specification Sheet,
go to www.grohe.us.

Canada
Tel: 1.888.644.7643 Fax: 1.905.366.2071
For the most current Specification Sheet,
go to www.grohe.ca.

PART OF **LIXIL**

35 110

GROHSAFE™ 3.0

PRESSURE BALANCE ROUGH-IN VALVE

Pure Freude
an Wasser



TECHNICAL DATA:

Product Height 3-5/8 in

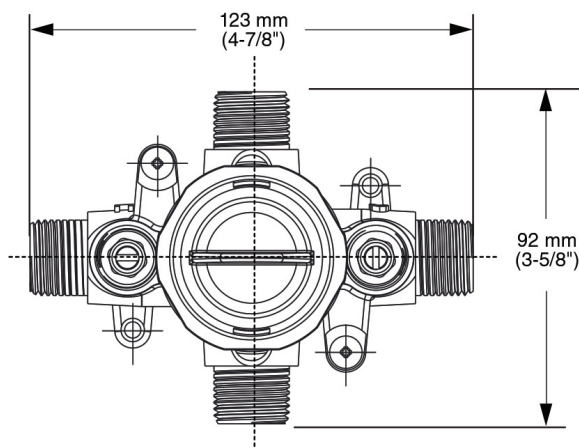
Product Length 2-3/4 in

Product Width 4-7/8 in

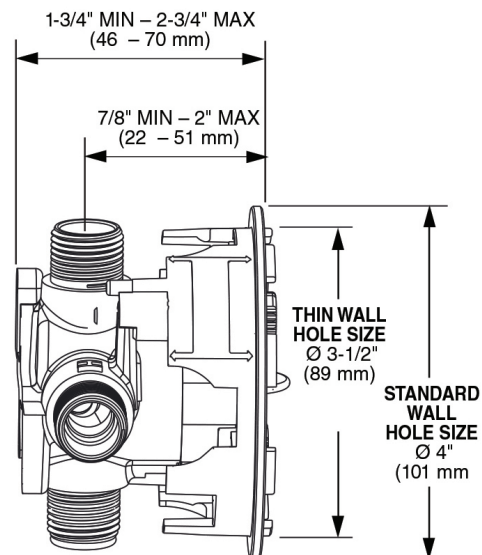
35 110 000

INLETS
1/2" NOM.
COPPER SWEAT
OR 1/2" NPT

OUTLETS
1/2" NOM.
COPPER SWEAT
OR 1/2" NPT



SIDE VIEW



27 414
RELEXA®
5" SHOWER ARM

Pure Freude
an Wasser



STANDARD SPECIFICATION:

- GROHE StarLight®
- 1/2" NPT Male threads



PRODUCT FEATURES:






GROHE StarLight®

CERTIFICATIONS:

- CSA B125.1
- ASME A112.18.1

AVAILABLE FINISHES:

- 27414000**  GROHE StarLight® Chrome
- 274142430**  Matte Black
- 27414EN0**  Brushed Nickel InfinityFinish™

NOTE: Install this product according to the installation guide. ADA, CSA compliant when installed to the specific requirements of these regulations.

We reserve the right to make revisions without notice to product specifications. 10-05-2022

US
Tel: 1.630.582.7711 Fax: 1.630.582.7722
For the most current Specification Sheet,
go to www.grohe.us.

Canada
Tel: 1.888.644.7643 Fax: 1.905.366.2071
For the most current Specification Sheet,
go to www.grohe.ca.

PART OF **LIXIL**

27 414

RELEXA®

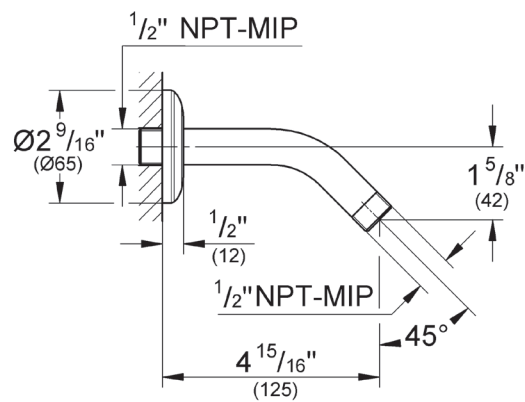
5" SHOWER ARM

Pure Freude
an Wasser



TECHNICAL DATA:

| | |
|----------------|--------|
| Product Height | 90 mm |
| Product Length | 125 mm |
| Product Width | 65 mm |



26 043

TEMPESTA® COSMOPOLITAN

100 SHOWER HEAD, 4" - 4 SPRAYS

Pure Freude
an Wasser



STANDARD SPECIFICATION:

- GROHE StarLight®
- GROHE EcoJoy®
- GROHE DreamSpray®
- Speed Clean® anti-lime system
- 4" Face
- 4 Sprays: GROHE Rain O², Rain, Massage, Jet
- 1/2" NPT female threads
- White spray face - Chrome
- Grey spray face - Brushed Nickel
- Rotating ball joint ±15°
- Max. flow rate: 1.75gpm (6.6L/min)



PRODUCT FEATURES:






-  GROHE StarLight®
-  GROHE DreamSpray®
-  GROHE EcoJoy™

CERTIFICATIONS:



- WaterSense
- CEC Certified
- CALGreen Compliant
- Massachusetts Plumbing Board Approved
- Energy Policy Act of 1992
- CSA B125.1
- ASME A112.18.1

AVAILABLE FINISHES:

-  26043001 GROHE StarLight® Chrome
-  260432431 Matte Black
-  26043A01 Hard Graphite
-  26043EN1 Brushed Nickel InfinityFinish™
-  26043GN1 Brushed Cool Sunrise

NOTE: Install this product according to the installation guide. ADA, CSA compliant when installed to the specific requirements of these regulations.

We reserve the right to make revisions without notice to product specifications. 06-03-2022

US
Tel: 1.630.582.7711 Fax: 1.630.582.7722
For the most current Specification Sheet,
go to www.grohe.us.

Canada
Tel: 1.888.644.7643 Fax: 1.905.366.2071
For the most current Specification Sheet,
go to www.grohe.ca.

PART OF **LIXIL**

26 043

TEMPESTA® COSMOPOLITAN

100 SHOWER HEAD, 4" - 4 SPRAYS

Pure Freude
an Wasser



TECHNICAL DATA:

Product Height 3-5/16 in

Product Length 3-15/16 in

Product Width 3-15/16 in

