

## Wall-hung Urinal with Integrated Flush Valve - 0.125 GPF

### FEATURES

- Compact urinal with integrated flush valve and 1/2" supply connection
- Ultra high-efficiency - 0.125 GPF (0.473 LPF)
- Self-powered hydroelectric flush valve system
- CEFIONTECT® ceramic glaze minimizes waste from sticking to porous ceramic surfaces
- Rimless design with spreader flushing system
- Protects trap seal with a maintenance flush every 12 hour period
- Photoelectric sensor detection to prevent ghost flushing
- ADA compliant
- Contributes to earning credits in LEED®
- CalGreen compliant

### MODELS

- **UE906UVG**  
Urinal with Integrated Automatic Flush Valve and back inlet

### COLORS/FINISHES

- #01 Cotton

### PRODUCT SPECIFICATION

The wall-mounted, ADA compliant, low consumption washout urinal shall be 0.125GPF/0.473LPF with integrated valve. Urinal specified shall be model UE906UVG#01.



**CEFIONTECT**



**AUTO FLUSH**



**ECOPOWER**

### CODES/STANDARDS

- Meets and exceeds ASME A112.19.2/CSA B45.1,
- Certifications: IAPMO(cUPC), State of Massachusetts, City of Los Angeles
- Code compliance: UPC, IPC, NSPC, NPC Canada, and others
- Legislative Compliance: California AB715, CALGreen Title 24, California Energy Commission Standards
- ADA compliant



# UE906UVG

## Wall-hung Urinal with Integrated Flush Valve - 0.125 GPF

### SPECIFICATIONS

<b>Water Use</b>	0.125 GPF (0.47 LPF)
<b>Flush System</b>	Spreader Flushing System
<b>Warranty</b>	One Year Limited Warranty
<b>Material</b>	Vitreous China
<b>Min. Water Pressure</b>	15 psi (flowing)
<b>Shipping Weight</b>	78 lb
<b>Shipping Dimensions</b>	29-5/8" L x 18-1/4" W x 17-3/4" H

### INSTALLATION NOTES

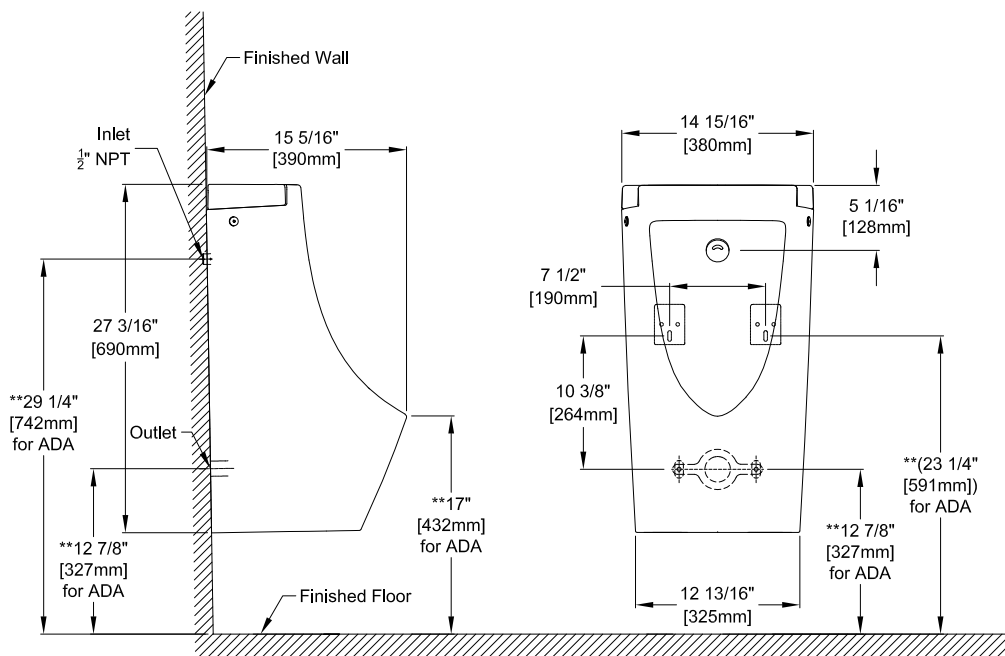
Install this product according to the installation guide.

Comply with ADA when installed per Section 605  
 - Urinals of the ADA 2010 Accessible Design Standard with maximum rim height of 17" and minimum depth of 13-1/2".

Comply with CSA B651 when installed per Clause 6.2.8 Urinals of the CSA 2012 Accessible Design Standard with maximum rim height of 17" and minimum depth of 13-1/2".

Ultra-low high efficiency urinals require a system with a minimum 2% slope. Maximum drainage capacity rated at 6.6 gal/min (25 L/min). Adjust angle stop accordingly to prevent overflow. Confirm with local codes and standards for floor drain requirement.

### DIMENSIONS



\*\*Recommended for ADA height installation for 17" floor to rim.

