

**Rough, Wall-Mounted Single-Handle Faucet**

Finish: Part no. : **13622181**

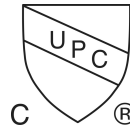


**Description**

**Features**

- Install valve left or right
- 1/2" NPT

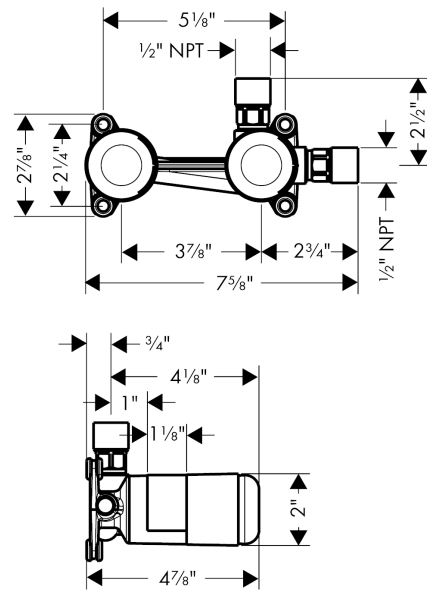
**Compliance / Sustainability**



**Product image**



**Scale drawing**

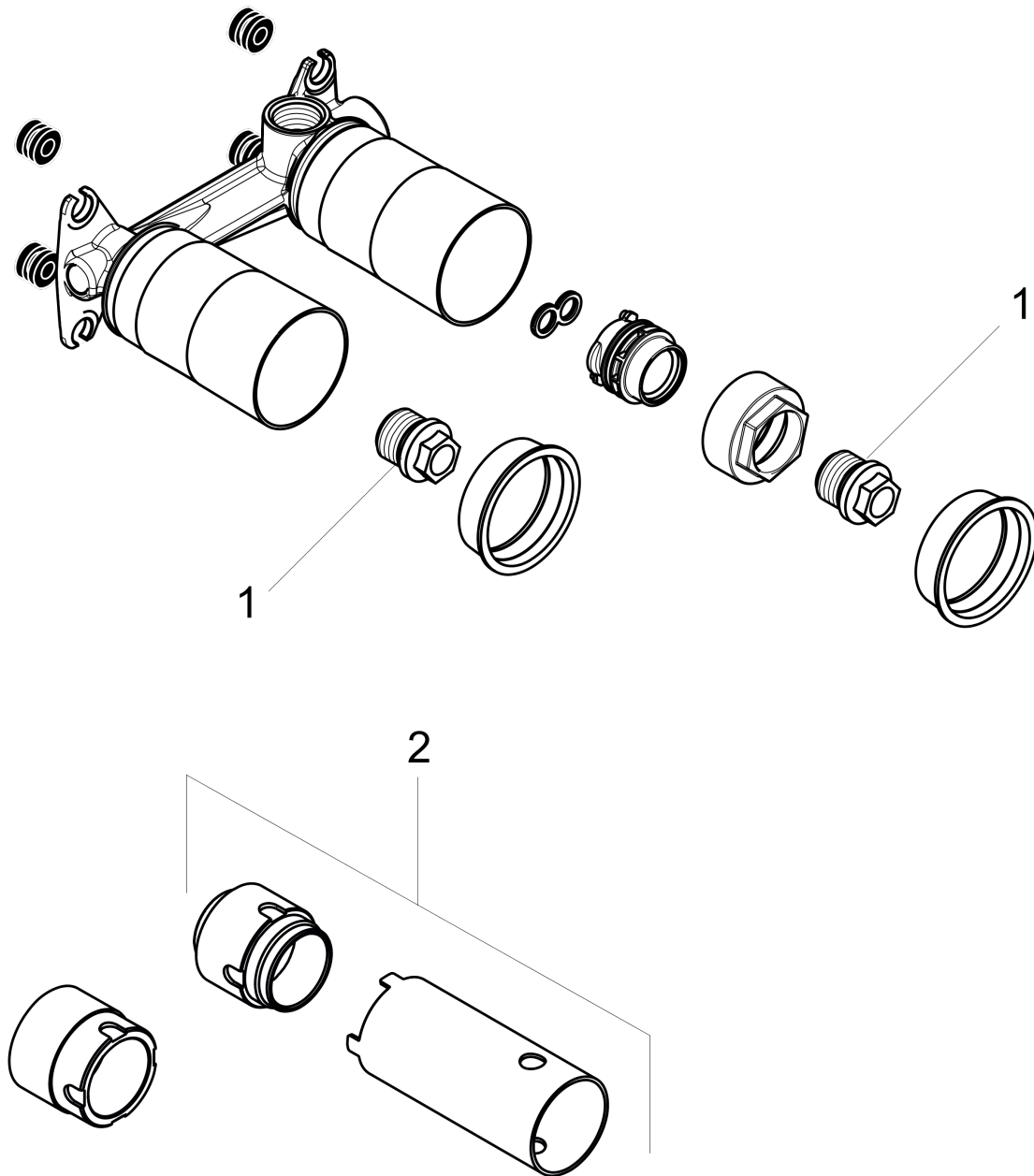


**Rough, Wall-Mounted Single-Handle Faucet**  
 Finish: Part no. : 13622181



Exploded drawing

Year of production: >12/09



**Rough, Wall-Mounted Single-Handle Faucet**

Finish: Part no. : **13622181**



**Spare parts list**

Year of production: >12/09

Pos.	Description	Part no.	PC	PU
1	O-ring 18x2	98181000	0	1
2	extension set 25 mm for 13622180	31971000	0	1
a	O-ring 18x2,5	98139000	0	1