

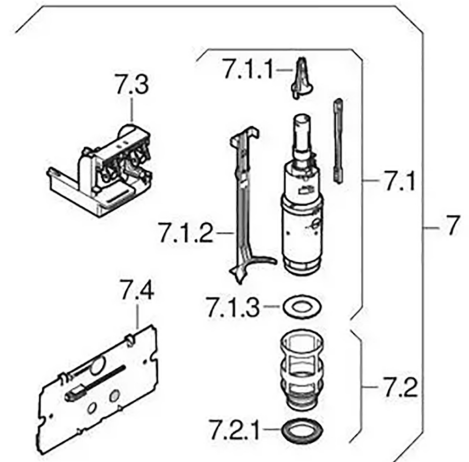
Technical Datasheet

Product Code: **GB16015**

Product Description: **Geberit 240.501.00.1 Flushvalve**

Specification

Range Name:	Geberit
Barcode:	4025416061588
Packaged Weight (kg):	0.36 kg
Packaged Length (Metre):	0.54
Packaged Width (Metre):	0.215
Packaged Height (Metre):	0.315



Key Features

None Specified.

Technical Drawing

No Technical Drawing Available