

Raindance Select E
Handshower 120 3-Jet, 2.0 GPM
 Finish: **Chrome** Part no. : **04528000**

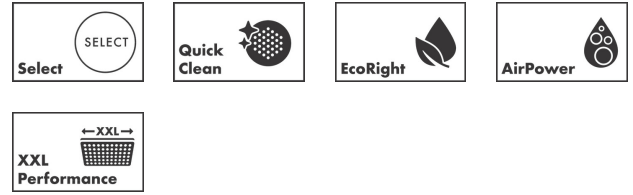


Description

Features

- Spray modes: RainAir, Rain, Whirl
- 78 no-clog spray channels
- Select button for comfortable alternation of spray modes
- Spray face finish: easy cleanable plastic spray disc
- Flow: 2.0 GPM (7.6 L/Min)

Technology



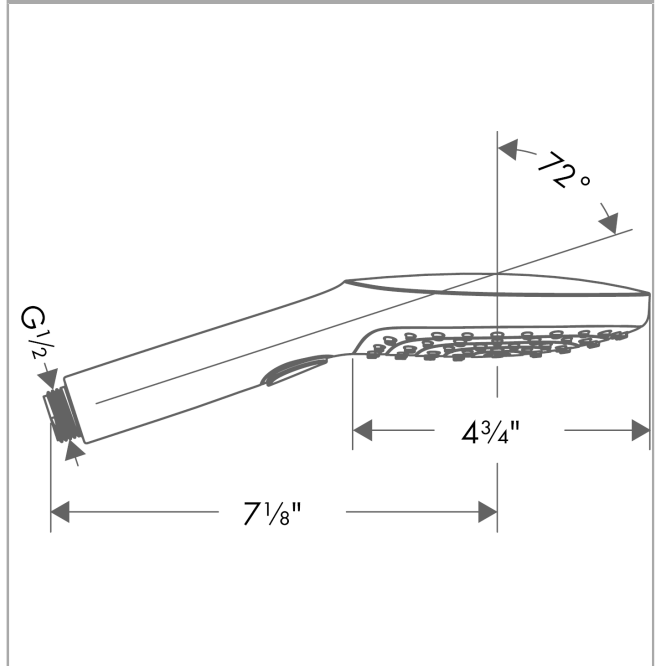
Compliance / Sustainability



Product image



Scale drawing

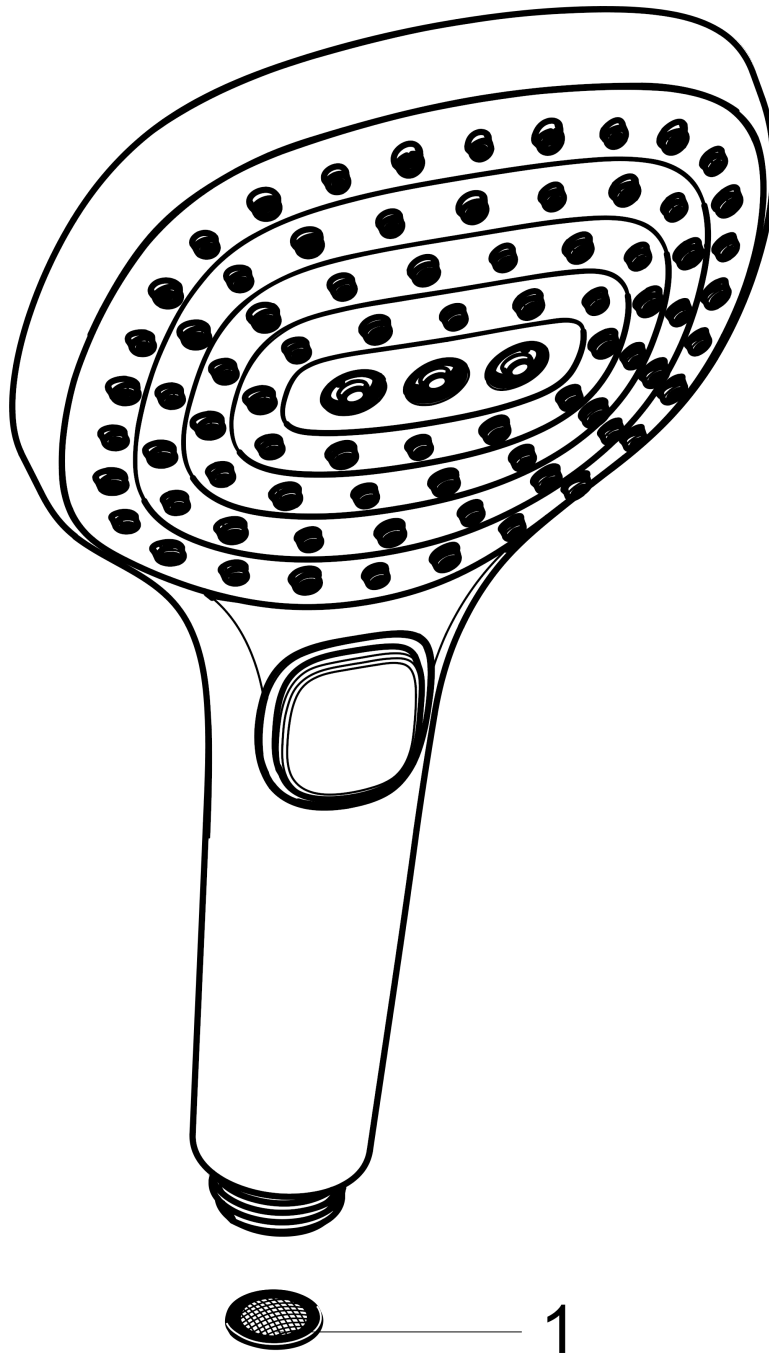


Raindance Select E
Handshower 120 3-Jet, 2.0 GPM
Finish: **Chrome** Part no. : **04528000**



Exploded drawing

Year of production: >01/14



Raindance Select E
Handshower 120 3-Jet, 2.0 GPM
 Finish: **Chrome** Part no. : **04528000**



Spare parts list

Year of production: >01/14

Pos.	Description	Part no.	PC	PU
1	filter packing	94246000	0	1