

Raindance E
Showerpipe without Shower Components
 Finish: **Chrome** Part no. : **04732000**

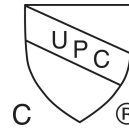


Description

Features

- Shelf color: Anodized aluminum
- 90° position adjustable hand shower holder, pivots left and right, up and down
- Height-adjustable hand shower holder
- Anti-scald 100° safety stop
- Integrated volume control/diverter for 2 functions
- Outlets may not be operated simultaneously
- Exposed installation
- Thermostatic cartridge
- Does not include: Showerhead, hand shower, hose
- 1 function

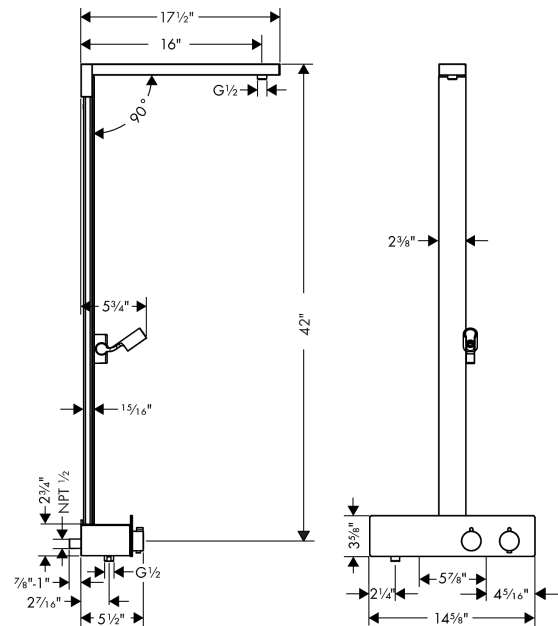
Compliance / Sustainability



Product image



Scale drawing

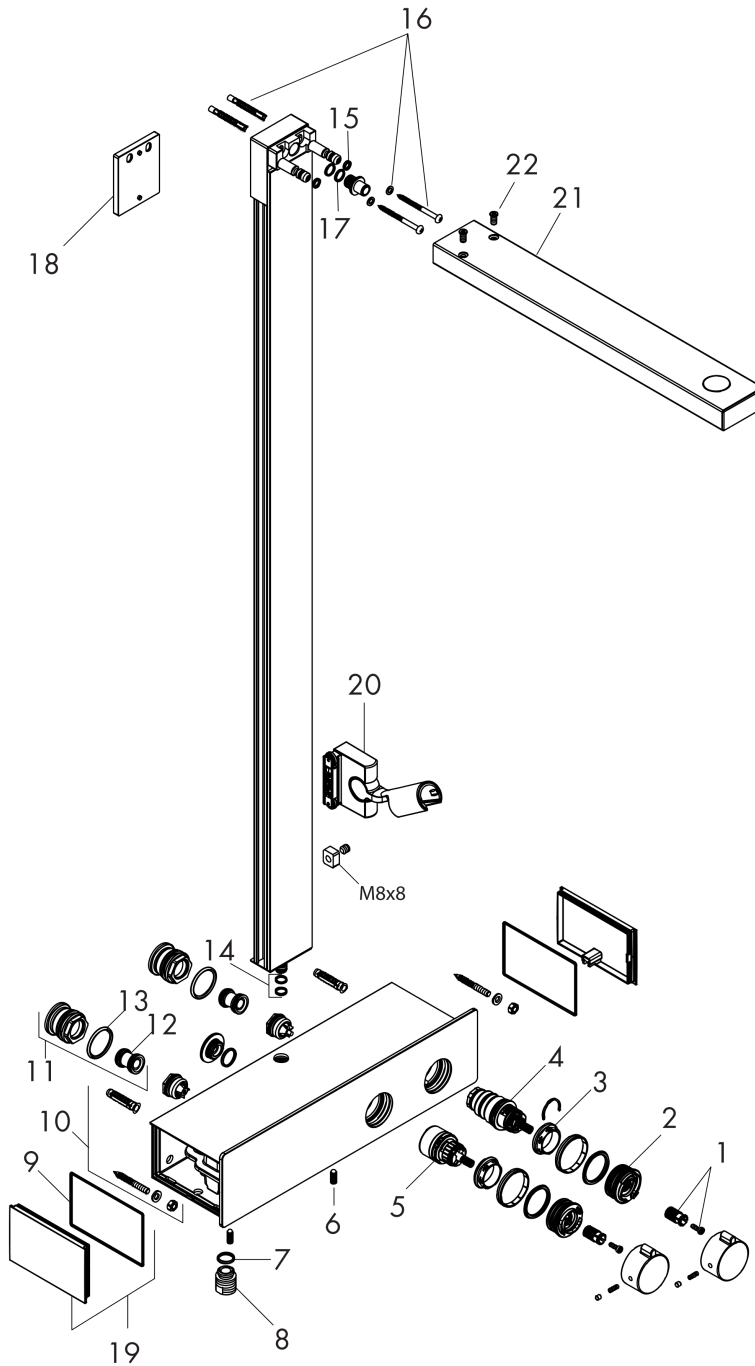


Raindance E
Showerpipe without Shower Components
 Finish: **Chrome** Part no. : **04732000**



Exploded drawing

Year of production: >03/18



Raindance E
Showerpipe without Shower Components
 Finish: **Chrome** Part no. : **04732000**



Spare parts list

Year of production: >03/18

Pos.	Description	Part no.	PC	PU
1	handle fixing set	93228000	0	1
2	safety set	93229000	0	1
3	nut	98913000	0	1
4	thermostat cartridge	98282000	0	1
5	shut off unit with selector	98283000	0	1
6	hollow set screw M6x16 including o-ring 29x3	98372000	0	1
7	O-ring 14x2	98129000	0	1
8	connecting thread	95392000	0	1
9	O-ring 76x2,5	98431000	0	1
10	mounting kit	98744000	0	1
11	set of S-unions	95772001	0	1
12	noise reduction	96429000	0	1
13	O-ring 29x3	98371000	0	1
14	O-ring 9x1,5	98117000	0	1
15	O-ring 6x2	98458000	0	1
16	mounting set	96179000	0	1
17	O-ring 10x1,5	98123000	0	1
18	tile-matching-disk 7 mm	93146000	0	1
19	cover	93225000	0	1
20	support, assy	93100000	0	1
21	shower arm	93221000	0	1
22	screw	93431000	0	1