

**WallStoris**

**Toilet Paper Holder with Shelf**

Finish: **matte black** Part no. : **27928670**



**Description**

**Features**

- Wall-mounted
- Plastic dyed through
- With mounting material
- Concealed fastening
- Open form - toilet paper can easily be hung
- suitable for roll widths up to 4.8"
- with storage space
- application - drill

**Design awards**



reddot winner 2021

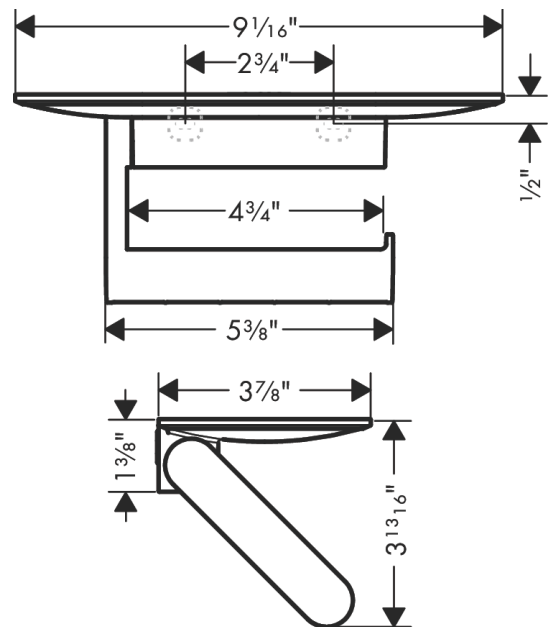
**Compliance / Sustainability**



**Product image**



**Scale drawing**



WallStoris

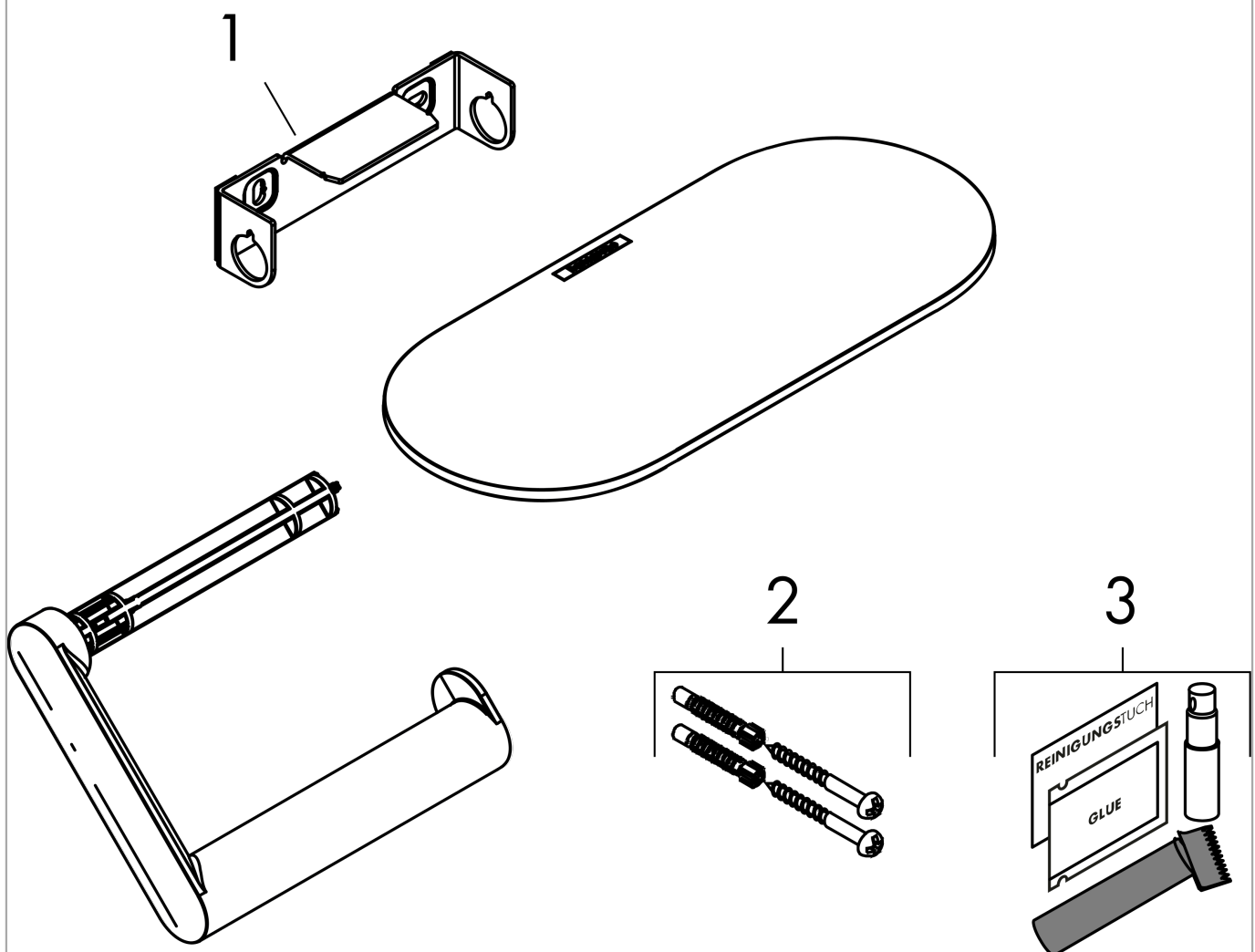
Toilet Paper Holder with Shelf

Finish: **matte black** Part no. : 27928670



Exploded drawing

Year of production: >10/21



**WallStoris**

**Toilet Paper Holder with Shelf**

Finish: **matte black** Part no. : **27928670**



**Spare parts list**

Year of production: >10/21

Pos.	Description	Part no.	PC	PU
1	support element	94799000	0	1
2	mounting set	96179000	0	1
3	mounting kit	94450000	0	1