

## WÖRGL

### 3/4" HIGH FLOW THERMOSTATIC SHOWER SYSTEM WITH JETS

SET.WL.350.930

#### Components Included

- **VE.350** - 3/4" High flow thermostatic valve with integrated 3 volume control
- **TM.WL.350** - 3/4" High flow thermostatic with 3 volume control trim
- **SH.02.1212** - 12" round stainless steel shower head
- **WA.02.16** - 16" wall mount shower arm with 1/2" female NPT connection
- **BH.03.03** - 31" sliding shower bar with hose and 3 function hand shower (HS.03.03)
- **EC.02.01** - Round brass elbow connector
- **BJ.02.01** - Round in-wall body jet with 1/2" female NPT connection (x4)

#### Available Finishes

- Chrome (CC)
- Brushed Nickel (BN)
- Matte Black (MB)
- Brushed Gold (BG)

(Model Pictured: Chrome)

#### Codes / Standards

- Uniform Plumbing Code (UPC®)
- ASME A112.18.1/CSA B125.1
- ASSE 1016

#### Warranty

- Valve & cartridge - Limited lifetime warranty
- Components - Limited lifetime warranty (see full warranty for details)



# WÖRGL

## ¾" HIGH FLOW THERMOSTATIC TRIM

TM.WL.350

### Description

---

- **TM.WL.350** - ¾" High flow valve with 3 volume control trim.

### Flow Rate

---

- 12 gpm / 45 lpm / 60 psi

### Cartridge

---

- CE.2300.TT - cartridge
- CE.1700.R - volume cartridge

### Available Finishes

---

- Chrome (CC)
- Brushed Nickel (BN)
- Matte Black (MB)
- Brushed Gold (BG)

(Model Pictured: Chrome)

---

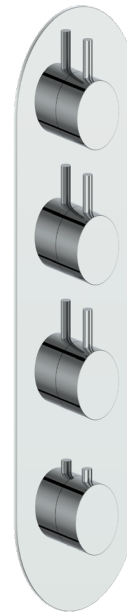
### Codes / Standards

---

- Uniform Plumbing Code (UPC®)
  - ASME A112.18.1/CSA B125.1
  - ASSE 1016
- 

### Warranty

- Limited lifetime warranty  
(see full warranty for details)



### 3/4" HIGH FLOW THERMOSTATIC VALVE

#### VE.350

#### Description

- 3/4" High flow thermostatic valve with 3 volume control
- 3/4" female NPT connections
- 1/2" male NPT adaptors included

#### Flow Rate

- 12 gpm / 45 lpm / 60 psi

#### Cartridge

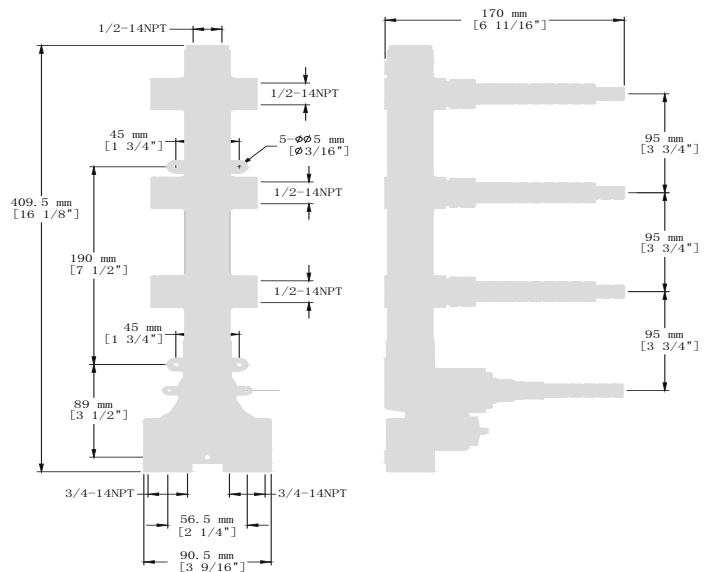
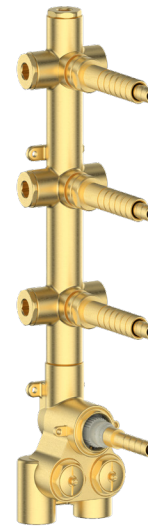
- CE.2300.TT cartridge
- CE.1700.R volume cartridge

#### Codes / Standards

- Uniform Plumbing Code (UPC®)
- ASME A112.18.1/CSA B125.1
- ASSE 1016

#### Warranty

- Limited lifetime warranty  
(see full warranty for more details)



### 16" WALL ARM

WA.02.16

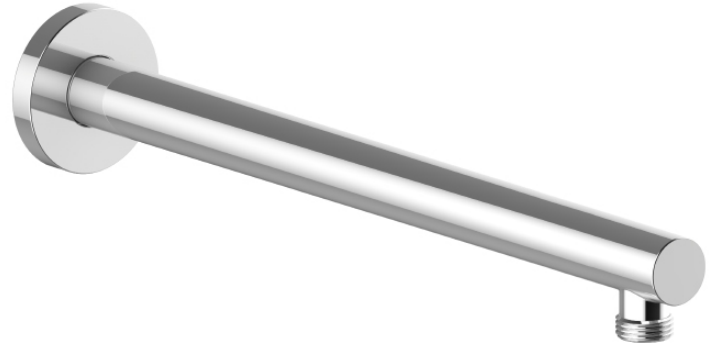
#### Description

- 16" wall mount shower arm with 1/2" female NPT connection
- Round pipe with round escutcheon plate

#### Available Finishes

- Chrome (CC)
- Brushed Nickel (BN)
- Glossy White / Chrome (CW)
- Matte Black (MB)
- Brushed Gold (BG)

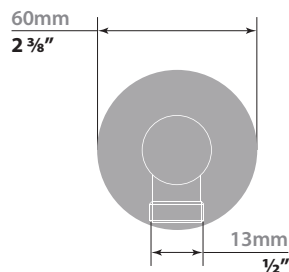
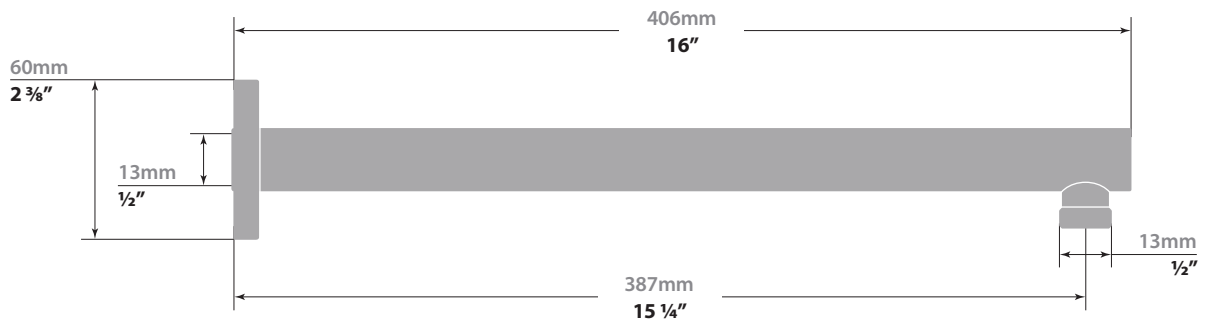
(Model Pictured: Chrome)



#### Codes / Standards

- Uniform Plumbing Code (UPC®)
- ASME A112.18.1/CSA B125.1

#### Warranty



### 12" ROUND SHOWER HEAD

SH.02.1212

#### Description

- 12" round stainless steel shower head
- Anti-limescale technology

#### Flow Rate

- 2.2 gpm | 8.3 lpm | 60 psi

#### Available Finishes

- Chrome (CC)
- Brushed Nickel (BN)
- Matte Black (MB)
- Brushed Gold (BG)

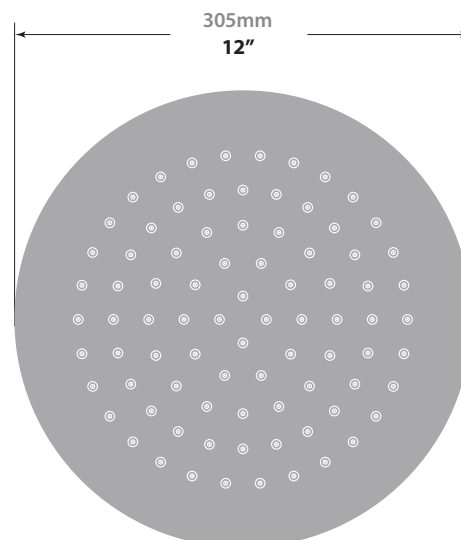
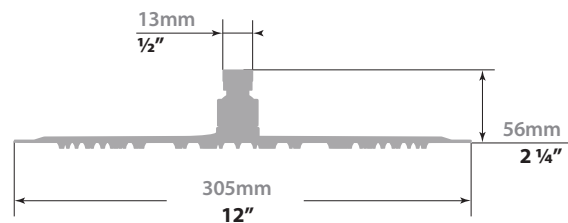
(Model Pictured: Chrome)

#### Codes / Standards

- Uniform Plumbing Code (UPC®)
- ASME A112.18.1/CSA B125.1

#### Warranty

- Limited lifetime warranty



# WÖRGL

## SLIDING SHOWER BAR WITH HANDSHOWER

BH.03.03

### Description

- SB.02.31 - 31" sliding shower bar
- HE.150 - 59" hose
- HS.03.03 - 3-function hand shower

### Flow Rate

- 2 gpm | 7.6 lpm | 60 psi

### Available Finishes

- Chrome (CC)
- Brushed Nickel (BN)
- Matte Black (MB)
- Brushed Gold (BG)

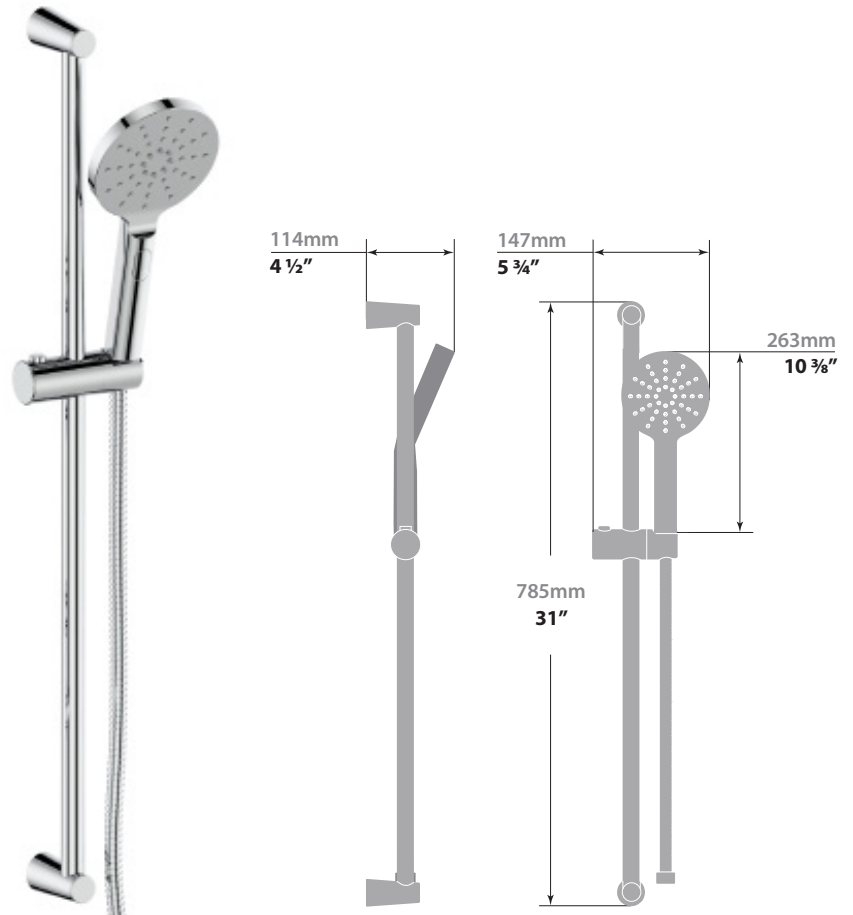
(Model Pictured: Chrome)

### Codes / Standards

- Uniform Plumbing Code (UPC®)
- ASME A112.18.1/CSA B125.1
- ASSE 1016

### Warranty

- Limited lifetime warranty



### ROUND WALL SUPPLY ELBOW

EC.02.01

#### Description

- Round brass elbow connector with ½" female NPT connection

#### Available Finishes

- Chrome (CC)
- Brushed Nickel (BN)
- Glossy White / Chrome (CW)
- Matte Black (MB)
- Brushed Gold (BG)

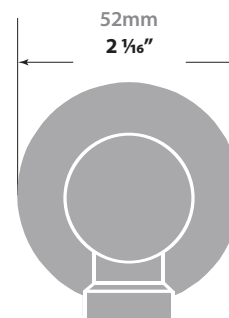
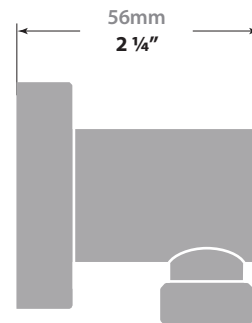
(Model Pictured: Chrome)

#### Codes / Standards

- Uniform Plumbing Code (UPC®)
- ASME A112.18.1/CSA B125.1

#### Warranty

- Limited lifetime warranty (see full warranty for details)



### ROUND IN-WALL JET

BJ.02.01

#### Description

- Built-in body jet with 1/2" female NPT connection

#### Flow Rate

- 2.6 gpm / 10 lpm / 60 psi

#### Available Finishes

- Chrome (CC)
- Brushed Nickel (BN)
- Matte Black (MB)
- Polished Nickel (PN)
- Brushed Gold (BG)

(Model Pictured: Chrome)

#### Codes / Standards

- Uniform Plumbing Code (UPC®)
- ASME A112.18.1/CSA B125.1

#### Warranty

- Limited lifetime warranty  
(see full warranty for details)

