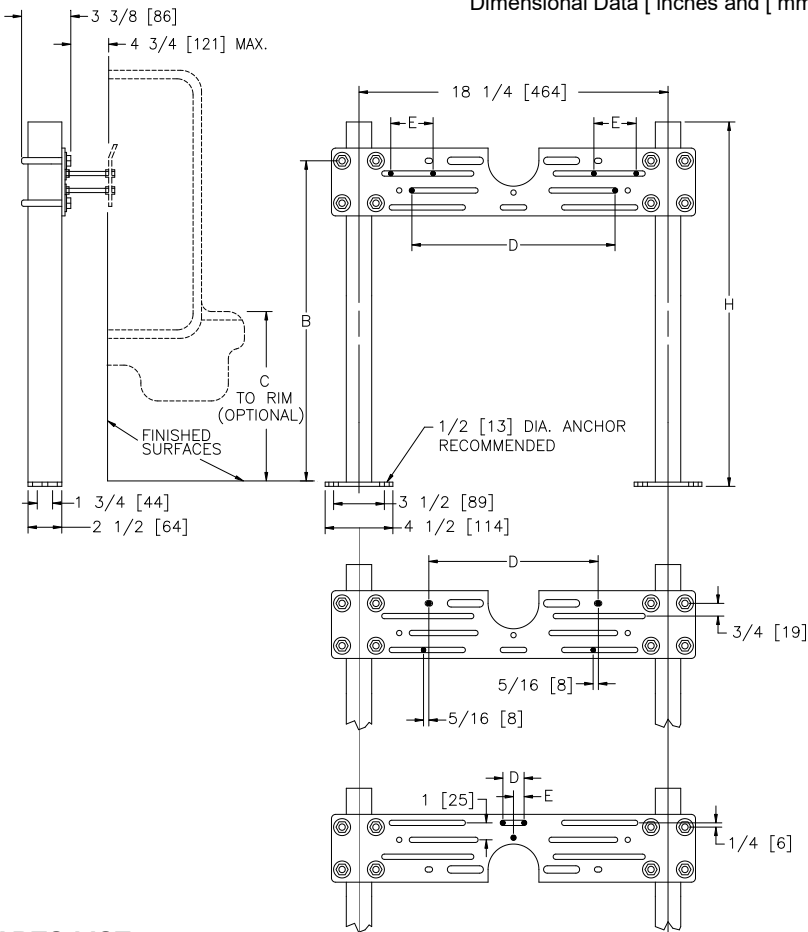




Z1221 Universal Installation Sheet

Dimensional Data [inches and [mm]] are Subject to Manufacturing Tolerances and Change Without Notice



FIX. NAME	FIX. NO.	B	C	D	E	DETAIL	H
AMERICAN STANDARD							
WASHBROOK	6501.010	39-3/4 [1010]	24 [610]	13-1/2 [343]	1-3/16 [30]	1	42
	6506.011	39-3/4 [1010]	24 [610]	13-1/2 [343]	1-3/16 [30]	1	42
	6515.125	39-1/2 [1003]	24 [610]	13-1/2 [343]	1-3/16 [30]	1	42
	6590.125	39-1/2 [1003]	24 [610]	13-1/2 [343]	1-3/16 [30]	1	42
	6590.525	39-1/2 [1003]	24 [610]	13-1/2 [343]	1-3/16 [30]	1	42
ALLBROOK	6541.132	31-3/4 [806]	24 [610]	1-3/16 [30]	1-9/32 [15]	3	36
TRIMBROOK	6561.017	38-3/8 [975]	24 [610]	11 [279]	1-3/16 [30]	1	42
PINTBROOK	6002.001	33-3/8 [848]	24 [610]	6 [152]	1-3/16 [30]	1	36
ELJER							
CORRECTO	161-1030	40-1/8 [1019]	24 [610]	12 [305]	1 [25]	1	48
	161-1035	40-1/8 [1019]	24 [610]	12 [305]	1 [25]	1	48
	161-1045	40-1/8 [1019]	24 [610]	12 [305]	1 [25]	1	48
	161-1050	40-1/8 [1019]	24 [610]	12 [305]	1 [25]	1	48
	161-1060	40-1/8 [1019]	24 [610]	12 [305]	1 [25]	1	48
	161-1065	40-1/8 [1019]	24 [610]	12 [305]	1 [25]	1	48
	161-1075	40-1/8 [1019]	24 [610]	12 [305]	1 [25]	1	48
	161-1080	40-1/8 [1019]	24 [610]	12 [305]	1 [25]	1	48
	161-2030	40-1/8 [1019]	24 [610]	12 [305]	1 [25]	1	48
SAVON	161-1090	36-1/2 [927]	24 [610]	11 [279]	1 [25]	1	42
	161-1095	36-1/2 [927]	24 [610]	11 [279]	1 [25]	1	42
TERMINAL	161-1100	34-5/8 [879]	25-1/2 [648]	9-1/2 [241]	1 [25]	1	42
DOVER	161-1150	33-1/8 [841]	24 [610]	6 [152]	1 [25]	1	36
	161-1155	33-1/8 [841]	24 [610]	6 [152]	1 [25]	1	36
BEDFORDSHIRE	161-1190	32-1/8 [816]	24 [610]	6 [152]	1 [25]	1	36
SIGNATURE	161-2090	36-1/2 [927]	24 [610]	11 [279]	1 [25]	1	42
	161-2095	36-1/2 [927]	24 [610]	11 [279]	1 [25]	1	42
KOHLER							
BARDON	K-4904-ET	41-1/4 [1048]	24 [610]	12 [305]	1 [25]	1	48
BARDON	K-4960	41-1/4 [1048]	24 [610]	12 [305]	1 [25]	1	48
ZURN							
URINAL	Z5730	31-3/4 [806]	24 [610]	1 [25]	1/2 [13]	3	36
SMALL PINT	Z5738	32 [813]	24 [610]	1 [25]	1/2 [13]	3	36
URINAL	Z5740	31-3/4 [806]	24 [610]	1 [25]	1/2 [13]	3	36
URINAL	Z5750	38-3/4 [984]	24 [610]	14 [356]	1 [25]	1	42
RETRO PINT	Z5758	41-1/8 [1046]	24 [610]	14 [356]	1 [25]	1	48
RETRO PINT	Z5759	41-1/8 [1046]	24 [610]	14 [356]	1 [25]	1	48
URINAL	Z5760	38-3/4 [984]	24 [610]	14 [356]	1 [25]	1	42
WATERLESS	Z5795	39-3/4 [1010]	24 [610]	14 [356]	1 [25]	1	42
SMALL							
WATERLESS	Z5796	30-7/8 [784]	24 [610]	1 [25]	1/2 [13]	3	36
"THE PINT"	Z5798	38-3/4 [984]	24 [610]	14 [356]	1 [25]	1	42
"THE PINT"	Z5799	38-3/4 [984]	24 [610]	14 [356]	1 [25]	1	42

PARTS LIST

- (1) #221 HARDWARE BAG (66955-221)
 CONTAINS:
 (1) UNIVERSAL PLATE 55846-001
 (1) #240 HARDWARE BAG 66955-240

⚠ WARNING: Cancer and Reproductive Harm - www.P65Warnings.ca.gov
⚠ ADVERTENCIA: Cáncer y daño reproductivo - www.P65Warnings.ca.gov
⚠ AVERTISSEMENT: Cancer et effets néfastes sur la reproduction - www.P65Warnings.ca.gov