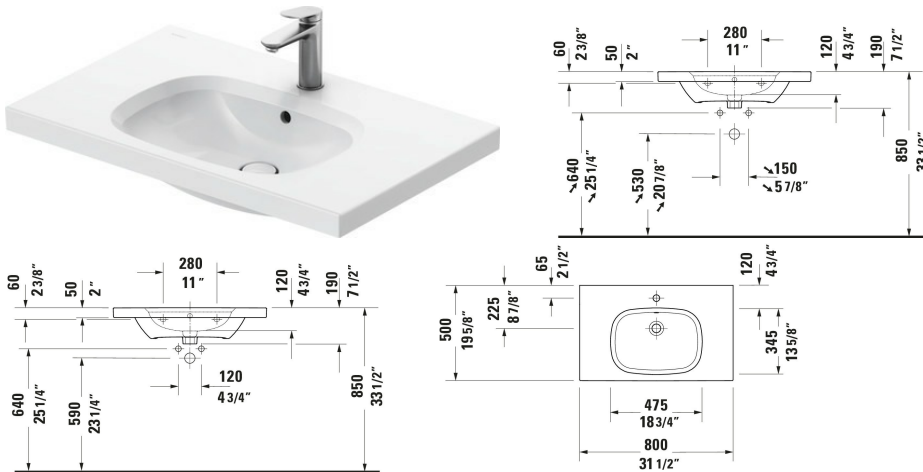


Aurena Wall Mounted Sink # 238780..00 / 238780..00 / 238780..00

|< 31 1/2 " >|



Wall Mounted Sink	Dimension	Weight	Order number
Rectangular, Number of basins: 1 Middle, Includes faucet deck: Yes, Number of faucet holes: 1 Middle, Overflow: Yes, Number of pre-marked faucet holes: 1, incl. push-open waste, Includes ceramic drain cover, Underside glazed, Back side glazed: No, 31 1/2 "			
Colors			
AA White HygieneGlaze Plus (an antibacterial ceramic glaze that provides almost indefinite effectiveness) AC White Satin Matt HygieneGlaze Plus (an antibacterial ceramic glaze that provides almost indefinite effectiveness) AF Black Matt HygieneGlaze Plus (an antibacterial ceramic glaze that provides almost indefinite effectiveness)			
Variant			
● ● White High Gloss	31 1/2 "x7 1/2 "	54.454 lb	238780..00
● ● White Satin Matte	31 1/2 "x7 1/2 "	54.454 lb	238780..00
● ● Black Matte	31 1/2 "x7 1/2 "	54.454 lb	238780..00
Spare parts			
Sink Drain Suitable for washbasin with overflow, Ø 2 1/2 "	Ø 2 1/2 "	0.75 lb	005052
Suitable products			
Console Number of storage surface: 1, Number of towel rails: 1, Pedestal color: Stainless Steel Brushed Stainless Steel, Adjustable height, 30 7/8 x 19 3/8 "	30 7/8 x 19 3/8 "		AU4583
Console Number of storage surface: 1, Number of towel rails: 1, Pedestal color: Stainless Steel Brushed Aluminum, Adjustable height, 30 7/8 x 19 3/8 "	30 7/8 x 19 3/8 "		AU4582

Aurena Wall Mounted Sink # 238780..00 / 238780..00 / 238780..00

|< 31 1/2 " >|

<p>Vanity Cabinet Number of drawers: 2, Number of towel rails: 1, Without handle, Siphon cut-out: Yes, Panel: Yes, Slow close, Pressure inlet, Profile: Stainless Steel, Brushed, Aluminum, 30 7/8 x 19 3/8 " Drawer organizer Optional, Feet Yes, Adjustable height, 30 7/8 x 19 3/8 "</p>	<p>AU4573</p>
<p>Vanity Cabinet Number of drawers: 2, Number of towel rails: 1, Without handle, Siphon cut-out: Yes, Panel: Yes, Slow close, Pressure inlet, Profile: Stainless Steel, Brushed, Aluminum, 30 7/8 x 19 3/8 " Drawer organizer Optional, Feet Yes, Adjustable height, 30 7/8 x 19 3/8 "</p>	<p>AU4572</p>

All drawings contain the necessary measurements which are subject to standard tolerances. They are stated in inch & mm and are non-binding. Exact measurements, in particular for customized installation scenarios, can only be taken from the finished ceramic piece.