

BOSTON SERIES TOWEL WARMER

Chauffe-serviettes
Calentador de toallas



● POLISHED CHROME (PC)
BOS-0800500-PC

STOCKED FINISHES



● BRUSHED NICKEL (BN)
BOS-0800500-BN



● POLISHED NICKEL (PN)
BOS-0800500-PN



● MATTE BLACK (MB)
BOS-0800500-MB

FEATURES

- Wall Mounted
- Hardwire Installation Kit
- Mounting Instruction
- All Electric and Oil Filled
- Cover Plates

Timers available separately (not included)

SIZES

- 540 x 500 mm
- 800 x 500 mm
- 1200 x 600 mm

SEE PAGE 2 FOR SPECIFICATION DRAWINGS

Product Code	Finishes	Sizes (mm)		Sizes (Inches)		Output (Watts / BTU)	Element Size	Number of Bars
		Height	Width	Height	Width			
BOS-0800500	PC, BN, PN	800	500	31.5	19.69	255 / 870	150W	13
BOS-0800500	MB	800	500	31.5	19.69	323 / 1101	300W	13
BOS-1200600	PC, BN, PN	1200	600	47.24	23.62	452 / 1543	300W	20
BOS-1200600	MB	1200	600	47.24	23.62	573 / 1954	400W	20
BOS-0540500	PC	540	500	21.26	19.69	147 / 503	100W	7
BOS-0540500	MB	540	500	21.26	19.69	187 / 637	100W	7



Intertek

NOTE: Dimensions and specifications are subject to change without notice.

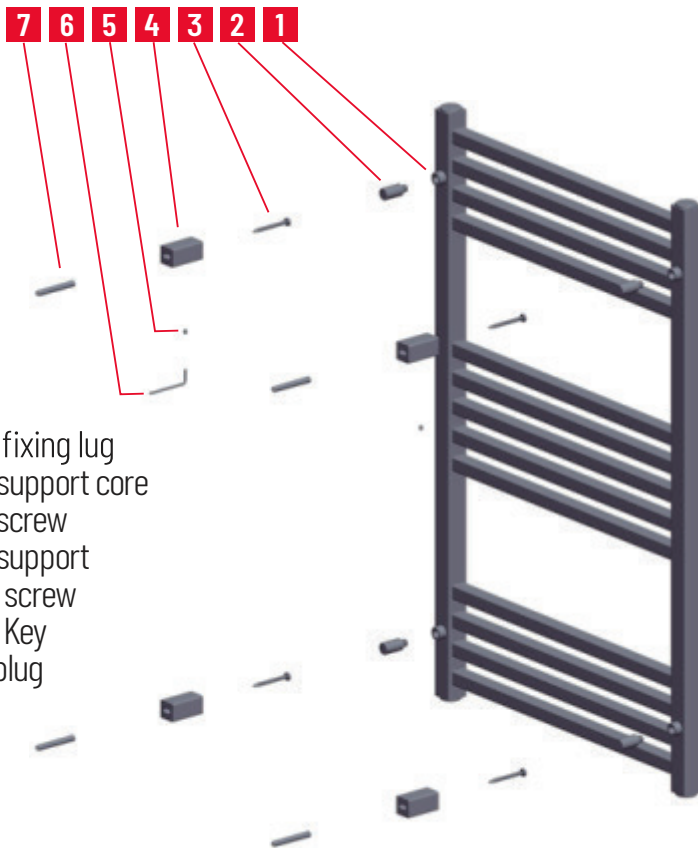
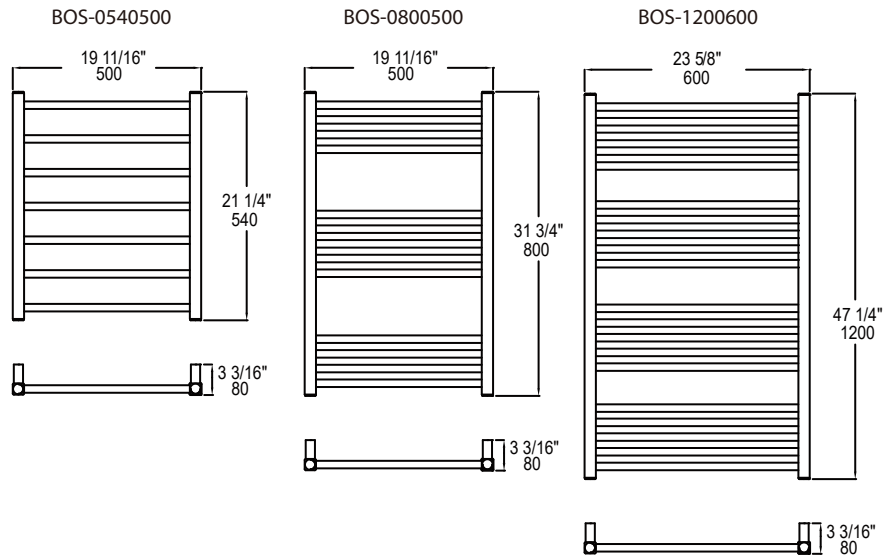


Towel Warmers

PRODUCT SPECIFICATION SHEET

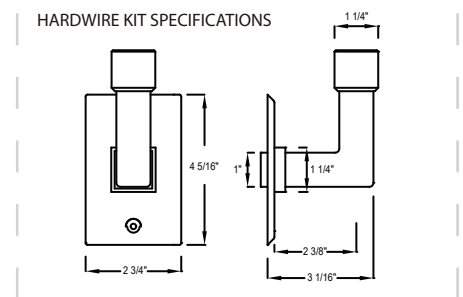
BOSTON SERIES TOWEL WARMER

Chauffe-serviettes
Calentador de toallas



1. Solid fixing lug
2. Wall support core
3. Wall screw
4. Wall support
5. Grub screw
6. Allen Key
7. Wall plug

Vernon Towel Warmer Hardwire Kit Round -PC
Code: VTW-HWK-RD-PC



TIMERS AVAILABLE

Visit verrontowelwarmers.com for details



NOTE: Dimensions and specifications are subject to change without notice.