

DEBLIN KINDERGARTEN TOILET

4.8LPF / 1.28GPF

□ 4762BKX

Top Inlet

PRODUCT SPECS

- High efficiency flushometer valve bowl
- 4.8Lpf / 1.28Gpf
- Vitreous china
- 11" Bowl height
- 10" (254mm) Rough-in
- 2" Fully glazed ball pass trapway
- Siphon jet flush action
- 1½" NPT Top inlet spud
- Water surface 9¼" x 8¼" (235mm x 210mm)
- Toilet seat included

DIMENSIONS

343mm W x 584mm D x 280mm H

13½" W x 23" D x 11" H

COMPLIANCE CERTIFICATIONS

Meets or exceeds the following:

- IAPMO cUPC
- US EPA WaterSense
- ASME A112.19.2 / CSA B45.1
- ADA Guidelines & ANSI A117.1
- MaP Tested 800g
- US EPA WaterSense Version 1.0 Specification
(To comply Water Sense Certification. Water Sense certified flushometer valve in 4.8Lpf/1.28Gpf should be used)
- NBC and OBC Section 3.8 Barrier Free design and CSA B651 Standard.
- LEED Compliant

SHIPPING

Cube 2.92

GW 40 lbs



TO BE SPECIFIED

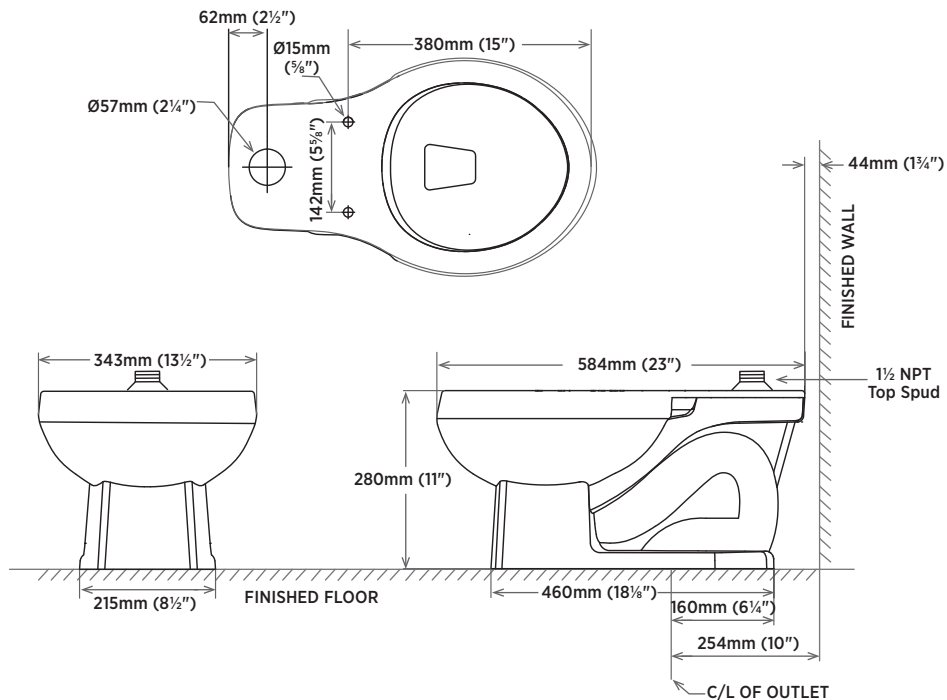
Colour:

- Soft White

NOTES: This toilet is designed to rough-in at a minimum dimension of 254mm (10") from finished wall to C/L of outlet. Flushometer valve not included with fixture and must be ordered separately.

Important: Dimensions of fixtures are nominal and may vary within the range of tolerances established by ASME standard A112.19.2. These measurements are subject to change or cancellation. No responsibility is assumed for use of superseded or voided pages.

Products are designed to comply ADA/ANSI A117.1 Standard. It shall be the responsibility of the installer to comply with the local disability codes and standards prior to installing the product.



REVISED OCTOBER 2022

contrac

CANADA
USA

5970 CHEDWORTH WAY, UNIT B, MISSISSAUGA, ONTARIO, CANADA L5R 4G5 | CONTRAC.CA
6241 NORTHWIND PARKWAY, HOBART, INDIANA, USA 46342