

Features

- Brass drain and color-matched brass drain cover
- With overflow
- Elongated oval basin
- No faucet holes; requires counter-mount faucet with lift rod

Material

- Vitreous china

Installation

- Undermount



ADA CSA B651 OBC

Codes/Standards

ASME A112.19.2/CSA B45.1
ADA
ICC/ANSI A117.1
CSA B651
OBC
IAPMO Certification


KOHLER® One-Year Limited Warranty

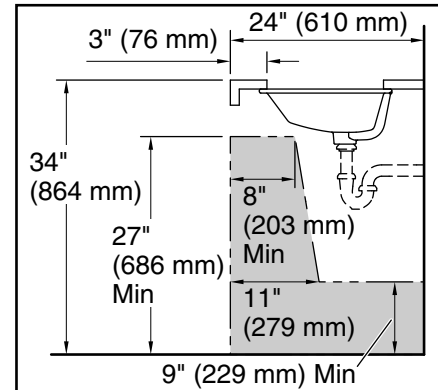
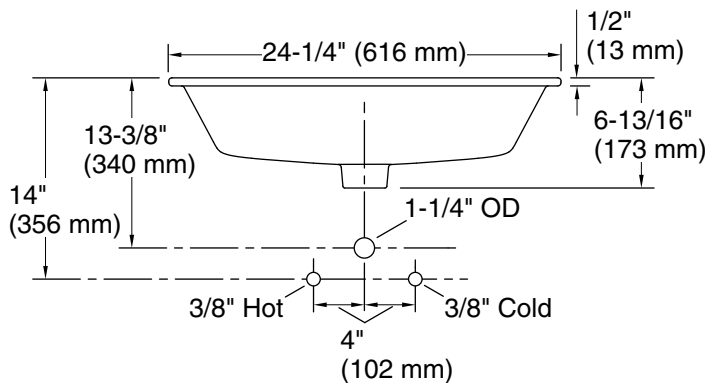
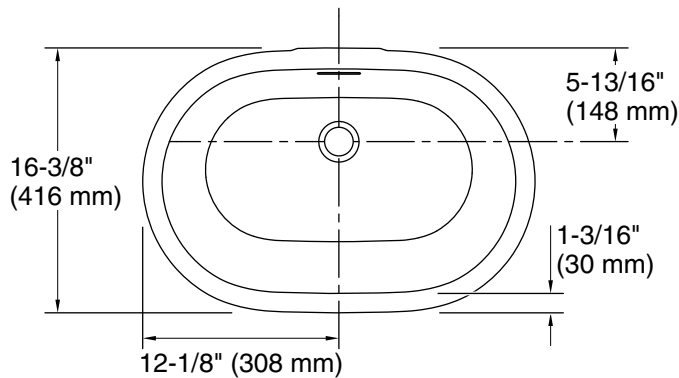
See website for detailed warranty information.

Available Colors/Finishes

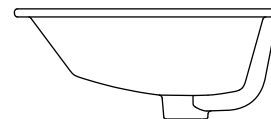
Color tiles intended for reference only.

Color	Code	Description
-------	------	-------------

	0	White
---	---	-------



Recommended ADA Installation



Technical Information

All product dimensions are nominal.

Bowl configuration:	Single Bowl
Bowl area (Basin #1):	Length: 22-1/16" (560 mm) Width: 13-7/8" (352 mm) Bowl depth: 5-1/8" (130 mm)
With overflow:	Yes
Drain hole:	1-3/4" (45 mm)
Template:	1483029-7, required, included

Notes

Install this product according to the installation instructions.

NOTICE: Countertop manufacturer or cutter must use the cut-out template provided with the product, or a current one provided by Kohler Co. (call 1-800-4-KOHLER). Kohler Co. is not responsible for cutout errors when the incorrect cut-out template is used.

ADA, OBC, CSA B651 compliant when installed to the specific requirements of these regulations.