



Chalice

22-3/4" oval vessel bathroom sink
K-31701

Features

- Elongated oval basin
- With overflow
- No faucet holes; requires wall- or tall deck-mount faucet
- Color matches seamlessly with other KOHLER® products

Material

- Vitreous china

Installation

- Vessel



ADA

Codes/Standards

ASME A112.19.2/CSA B45.1
ADA
ICC/ANSI A117.1
IAPMO Certification

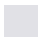
KOHLER® One-Year Limited Warranty

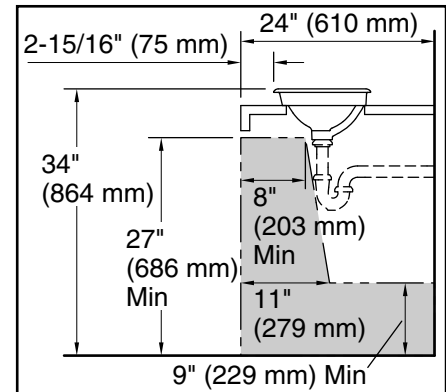
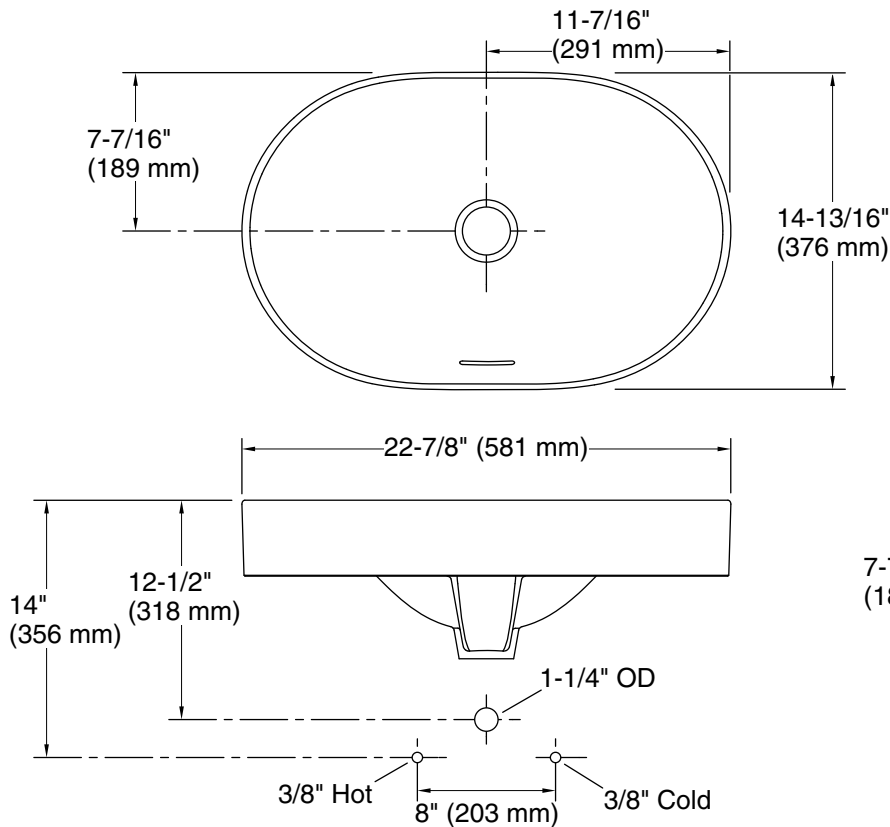
See website for detailed warranty information.

Available Colors/Finishes

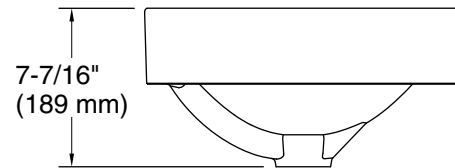
Color tiles intended for reference only.

Color	Code	Description
-------	------	-------------

	0	White
---	---	-------



Recommended ADA Installation



Technical Information

All product dimensions are nominal.

- Bowl configuration: Single Bowl
- Bowl area (Only): Length: 22-1/8" (562 mm)
 Width: 14-5/16" (363 mm)
 Bowl depth: 5-9/16" (142 mm)
- With overflow: Yes
- Drain hole: 1-3/4" (45 mm)
- Template: Above-counter, 1507716-7, required, not included

Notes

- Install this product according to the installation instructions.
- ADA compliant when installed to the specific requirements of these regulations.