

Tecturis S
Single-Hole Faucet 110 with Pop-Up Drain, 1.2 GPM
 Finish: **Matte Black** Part no. : **73314671**



Description

Features

- Consists of: Single-Hole Faucet
- Handle design: lever handle
- Spray pattern: Aerated spray
- Maximum flow rate : 1.2 GPM
- 90-degree ceramic valves

Technology



Design awards



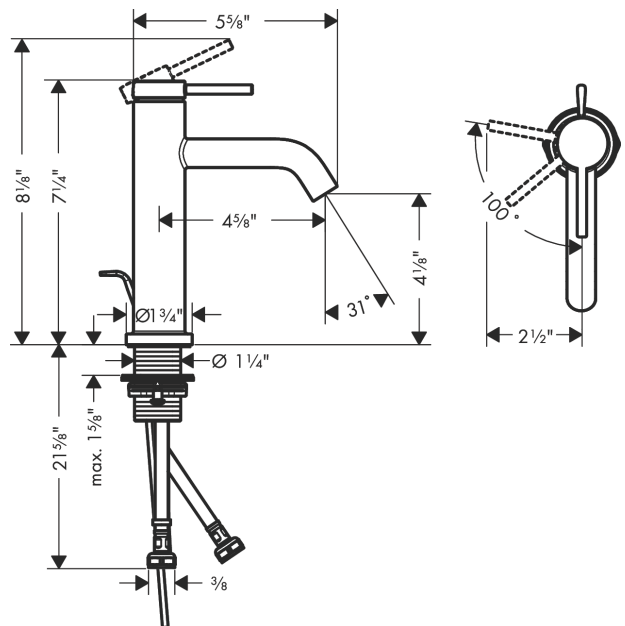
Compliance / Sustainability



Product image



Scale drawing

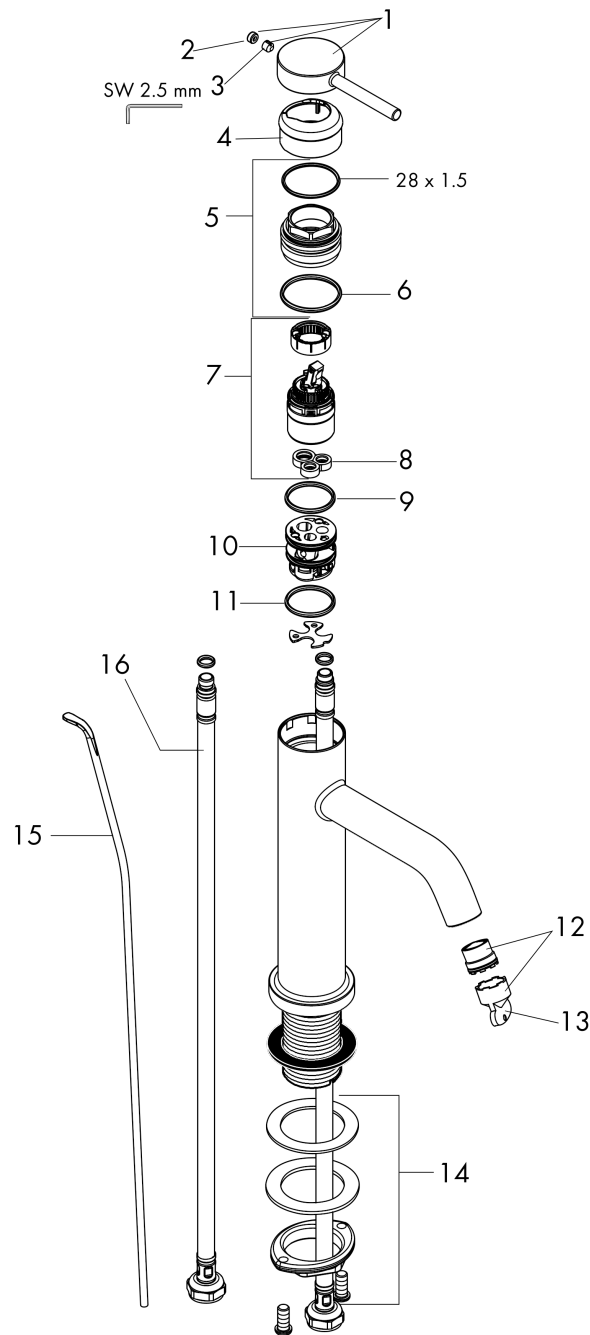


Tecturis S
Single-Hole Faucet 110 with Pop-Up Drain, 1.2 GPM
 Finish: **Matte Black** Part no. : **73314671**



Exploded drawing

Year of production: >02/24



Tecturis S
Single-Hole Faucet 110 with Pop-Up Drain, 1.2 GPM
 Finish: **Matte Black** Part no. : **73314671**



Spare parts list

Year of production: >02/24

Pos.	Description	Part no.	PC	PU
1	handle	94985670	0	1
2	screw cover	93735610	0	1
3	hollow set screw M5x5	98446000	0	1
4	flange	93737670	0	1
5	nut	92926000	0	1
6	O-ring 29x2	98391000	0	1
7	cartridge, assy	93760000	0	1
8	seal	93383000	0	1
9	O-ring 25x1,5	98146000	0	1
10	adapter for cartridge	98866000	0	1
11	O-ring 23x2	98398000	0	1
12	aerator M16,5x1 (4,5 l/min)	92875000	0	1
13	special tool	98987000	0	1
14	fixing set (Ø 32)	13961000	0	1
15	pull rod	96657670	0	1
16	connection hose 23½" M8x0,75 3/8"	98600001	0	1
a	pop up waste	88509670	0	1