

**Tecturis S**  
**Single-Hole Fine 110, 1.2 GPM**  
 Finish: **Chrome** Part no. : **73321001**



**Description**

**Features**

- Handle design: lever handle
- Spray pattern: Aerated spray
- Maximum flow rate : 1.2 GPM
- Ceramic cartridge

**Technology**



**Design awards**



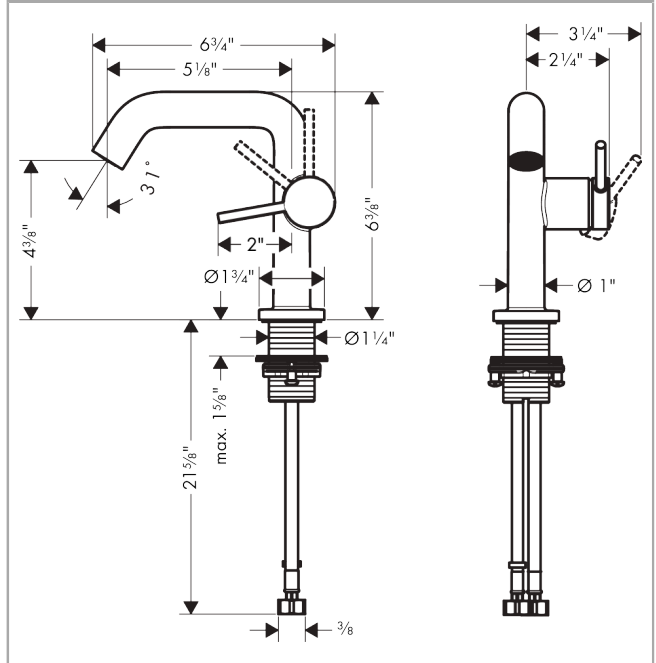
**Compliance / Sustainability**



**Product image**



**Scale drawing**

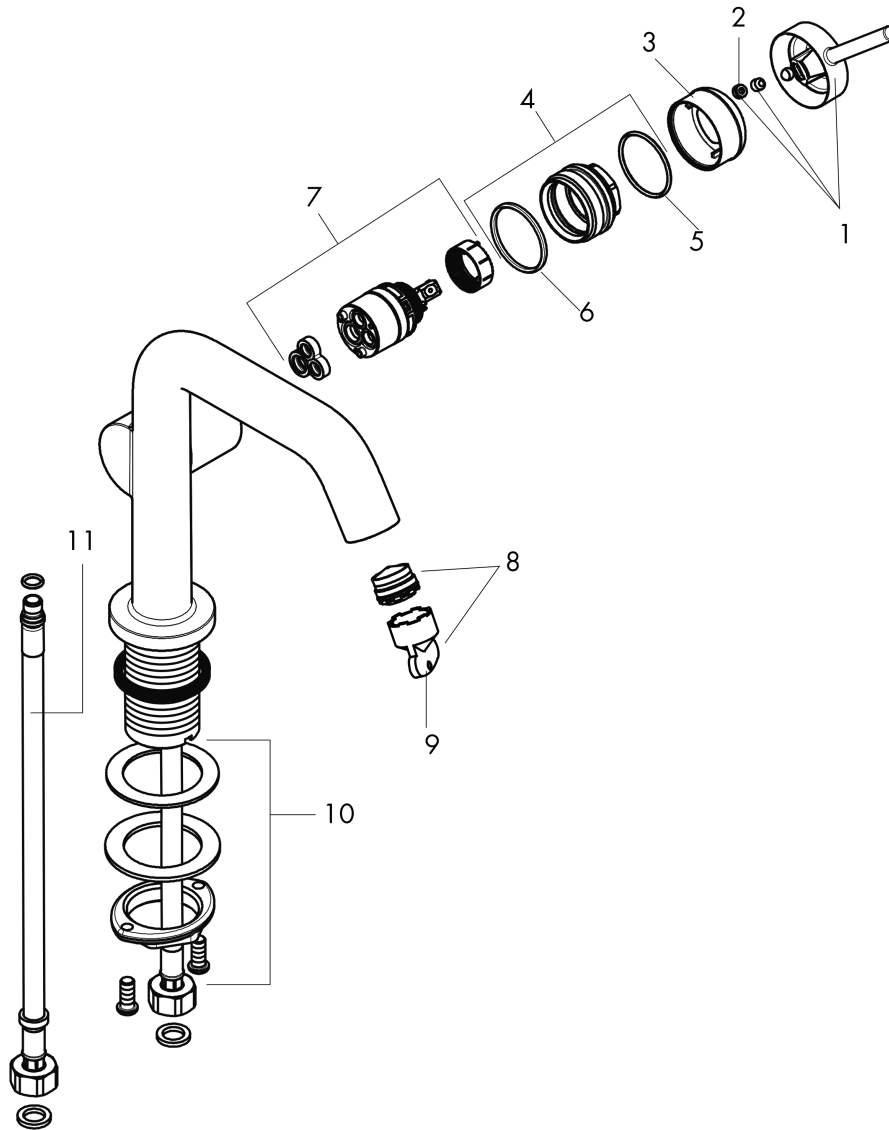


**Tecturis S**  
**Single-Hole Fine 110, 1.2 GPM**  
 Finish: **Chrome** Part no. : **73321001**



Exploded drawing

Year of production: >02/24



**Tecturis S**  
**Single-Hole Fine 110, 1.2 GPM**  
 Finish: **Chrome** Part no. : **73321001**



Spare parts list

Year of production: >02/24

Pos.	Description	Part no.	PC	PU
1	handle	94999000	0	1
2	screw cover	93735460	0	1
3	escutcheon	94987000	0	1
4	nut	94989000	0	1
5	O-ring 28x1,5	98421000	0	1
6	O-ring 29x2	98391000	0	1
7	cartridge, assy	93760000	0	1
8	aerator cpl.	87100000	0	1
9	service tool	93750000	0	1
10	fixing set (Ø 32)	13961000	0	1
11	connection hose 23½" M8x0,75 3/8"	98600001	0	1