

Louie 6731 Acrylic Freestanding Bathtub

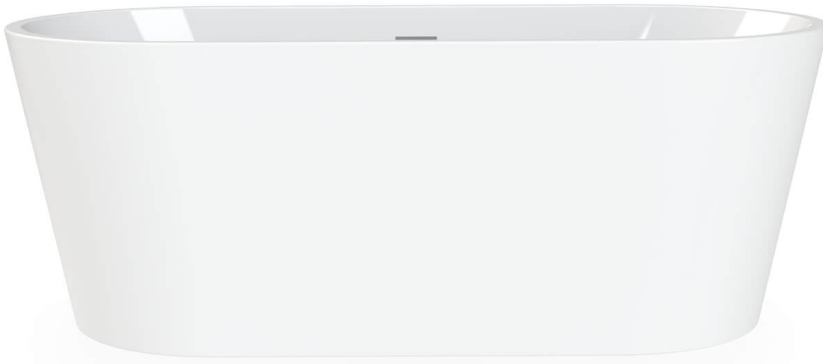
Model number:

106385-000-001-000

Dimensions: 66.875" x 31.25" x 23"

Installation: Freestanding

Material: Acrylic



Standard Features:

- Seamless 1-piece bathtub with symmetrical look
- Maximised bathing well with comfortable backrests and center drain
- Linear overflow and waste in chrome (pre-installed)
- F² Drain compatible
- MAAX innovative leveling legs for easy installation
- Only offered in white with optional trim finishes available

Product characteristics:

- 1-Piece Tub
- Adjustable Leveling Legs
- Easy Installation

Standard Colors:



White

Certifications

MAAX products adhere to one or more of the following certifications:



MAAX

Louie 6731 Acrylic Freestanding Bathtub

Model number:

106385-000-001-000

Dimensions: 66.875" x 31.25" x 23"

Installation: Freestanding

Material: Acrylic

Dimensions

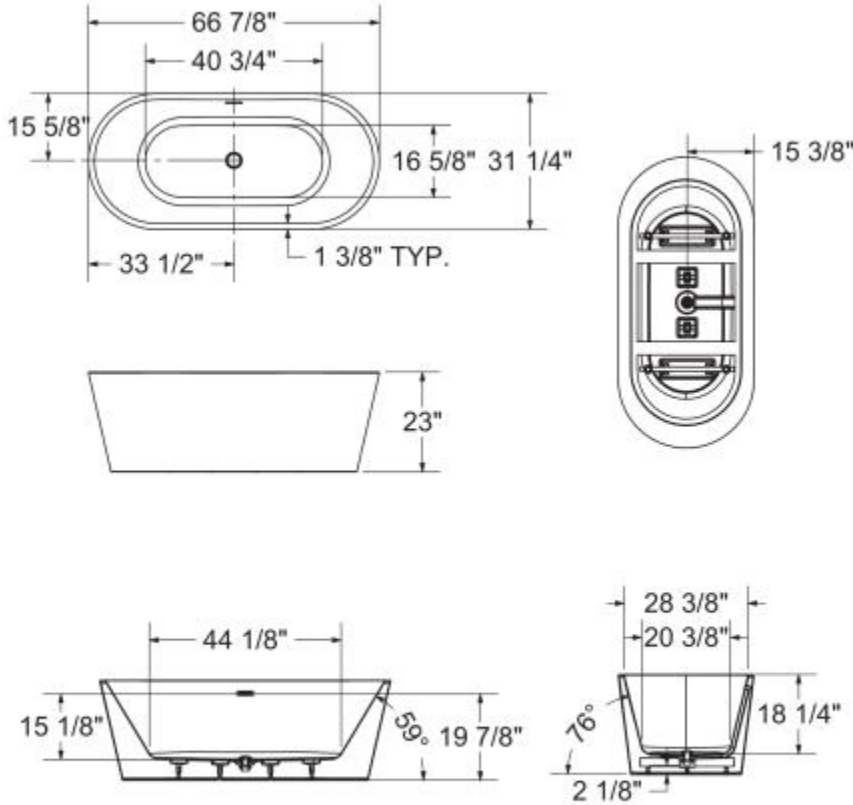
67 x 31 1/4 x 23 In.
(1699 x 794 x 584 mm)

Weight

106 lbs - 48 kg

Drain location:

Center



All dimensions are approximate. Structure measurements must be verified against the unit to ensure proper fit.

Project:

Contractor:

Representative:

Date:

Tel:

Notes:

MAAX