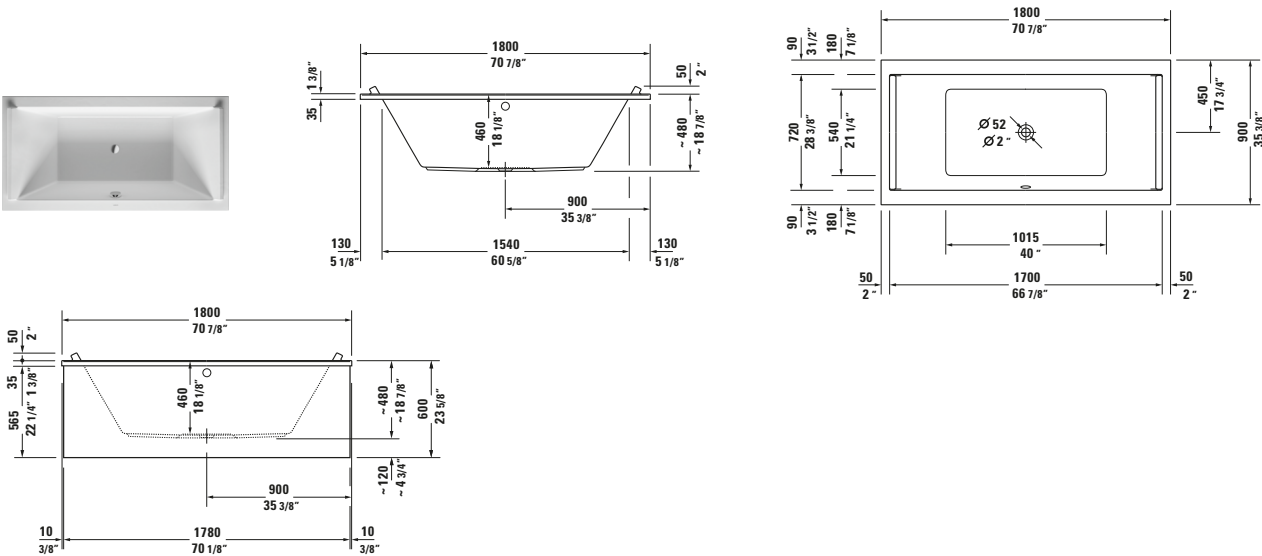


Built-in bathtub



Basic information	
Long description	Duravit Starck Built-in bathtub 70 7/8 "x35 3/8 " White, drop-in, Material: Sanitary acrylic, Rectangular, Number of backrests: 2, Drain orientation: Middle, Overflow – 700339000000090

Specifications	
Width / Length	70 7/8 "
Depth/width	35 3/8 "
Height	18 7/8 "
Min. Height with Feet	23 7/8 "
Height with Support	23 5/8 "

Description texts	
Tender text	Duravit Starck Built-in bathtub White 70 7/8 "x35 3/8 ", Designer: Philippe Starck, Shape: Rectangular, Sanitary acrylic, Installation Type: drop-in, Panel possible, Number of backrests: 2, Position of backrest: Left, Right, Molded headrest, Overflow, Overflow type: Rotary eccentric, Overflow position: Middle, Drain orientation: Middle, White, Includes support frame, EAN No.: 4021534894947, Article weight: 71.65 lb, Capacity gal: 56 gal, Internal Depth: 18 1/8 ", Diameter: 0 ", Dimensions (Width / Length x Depth/width x Height): 70 7/8 " x 35 3/8 " x 18 7/8 ", Article No.: 700339000000090

Logistics	
Article weight	71.65 lb

Features	
<b>Installation</b>	
Installation Type	drop-in
Position of backrest	Left / Right
Capacity gal	56 gal
<b>Material</b>	
Material	Sanitary acrylic
<b>color</b>	
color value	White
Gloss level	Gloss
<b>Overflow</b>	
Overflow type	Rotary eccentric
<b>Relevant certificates</b>	
cUPC listed	✓

Matching products	
<b>Matching items</b>	
	Tile flange # 7901120000000000 Universal
	Waste and overflow # 7902500000010000 Universal
	Support frame # 7901330000000000 D-Code
	Bathtub anchors # 7901030000000000 Universal
	Waste and overflow # 792821 Universal
	Waste and overflow # 792825 Universal

Features	
Includes support frame	✓

You can find more information here

<https://pro.duravit.us/p/7003390000000090>