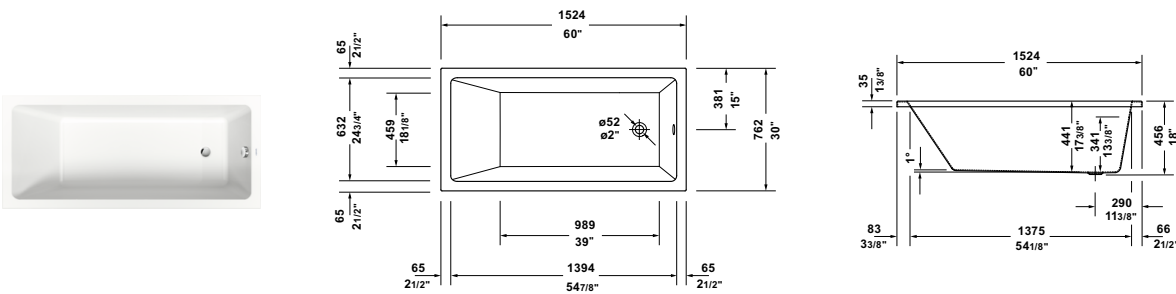


Built-in bathtub



Basic information

Long description	Duravit Duravit No.1 Built-in bathtub 60 "x30 " White, drop-in, Material: Sanitary acrylic, Rectangular, Number of backrests: 1, Drain orientation: Foot end, Overflow – 700697000000090
------------------	--

Description texts

Tender text	Duravit Duravit No.1 Built-in bathtub White 60 "x30 ", Designer: Duravit, Shape: Rectangular, Sanitary acrylic, Installation Type: drop-in, Number of backrests: 1, Position of backrest: Variable, Overflow, Overflow type: Rotary eccentric, Overflow position: Foot end, Drain orientation: Foot end, White, EAN No.: 4067116475579, Article weight: 57.982 lb, Capacity gal: 39 gal, Dimensions (Width / Length x Depth/width x Height): 60 " x 30 " x 16 1/2 ", Article No.: 700697000000090
-------------	---

Features

Installation	
Installation Type	Undermount installation
Position of backrest	Variable
Capacity gal	39 gal
Material	
Material	Sanitary acrylic
color	
color value	White
Gloss level	Gloss
Overflow	
Overflow type	Rotary eccentric

Specifications

Width / Length	60 "
Depth/width	30 "
Height	16 1/2 "

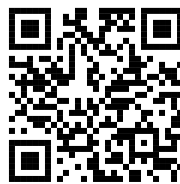
Logistics

Article weight	57.982 lb
----------------	-----------

Matching products

Matching items	
	Bathtub feet # 790164 Universal
	Waste and overflow # 792821 Universal
	Waste and overflow # 792824 Universal

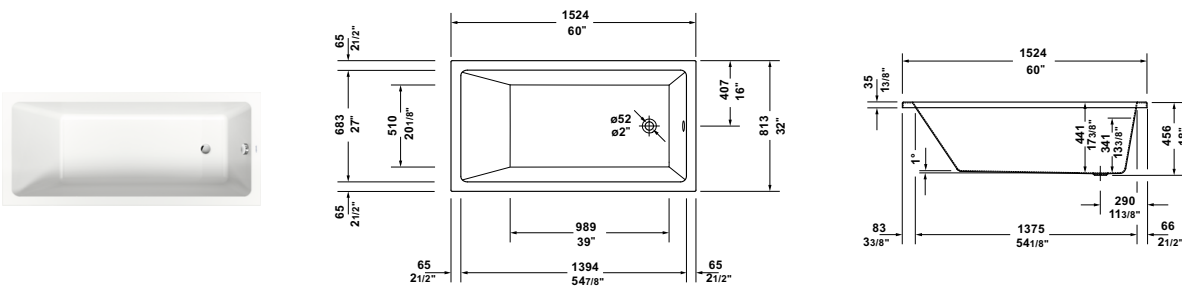
You can find more information here



<https://pro.duravit.us/p/700697000000090>

All drawings contain the necessary measurements which are subject to standard tolerances. They are stated in mm and are non-binding. Exact measurements, in particular for customised installation scenarios, can only be taken from the finished piece.

Built-in bathtub



Basic information

Long description	Duravit Duravit No.1 Built-in bathtub 60 "x32 " White, drop-in, Material: Sanitary acrylic, Rectangular, Number of backrests: 1, Drain orientation: Foot end, Overflow – 700698000000090
------------------	--

Description texts

Tender text	Duravit Duravit No.1 Built-in bathtub White 60 "x32 ", Designer: Duravit, Shape: Rectangular, Sanitary acrylic, Installation Type: drop-in, Number of backrests: 1, Position of backrest: Variable, Overflow, Overflow type: Rotary eccentric, Overflow position: Foot end, Drain orientation: Foot end, White, EAN No.: 4067116475586, Article weight: 64.154 lb, Capacity gal: 44 gal, Dimensions (Width / Length x Depth/width x Height): 60 x 32 x 18 ", Article No.: 700698000000090
-------------	---

Features

Installation	
Installation Type	Undermount installation
Position of backrest	Variable
Capacity gal	44 gal
Material	
Material	Sanitary acrylic
color	
color value	White
Gloss level	Gloss
Overflow	
Overflow type	Rotary eccentric

Specifications

Width / Length	60 "
Depth/width	32 "
Height	18 "

Logistics

Article weight	64.154 lb
----------------	-----------

Matching products

Matching items	
	Waste and overflow # 792824 Universal
	Waste and overflow # 792821 Universal
	Bathtub feet # 790164 Universal

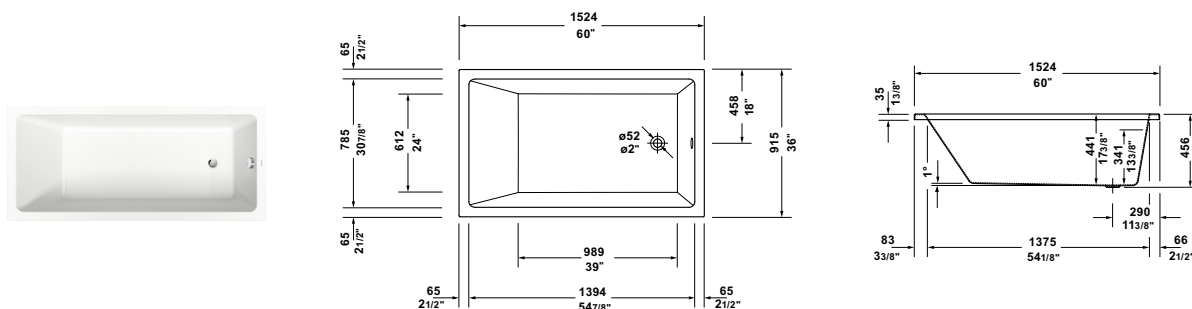
You can find more information here



<https://pro.duravit.us/p/700698000000090>

All drawings contain the necessary measurements which are subject to standard tolerances. They are stated in mm and are non-binding. Exact measurements, in particular for customised installation scenarios, can only be taken from the finished piece.

Built-in bathtub



Basic information	
Long description	Duravit Duravit No.1 Built-in bathtub 60 "x36 " White, drop-in, Material: Sanitary acrylic, Rectangular, Number of backrests: 1, Drain orientation: Foot end, Overflow – 700699000000090

Matching products	
Matching items	
	Waste and overflow # 792821 Universal
	Waste and overflow # 792824 Universal
	Bathtub feet # 790164 Universal

Features	
Installation	
Installation Type	Undermount installation
Position of backrest	Variable
Capacity gal	54 gal
Material	
Material	Sanitary acrylic
color	
color value	White
Gloss level	Gloss
Overflow	
Overflow type	Rotary eccentric

Description texts	
Tender text	Duravit Duravit No.1 Built-in bathtub White 60 "x36 ", Designer: Duravit, Shape: Rectangular, Sanitary acrylic, Installation Type: drop-in, Number of backrests: 1, Position of backrest: Variable, Overflow, Overflow type: Rotary eccentric, Overflow position: Foot end, Drain orientation: Foot end, White, EAN No.: 4067116475593, Article weight: 75.398 lb, Capacity gal: 54 gal, Dimensions (Width / Length x Depth/width x Height): 60 " x 36 " x 16 1/2 ", Article No.: 700699000000090

Specifications	
Width / Length	60 "
Depth/width	36 "
Height	16 1/2 "

Logistics	
Article weight	75.398 lb

You can find more information here

<https://pro.duravit.us/p/700699000000090>