

RP WASHLET®+ RW Wall-Hung Toilet, 1.28 GPF & 0.9 GPF

FEATURES

RP Bowl

- DYNAMAX TORNADO FLUSH® system, high efficiency (1.28GPF/0.9GPF)
- CEFIONTECT® ceramic glaze minimizes waste from sticking to porous ceramic surfaces
- Universal Height

WASHLET+ RW

- Auto Flush
- Touchless auto open/close lid
- EWATER+® auto-cleans wand and bowl after every use
- PREMIST® automatically mists the bowl before each use
- Gentle aerated, warm water, front and rear spray with adjustable pressure and oscillating pulsating features
- Adjustable variable temperature for spray and seat
- Automatic air deodorizer
- Multifunction remote control with personalized memory settings for up to 4 users
- Warm air dryer with five variable temperature settings
- Night light illuminates the side and the inside of the bowl

DuoFit In-Wall Tank

- Dual flushing system, high-efficiency
- (1.28 GPF/4.8 LPF & 0.9 GPF/3.4 LPF) Avg. flush 1.1 GPF
- Adjustable 15"-19" mounting height
- Saves up to 9" of floor space compared to standard floor-mounted toilet
- Supports up to 880lbs
- Commercial 2" x 6" or optional residential installation with 2" x 4" wall studs with waste outlet kit

COMPONENTS

- **CT447CFG60**
RP Wall-Hung Toilet
- **SW4547AT60(N)**
WASHLET+ RW
- **WT173MA**
In-Wall Tank System (1.28 GPF/0.9 GPF)
- **YT930** – For #MS / **YT970** – For #MBL and #MW
Round Push Plate

Available Options

- **YT920 (#WH, #MS)**
Basic Square Push Plate – (White Matte, Matte Silver)
- **YT930 (#WH, #MS)**
Basic Round Push Plate – (White Matte, Matte Silver)
- **YT970 (#SS, #B, #W, #)**
Round Push Plate (Stainless Steel, Black, White, Nickel)
- **YT980 (#SS)**
Square Push Plate (Stainless Steel)



**DYNAMAX
TORNADO FLUSH**



AUTO FLUSH



CEFIONTECT



SKIRTED DESIGN



UNIVERSAL HEIGHT



EWATER+

COLORS/FINISHES

- **#MS**
Bowl and Washlet in #01 Cotton with YT930#MS
Matte Silver Push Plate

Made to Order

- **#MBL**
Bowl and Washlet in #MBL Matte Black with
YT970#B Black Push Plate
- **#MW**
Bowl and Washlet in #MW Matte White with
YT970#W White Push Plate

CODES/STANDARDS

- Meets and exceeds ASME A112.19.2/CSA B45.1
- Certifications: IAPMO(cUPC®), EPA WaterSense, State of Massachusetts, and others
- Code Compliance: UPC, IPC, NSPC, NPC Canada, and others
- Legislative Compliance: California AB715, California Green Building Code, City of Los Angeles Water Efficiency Ordinance, and others
- ADA compliant
- Complies with CA Prop 65 warning requirements



CWT4474547CMFG(N)A

RP WASHLET®+ RW Wall-Hung Toilet, 1.28 GPF & 0.9 GPF

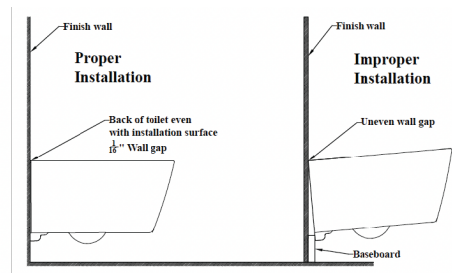
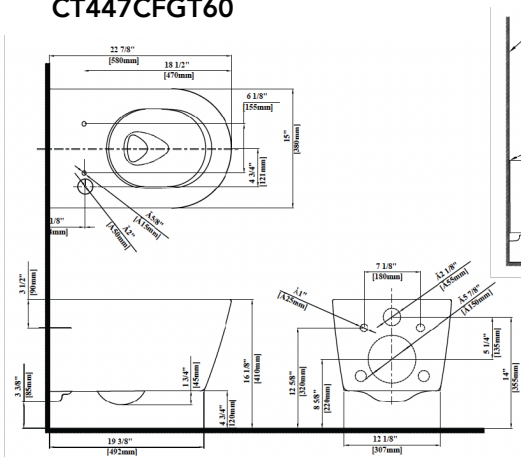
SPECIFICATIONS & INSTALLATION NOTES

| | SW4547AT60 |
|----------------------------|--|
| Power Rating | AC 120V-60Hz, 1282W |
| Flush System | 2.95 ft/120 cm Length 3 Wire / 4 Pin Plug Harness |
| Water Feature (Flow Rates) | Rear: 9.1-14.5 oz/min |
| | Front: 9.8-14.5 oz/min |
| | Soft Rear: 9.1-14.5 oz min |
| Washing Spray Temp. | Min: 86°F/30°C Max: 104°F/40°C |
| Safety Device | Thermal Fuse |
| Air Dryer Temp. | Min: About 95°F/35°C Max: About 140°F/60°C |
| Dryer Air Capacity | 10.24 ft ³ /min |
| Seat Warming Temp. | Min: 82°F/28°C Max: 97°F/36°C |
| Water Supply Pressure | Min: 7.25 psi Max: 108.75 psi |
| Ambient Temp. | Min: 32°F/0°C Max: 104°F/40°C |
| Warranty | One Year Limited Warranty |
| Water Pressure | Min: 7.25 PSI (0.05MPa) Flowing Max: 108.75 PSI (0.75MPa) Static |
| Shipping Weight | 16 lbs |
| Shipping Dimensions | 26" L x 17-11/16" W x 7-3/16" H |

| | CT447CFG60 | WT173MA |
|---------------------|--|--|
| Water Use | 1.28 GPF & 0.9 GPF (4.8 LPF & 3.4 LPF) | 1.28 GPF & 0.9 GPF (4.8 LPF & 3.4 LPF) |
| Flush System | DYNAMAX TORNADO FLUSH® | Dual-Max® |
| Min. Water Pressure | 8 psi (static) | 8 psi (static) |
| Water Surface | 5-1/2" X 4-1/8" | |
| Trap Diameter | 2-1/8" | |
| Installation Height | 15" to 19" | 15" to 19" |
| Trap Seal | 2-1/8" | |
| Warranty | One Year Limited Warranty | One Year Limited Warranty |
| Material | Vitreous China | Various |
| Shipping Weight | 76 lbs. | 43 lbs |
| Shipping Dimensions | 16" L x 14"W x 24" H | 47-1/2" x 26" x 6" |

DIMENSIONS

CT447CFG60



CT447CFG60

- This universal height, high efficiency DYNAMAX TORNADO flushing system toilet shall be 1.28 GPF / 0.9 GPF (4.8 LPF / 3.4 LPF). Toilet shall have CEFIONTECT ceramic glaze. Toilet shall be mounted to in-wall tank system, elongated front bowl and wall-mounted push-button type trip lever. Toilet shall be TOTO Model CT447CFG_____.

RW WASHLET

- WASHLET RW may not fit certain toilet bowl designs
- If possible, with your order, please include your model number (from the underside of the tank lid)
- It is highly recommended to use a surge protector to prevent damage in the event of a power surge

DuoFit In-Wall Tank

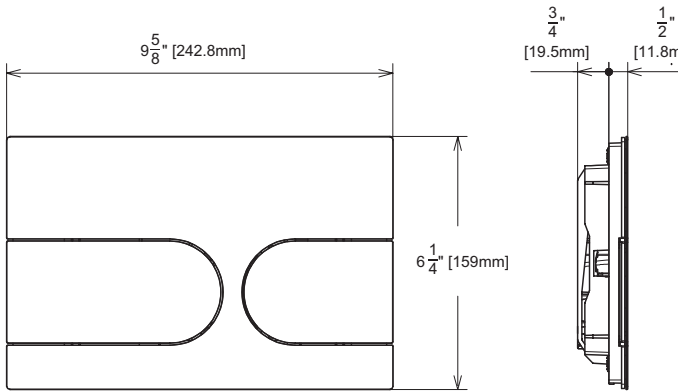
- Adequate structural bracing is required

CWT4474547CMFG(N)A

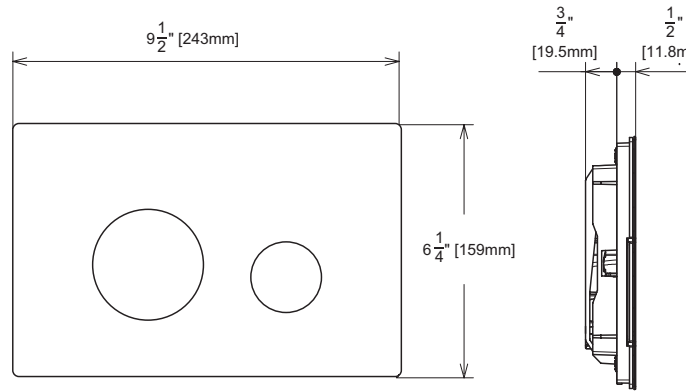
RP WASHLET®+ RW Wall-Hung Toilet, 1.28 GPF & 0.9 GPF

DIMENSIONS

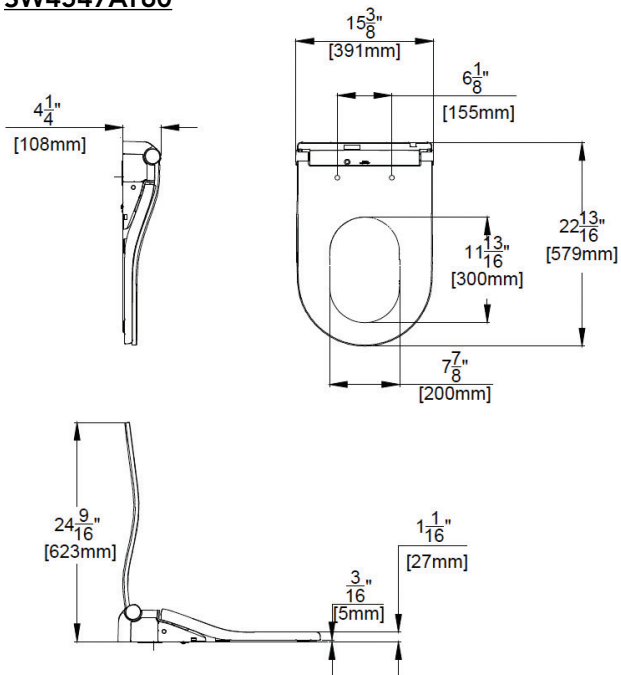
YT970



YT930



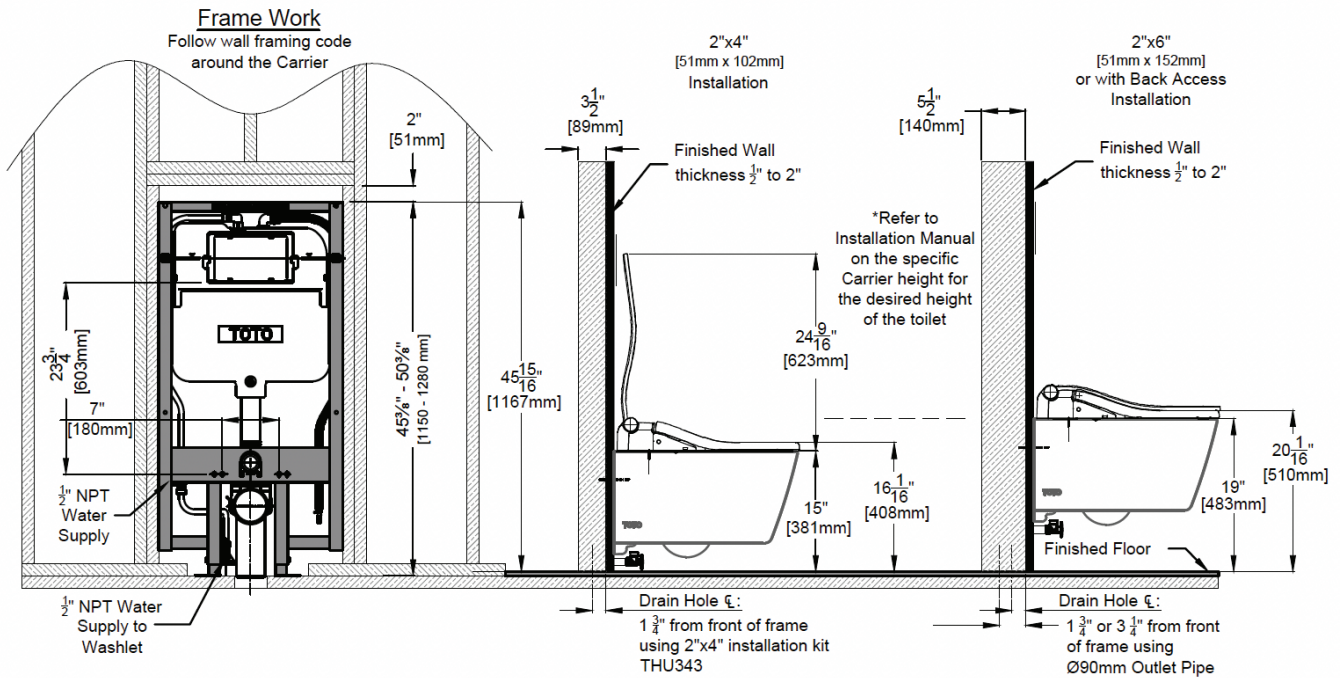
SW4547AT60



CWT4474547CMFG(N)A

RP WASHLET®+ RW Wall-Hung Toilet, 1.28 GPF & 0.9 GPF

WT173MA



TOTO

These dimensions and specifications are subject to change without notice