

## Veil® | K-1381

One-piece elongated toilet with skirted trapway, dual-flush

### Features

- One-piece toilets integrate the tank and bowl into a seamless, easy-to-clean design
- Elongated bowl offers added room and comfort
- Dual flush offers a choice of 0.8 or 1.28 gpf (3.0 or 4.8 lpf)
- Left-hand Polished Chrome trip lever
- 2-1/8" (54 mm) glazed trapway
- Skirted trapway simplifies cleaning
- Quiet-Close™ elongated lid and seat prevents slamming



### Sustainability



### Available Colors/Finishes

*Color tiles intended for reference only.*

- 0 White
- HW1 Honed White
- 7 Black Black
- HDN Honed Dune
- HB1 Honed Black



## Codes/Standards

*Accessibility standards may require controls to be located on the open side of the toilet.*

*Plumbing codes may require elongated toilets and elongated, open-front seats in public bathrooms.*



ASME A112.19.2/CSA B45.1  
 ASME A112.19.14  
 DOE - Energy Policy Act 1992  
 EPA WaterSense®  
 California Energy Commission (CEC)

## Technical Information

Rough-in:	Standard 12" (305mm)
Flush Type:	Class Five
Flush Rate:	0.8 or 1.28 gpf (3.0 or 4.8 lpf)
Bowl Shape:	Elongated
Waste Outlet:	Floor
Trapway Size:	2-1/8" (54 mm)
Trapway Type:	Skirted
Water Surface Size:	9" x 7-1/4" (229 mm x 184 mm)
Rim to Water Surface:	5-3/8" (137 mm)

## Pressure/Fixture Supply Requirements

Minimum Flowing Pressure:	15 psi (103.4 kPa)
Minimum Flow Rate:	1 gpm (3.8 l/min)

## Recommended Products/Accessories

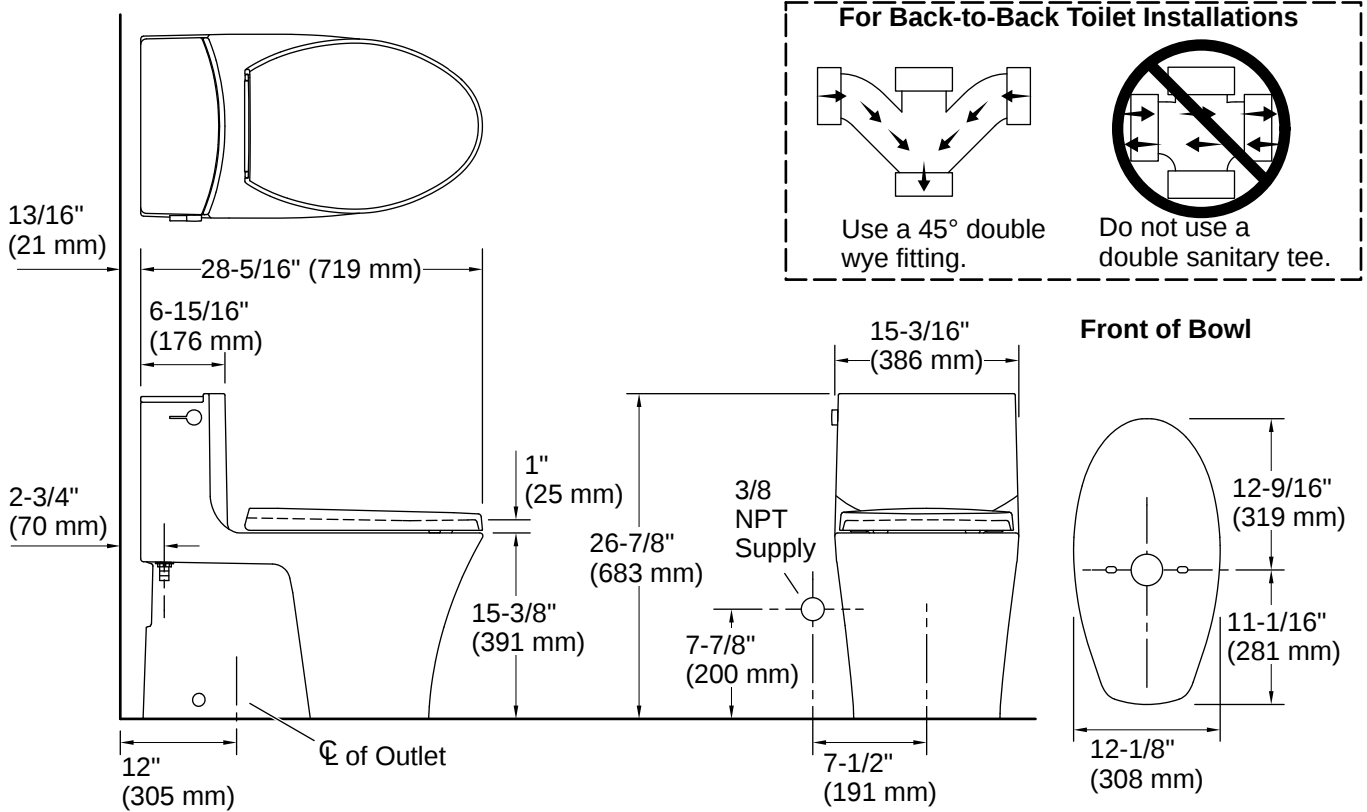
- 1023457 Toilet Wax Ring And Hardware Kit
- 1265114 12" Toilet Supply Line
- K-23726 Drain treatment
- 1362736 Mounting Plate Kit Exposed Wire
- K-30780 Quiet-Close™ elongated toilet seat
- K-39525-L Left-hand trip lever

## Warranty

*See website for detailed warranty information.*

KOHLER® Toilets and Seats Limited Warranty





### Installation

- Standard 12" (305 mm) rough-in
- Requires mounting plate for heated seat installation (sold separately)

### Installation Notes

*Install this product according to the installation instructions.*

Product dimensions are nominal and may vary per ASME A112.19.2 tolerances.

